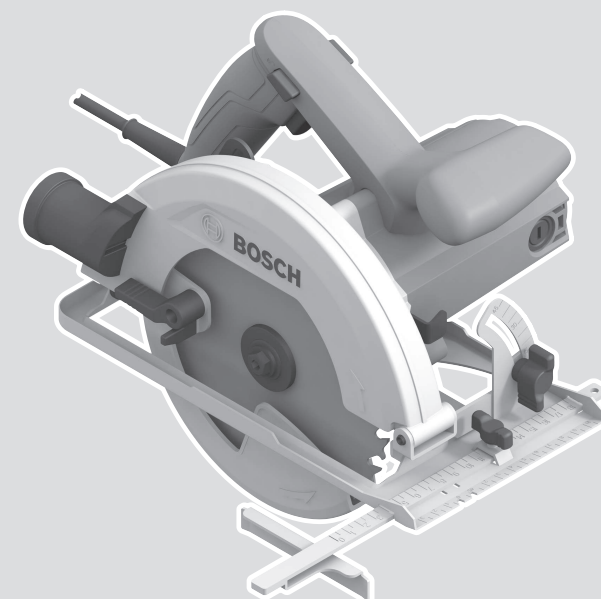




GKS 130 Professional



Robert Bosch Power Tools GmbH
70538 Stuttgart
GERMANY

www.bosch-pt.com

1 609 92A 8C7 (2022.11) 0 / 68

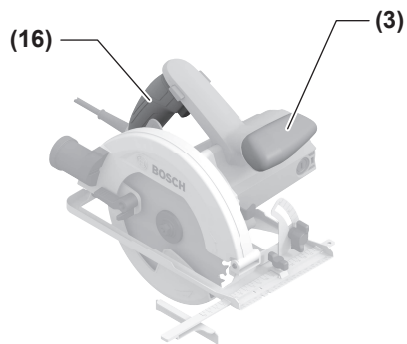
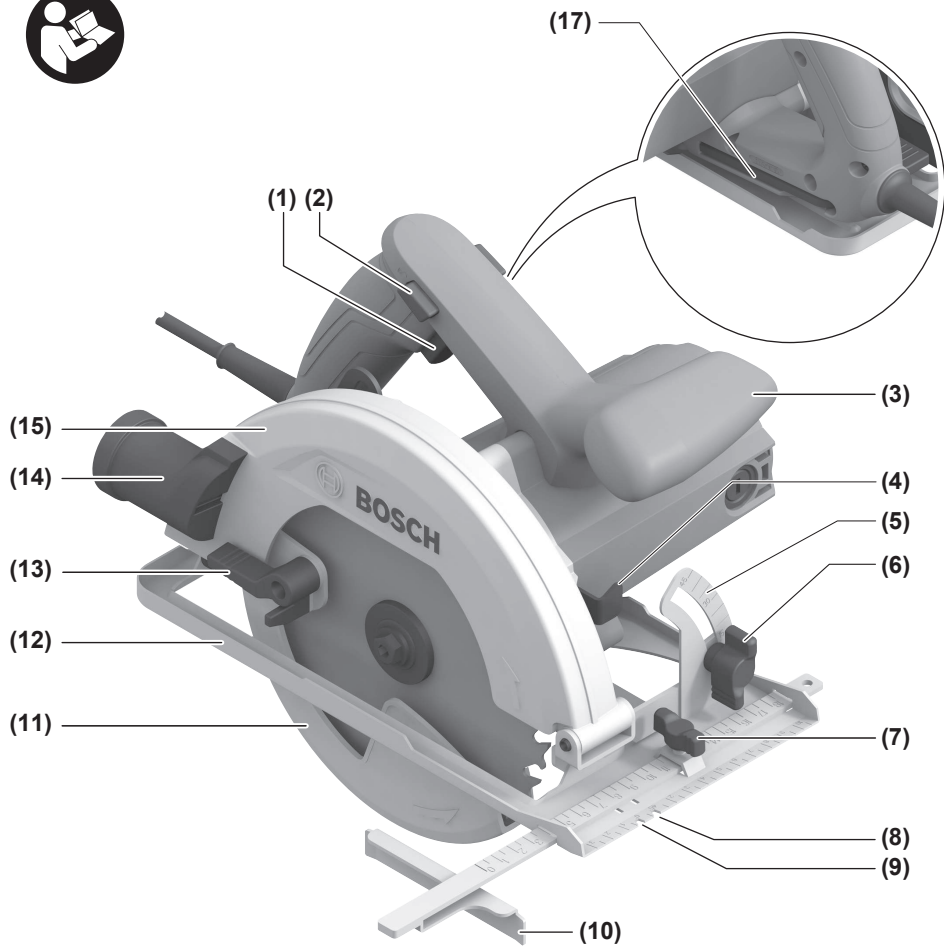


1 609 92A 8C7

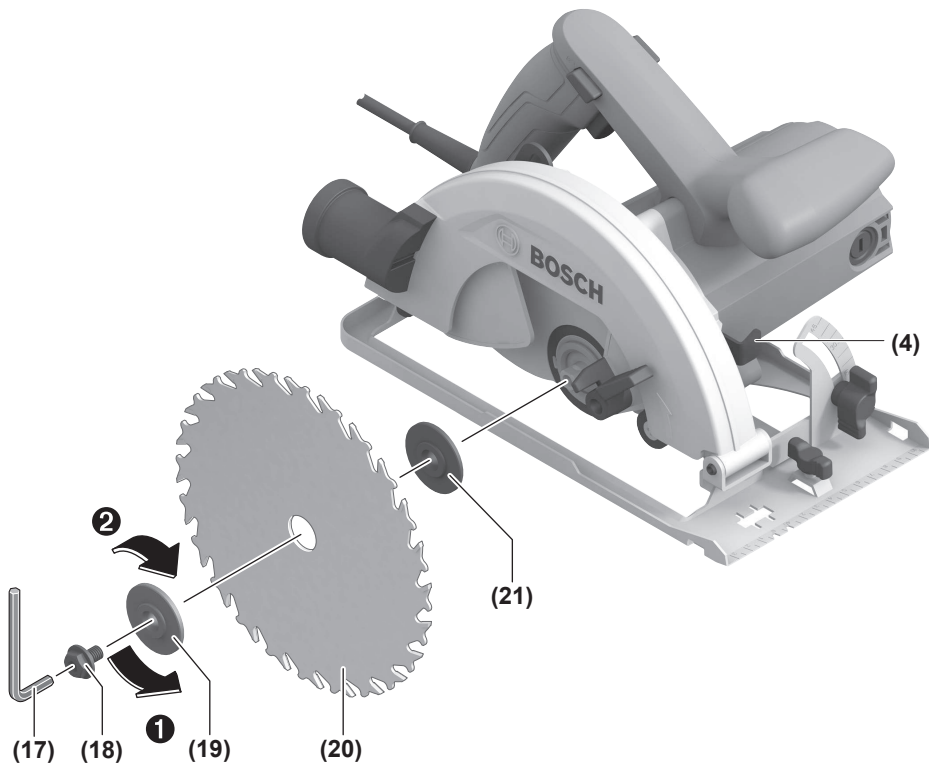
- en Original instructions
- fr Notice originale
- pt Manual original
- zh 正本使用说明书
- zh 原始使用說明書
- th หนังสือคู่มือการใช้งานฉบับต้นแบบ
- id Petunjuk-Petunjuk untuk Penggunaan Orisinal
- vi Bản gốc hướng dẫn sử dụng
- ar دليل التشغيل الأصلي
- fa دفترچه راهنمای اصلی

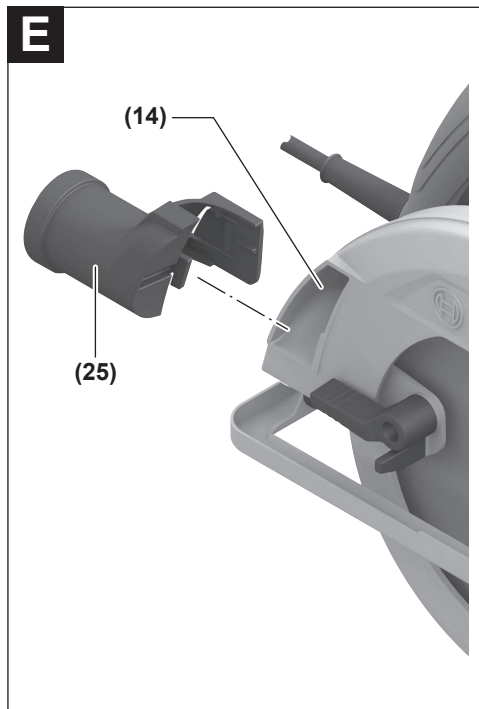
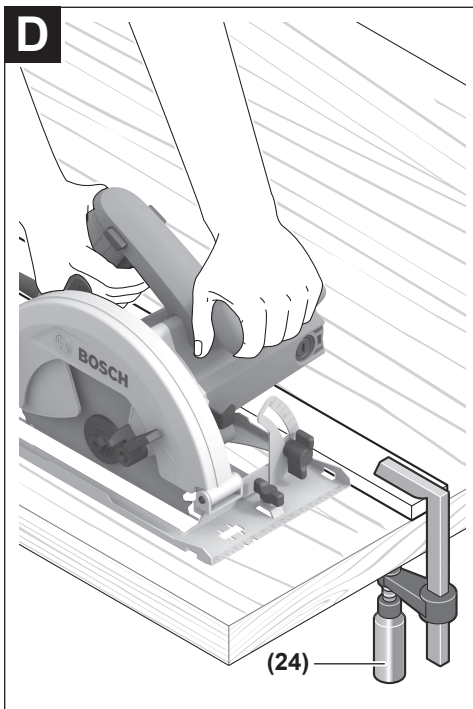
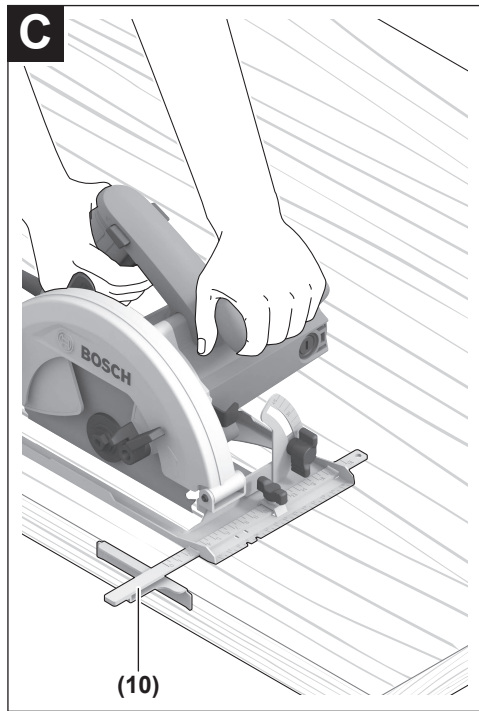
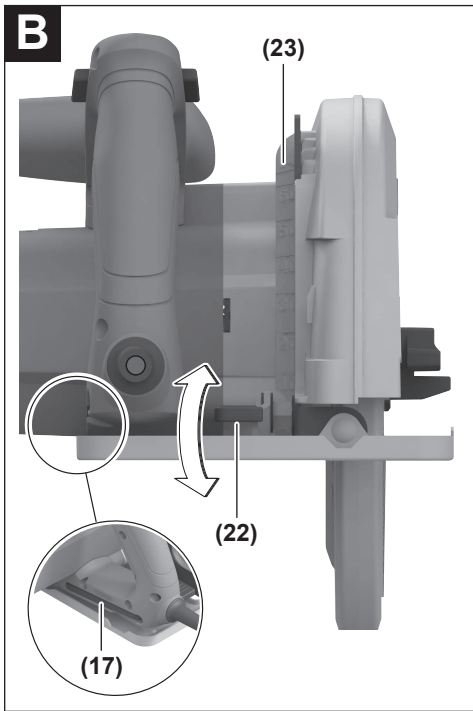


English	Page	6
Français	Page	11
Português	Página	17
中文	頁	24
繁體中文	頁	29
ไทย	หน้า	33
Bahasa Indonesia	Halaman	40
Tiếng Việt	Trang	46
عربي	الصفحة	53
فارسی	صفحه	59



GKS 130

A



English

Safety Instructions

General Power Tool Safety Warnings

⚠ WARNING Read all safety warnings, instructions, illustrations and specifications provided with this power tool. Failure to follow all instructions listed below may result in electric shock, fire and/or serious injury.

Save all warnings and instructions for future reference.

The term "power tool" in the warnings refers to your mains-operated (corded) power tool or battery-operated (cordless) power tool.

Work area safety

- ▶ **Keep work area clean and well lit.** Cluttered or dark areas invite accidents.
- ▶ **Do not operate power tools in explosive atmospheres, such as in the presence of flammable liquids, gases or dust.** Power tools create sparks which may ignite the dust or fumes.
- ▶ **Keep children and bystanders away while operating a power tool.** Distractions can cause you to lose control.

Electrical safety

- ▶ **Power tool plugs must match the outlet. Never modify the plug in any way. Do not use any adapter plugs with earthed (grounded) power tools.** Unmodified plugs and matching outlets will reduce risk of electric shock.
- ▶ **Avoid body contact with earthed or grounded surfaces, such as pipes, radiators, ranges and refrigerators.** There is an increased risk of electric shock if your body is earthed or grounded.
- ▶ **Do not expose power tools to rain or wet conditions.** Water entering a power tool will increase the risk of electric shock.
- ▶ **Do not abuse the cord. Never use the cord for carrying, pulling or unplugging the power tool. Keep cord away from heat, oil, sharp edges or moving parts.** Damaged or entangled cords increase the risk of electric shock.
- ▶ **When operating a power tool outdoors, use an extension cord suitable for outdoor use.** Use of a cord suitable for outdoor use reduces the risk of electric shock.
- ▶ **If operating a power tool in a damp location is unavoidable, use a residual current device (RCD) protected supply.** Use of an RCD reduces the risk of electric shock.

Personal safety

- ▶ **Stay alert, watch what you are doing and use common sense when operating a power tool. Do not use a power tool while you are tired or under the influence of drugs, alcohol or medication.** A moment of inatten-

tion while operating power tools may result in serious personal injury.

- ▶ **Use personal protective equipment. Always wear eye protection.** Protective equipment such as a dust mask, non-skid safety shoes, hard hat or hearing protection used for appropriate conditions will reduce personal injuries.
- ▶ **Prevent unintentional starting. Ensure the switch is in the off-position before connecting to power source and/or battery pack, picking up or carrying the tool.** Carrying power tools with your finger on the switch or energising power tools that have the switch on invites accidents.
- ▶ **Remove any adjusting key or wrench before turning the power tool on.** A wrench or a key left attached to a rotating part of the power tool may result in personal injury.
- ▶ **Do not overreach. Keep proper footing and balance at all times.** This enables better control of the power tool in unexpected situations.
- ▶ **Dress properly. Do not wear loose clothing or jewellery. Keep your hair and clothing away from moving parts.** Loose clothes, jewellery or long hair can be caught in moving parts.
- ▶ **If devices are provided for the connection of dust extraction and collection facilities, ensure these are connected and properly used.** Use of dust collection can reduce dust-related hazards.
- ▶ **Do not let familiarity gained from frequent use of tools allow you to become complacent and ignore tool safety principles.** A careless action can cause severe injury within a fraction of a second.

Power tool use and care

- ▶ **Do not force the power tool. Use the correct power tool for your application.** The correct power tool will do the job better and safer at the rate for which it was designed.
- ▶ **Do not use the power tool if the switch does not turn it on and off.** Any power tool that cannot be controlled with the switch is dangerous and must be repaired.
- ▶ **Disconnect the plug from the power source and/or remove the battery pack, if detachable, from the power tool before making any adjustments, changing accessories, or storing power tools.** Such preventive safety measures reduce the risk of starting the power tool accidentally.
- ▶ **Store idle power tools out of the reach of children and do not allow persons unfamiliar with the power tool or these instructions to operate the power tool.** Power tools are dangerous in the hands of untrained users.
- ▶ **Maintain power tools and accessories. Check for misalignment or binding of moving parts, breakage of parts and any other condition that may affect the power tool's operation. If damaged, have the power tool repaired before use.** Many accidents are caused by poorly maintained power tools.

- ▶ **Keep cutting tools sharp and clean.** Properly maintained cutting tools with sharp cutting edges are less likely to bind and are easier to control.
- ▶ **Use the power tool, accessories and tool bits etc. in accordance with these instructions, taking into account the working conditions and the work to be performed.** Use of the power tool for operations different from those intended could result in a hazardous situation.
- ▶ **Keep handles and grasping surfaces dry, clean and free from oil and grease.** Slippery handles and grasping surfaces do not allow for safe handling and control of the tool in unexpected situations.

Service

- ▶ **Have your power tool serviced by a qualified repair person using only identical replacement parts.** This will ensure that the safety of the power tool is maintained.

Safety instructions for circular saws

Cutting procedures

- ▶  **DANGER: Keep hands away from cutting area and the blade. Keep your second hand on auxiliary handle, or motor housing.** If both hands are holding the saw, they cannot be cut by the blade.
- ▶ **Do not reach underneath the workpiece.** The guard cannot protect you from the blade below the workpiece.
- ▶ **Adjust the cutting depth to the thickness of the workpiece.** Less than a full tooth of the blade teeth should be visible below the workpiece.
- ▶ **Never hold the workpiece in your hands or across your leg while cutting. Secure the workpiece to a stable platform.** It is important to support the work properly to minimise body exposure, blade binding, or loss of control.
- ▶ **Hold the power tool by insulated gripping surfaces, when performing an operation where the cutting tool may contact hidden wiring or its own cord.** Contact with a "live" wire will also make exposed metal parts of the power tool "live" and could give the operator an electric shock.
- ▶ **When ripping always use a rip fence or straight edge guide.** This improves the accuracy of cut and reduces the chance of blade binding.
- ▶ **Always use blades with correct size and shape (diamond versus round) of arbour holes.** Blades that do not match the mounting hardware of the saw will run off-centre, causing loss of control.
- ▶ **Never use damaged or incorrect blade washers or bolt.** The blade washers and bolt were specially designed for your saw, for optimum performance and safety of operation.

Kickback causes and related warnings

- kickback is a sudden reaction to a pinched, jammed or misaligned saw blade, causing an uncontrolled saw to lift up and out of the workpiece toward the operator;

- when the blade is pinched or jammed tightly by the kerf closing down, the blade stalls and the motor reaction drives the unit rapidly back toward the operator;

- if the blade becomes twisted or misaligned in the cut, the teeth at the back edge of the blade can dig into the top surface of the wood causing the blade to climb out of the kerf and jump back toward the operator.

Kickback is the result of saw misuse and/or incorrect operating procedures or conditions and can be avoided by taking proper precautions as given below.

- ▶ **Maintain a firm grip with both hands on the saw and position your arms to resist kickback forces. Position your body to either side of the blade, but not in line with the blade.** Kickback could cause the saw to jump backwards, but kickback forces can be controlled by the operator, if proper precautions are taken.
- ▶ **When blade is binding, or when interrupting a cut for any reason, release the trigger and hold the saw motionless in the material until the blade comes to a complete stop. Never attempt to remove the saw from the work or pull the saw backward while the blade is in motion or kickback may occur.** Investigate and take corrective actions to eliminate the cause of blade binding.
- ▶ **When restarting a saw in the workpiece, centre the saw blade in the kerf so that the saw teeth are not engaged into the material.** If a saw blade binds, it may walk up or kickback from the workpiece as the saw is restarted.
- ▶ **Support large panels to minimise the risk of blade pinching and kickback.** Large panels tend to sag under their own weight. Supports must be placed under the panel on both sides, near the line of cut and near the edge of the panel.
- ▶ **Do not use dull or damaged blades.** Unsharpened or improperly set blades produce narrow kerf causing excessive friction, blade binding and kickback.
- ▶ **Blade depth and bevel adjusting locking levers must be tight and secure before making the cut.** If blade adjustment shifts while cutting, it may cause binding and kickback.
- ▶ **Use extra caution when sawing into existing walls or other blind areas.** The protruding blade may cut objects that can cause kickback.

Lower guard function

- ▶ **Check the lower guard for proper closing before each use. Do not operate the saw if the lower guard does not move freely and close instantly. Never clamp or tie the lower guard into the open position.** If the saw is accidentally dropped, the lower guard may be bent. Raise the lower guard with the retracting handle and make sure it moves freely and does not touch the blade or any other part, in all angles and depths of cut.
- ▶ **Check the operation of the lower guard spring. If the guard and the spring are not operating properly, they must be serviced before use.** Lower guard may operate

sluggishly due to damaged parts, gummy deposits, or a build-up of debris.

- ▶ **The lower guard may be retracted manually only for special cuts such as "plunge cuts" and "compound cuts". Raise the lower guard by the retracting handle and as soon as the blade enters the material, the lower guard must be released.** For all other sawing, the lower guard should operate automatically.
- ▶ **Always observe that the lower guard is covering the blade before placing the saw down on bench or floor.** An unprotected, coasting blade will cause the saw to walk backwards, cutting whatever is in its path. Be aware of the time it takes for the blade to stop after switch is released.

Additional safety warnings

- ▶ **Do not allow the chip ejector to come into contact with your hands.** You may be injured by rotating parts.
- ▶ **Do not use the saw above the level of your head.** Doing so will mean you have inadequate control of the power tool.
- ▶ **Use suitable detectors to determine if utility lines are hidden in the work area or call the local utility company for assistance.** Contact with electric lines can lead to fire and electric shock. Damaging a gas line can lead to explosion. Penetrating a water line causes property damage or may cause an electric shock.
- ▶ **Hold the power tool firmly with both hands and make sure you have a stable footing.** The power tool can be more securely guided with both hands.
- ▶ **Do not operate the power tool when stationary.** It is not suitable for operation with a saw table.
- ▶ **When performing plunge cuts which are not right-angled, secure the guide plate of the saw so that it will not shift sideways.** In the event of a sideways shift, the saw blade may become jammed, which could lead to kick-back.
- ▶ **Secure the workpiece.** A workpiece clamped with clamping devices or in a vice is held more secure than by hand.
- ▶ **Always wait until the power tool has come to a complete stop before placing it down.** The application tool can jam and cause you to lose control of the power tool.
- ▶ **Do not use HSS saw blades.** Such saw blades can easily break.
- ▶ **Do not saw any ferrous metals.** Hot chips may ignite the dust extractor.
- ▶ **Wear a dust mask.**

Products sold in GB only:

Your product is fitted with an BS 1363/A approved electric plug with internal fuse (ASTA approved to BS 1362).

If the plug is not suitable for your socket outlets, it should be cut off and an appropriate plug fitted in its place by an authorised customer service agent. The replacement plug should have the same fuse rating as the original plug.

The severed plug must be disposed of to avoid a possible shock hazard and should never be inserted into a mains socket elsewhere.

Product Description and Specifications



Read all the safety and general instructions.

Failure to observe the safety and general instructions may result in electric shock, fire and/or serious injury.

Please observe the illustrations at the beginning of this operating manual.

Intended use

The power tool is intended for making straight cuts in wood with and against the grain and mitre cuts in wood while resting firmly against the workpiece.

Product Features

The numbering of the product features refers to the diagram of the power tool on the graphics page.

- (1) On/Off switch
- (2) Lock-off function for On/Off switch
- (3) Auxiliary handle (insulated gripping surface)^{a)}
- (4) Spindle lock button
- (5) Scale for mitre/bevel angles
- (6) Wing bolt for mitre/bevel angle preselection
- (7) Wing bolt for parallel guide
- (8) 45° cut mark
- (9) 0° cut mark
- (10) Parallel guide
- (11) Retracting blade guard
- (12) Base plate
- (13) Adjusting lever for retracting blade guard
- (14) Chip ejector
- (15) Protective guard
- (16) Handle (insulated gripping surface)
- (17) Hex key^{a)}
- (18) Clamping bolt with washer
- (19) Clamping flange
- (20) Circular saw blade^{a)}
- (21) Saw spindle with mounting flange
- (22) Clamping lever for cutting depth preselection
- (23) Cutting depth scale
- (24) Pair of screw clamps^{b)}

(25) Dust extraction adapter³⁾

- a) **Accessories shown or described are not included with the product as standard. You can find the complete selection of accessories in our accessories range.**
- b) **Commercially available (not included in the scope of delivery)**

Technical data

Hand-held circular saw		GKS 130
Article number		3 601 FC3 0..
Rated power input	W	1300
No-load speed	min ⁻¹	5800
Max. cutting depth with 184 mm saw blade diameter		
– at a 0° mitre/bevel angle	mm	64
– at a 45° mitre/bevel angle	mm	45
Spindle lock		●
Base plate dimensions	mm	290 x 150
Max. saw blade diameter	mm	184
Min. saw blade diameter	mm	184
Max. base blade thickness	mm	2.0
Locating bore	mm	20
Weight according to EPTA-Procedure 01:2014	kg	3.9
Protection class		□ / II

The specifications apply to a rated voltage [U] of 230 V. These specifications may vary at different voltages and in country-specific models.

Fitting

- **Only use saw blades the maximum permitted speed of which is higher than the no-load speed of the power tool.**

Inserting/changing the circular saw blade

- **Pull the plug out of the socket before carrying out any work on the power tool.**
- **Wear protective gloves when fitting the saw blade.**
Danger of injury when touching the saw blade.
- **Do not use abrasive wheels as the application tool under any circumstances.**

Removing the saw blade (see figure A)

To change tools, we recommend that you place the power tool down on the front side of the motor housing.

- Press and hold the spindle lock button (4).
- **Do not press the spindle lock button (4) while the saw spindle is moving.** The power tool may become damaged if this happens.
- Use the hex key (17) to undo the clamping bolt (18) in rotational direction ⚙.
- Swing the retracting blade guard (11) back and hold on to it firmly.

- Remove the clamping flange (19) and the saw blade (20) from the saw spindle with mounting flange (21).

Selecting the saw blade

You will find an overview of recommended saw blades at the end of these operating instructions.

Fitting the Saw Blade (see figure A)

To change tools, we recommend that you place the power tool down on the front side of the motor housing.

- Clean the saw blade (20) and all the clamping elements to be fitted.
- Swing the retracting blade guard (11) back and hold on to it firmly.
- Place the saw blade (20) on the saw spindle with mounting flange (21). The cutting direction of the teeth (direction of the arrow on the saw blade) must match the rotational direction of the arrow on the protective guard (15).
- Attach the clamping flange (19) and screw in the clamping bolt (18) in rotational direction ⚙. Ensure that the saw spindle with mounting flange (21) and clamping flange (19) are installed in the correct position.
- Press and hold the spindle lock button (4).
- Use the hex key (17) to tighten the clamping bolt (18) in rotational direction ⚙. The tightening torque should be 6–9 Nm, which corresponds to hand-tight plus ¼ turn.

Dust/chip extraction

The dust from materials such as lead paint, some types of wood, minerals and metal can be harmful to human health. Touching or breathing in this dust can trigger allergic reactions and/or cause respiratory illnesses in the user or in people in the near vicinity.

Certain dusts, such as oak or beech dust, are classified as carcinogenic, especially in conjunction with wood treatment additives (chromate, wood preservative). Materials containing asbestos may only be machined by specialists.

- Use a dust extraction system that is suitable for the material wherever possible.
- Provide good ventilation at the workplace.
- It is advisable to wear a P2 filter class breathing mask.

The regulations on the material being machined that apply in the country of use must be observed.

- **Avoid dust accumulation at the workplace.** Dust can easily ignite.

Fitting the dust extraction adapter (see figure E)

Push the dust extraction adapter (25) onto the chip ejector (14) until it clicks into place.

A dust extraction hose with a diameter of 35 mm can be connected to the dust extraction adapter (25).

- **The dust extraction adapter must only be fitted if an external dust extraction system is connected.** Otherwise the extraction duct can become clogged.
- **No dust bags should be connected to the dust extraction adapter.** Otherwise the extraction system can become clogged.

To ensure optimum extraction, the dust extraction adapter (25) must be cleaned regularly.

External dust extraction

Connect the dust extraction hose to a dust extractor (accessory). You will find an overview of connecting to various dust extractors at the end of these operating instructions.

The power tool can be directly connected to the socket of a Bosch all-purpose dust extractor with remote starter. This dust extractor is started up automatically when the power tool is switched on.

The dust extractor must be suitable for the material being worked.

When extracting dry dust that is especially detrimental to health or carcinogenic, use a special dust extractor.

Operation

- ▶ **Pull the plug out of the socket before carrying out any work on the power tool.**

Operating modes

Setting the Cutting Depth (see figure B)

- ▶ **Adapt the cutting depth to the thickness of the workpiece.** A space of less than the height of one full tooth should be visible under the workpiece.

Loosen the clamping lever (22). For a smaller cutting depth, pull the saw away from the base plate (12); for a larger cutting depth, push the saw towards the base plate (12). Adjust the desired cutting depth at the cutting-depth scale.

Retighten the clamping lever (22).

If you are unable to fully adjust the cutting depth after loosening the clamping lever (22), pull the clamping lever (22) away from the saw and swivel it downwards. Loosen the clamping lever (22) again. Repeat this process until the required cutting depth can be set.

If you are unable to adequately fix the cutting depth after tightening the clamping lever (22), pull the clamping lever (22) away from the saw and swivel it upwards. Loosen the clamping lever (22) again. Repeat this process until the cutting depth is fixed.

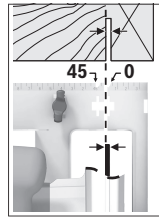
Adjusting the Mitre/Bevel Angle

We recommend that you place the power tool down on the front side of the protective guard (15).

Loosen the wing bolt (6). Swivel the saw to the side. Set the required mitre angle on the scale (5). Retighten the wing bolt (6).

Note: When making mitre cuts, the cutting depth is less than the value shown on the cutting depth scale (23).

Cut marks



The 0° cut mark (9) indicates the position of the saw blade when making a right-angled cut. The 45° cut mark (8) indicates the position of the saw blade when making a 45° cut.

For a precise cut, place the circular saw against the workpiece as shown in the figure. We recommend making a test cut.

Start-up

- ▶ **Pay attention to the mains voltage! The voltage of the power source must match the voltage specified on the rating plate of the power tool. Power tools marked with 230 V can also be operated with 220 V.**
- ▶ **Products that are only sold in AUS and NZ:** Use a residual current device (RCD) with a nominal residual current of 30 mA or less.

Switching on/off

- ▶ **Make sure that you are able to press the On/Off switch without releasing the handle.**

To **start** the power tool, first press the lock-off switch (2), then press and hold the on/off switch (1).

To **switch off** the power tool, release the on/off switch (1).

Note: For safety reasons, the on/off switch (1) cannot be locked; it must remain pressed during the entire operation.

Practical advice

- ▶ **Pull the plug out of the socket before carrying out any work on the power tool.**

The width of cut varies depending on the saw blade used.

Protect saw blades against shock and impact.

Guide the power tool evenly, pushing it gently in the cutting direction in order to achieve a high cut quality. Applying too much pressure will significantly reduce the service life of application tools and can damage the power tool.

The sawing performance and the quality of the cut essentially depend on the condition and the tooth shape of the saw blade. This is why you should only use sharp saw blades that are suitable for the material being machined.

Sawing wood

Choosing the right saw blade depends on the wood type, wood quality and whether cuts with or against the grain are required.

Making cuts in spruce with the grain produces long, spiral-shaped chips.

Beech and oak dust is especially detrimental to health. Therefore, work only with dust extraction.

Sawing with a parallel guide (see figure C)

The parallel guide (10) allows you to make precise cuts along the edge of a workpiece and cut strips with the same dimensions.

Loosen the wing bolt (7) and slide the scale of the parallel guide (10) through the guide in the base plate (12). Adjust the desired cutting width as a scale value at the corresponding (9) or (8) cut mark, see the section "Cut marks".
Tighten the wing bolt (7).

Sawing with an auxiliary guide (see figure D)

For working on large workpieces or for cutting straight edges, you can securely fasten a board or rail to the workpiece as an auxiliary guide. The circular saw can be guided along the path of this auxiliary guide with the base plate.

Maintenance and Service

Maintenance and Cleaning

- ▶ **Pull the plug out of the socket before carrying out any work on the power tool.**
- ▶ **To ensure safe and efficient operation, always keep the power tool and the ventilation slots clean.**

In order to avoid safety hazards, if the power supply cord needs to be replaced, this must be done by **Bosch** or by an after-sales service centre that is authorised to repair **Bosch** power tools.

The retracting blade guard must always be able to move freely and retract automatically. It is therefore important to keep the area around the retracting blade guard clean at all times. Remove dust and chips with a paintbrush.

Non-coated saw blades can be protected against corrosion using a thin layer of acid-free oil. Remove the oil again before sawing as failure to do so will stain the wood.

Resin or glue residue on the saw blade has a detrimental effect on the quality of the cut. You should therefore clean saw blades straight after use.

After-Sales Service and Application Service

Our after-sales service responds to your questions concerning maintenance and repair of your product as well as spare parts. You can find explosion drawings and information on spare parts at: www.bosch-pt.com

The Bosch product use advice team will be happy to help you with any questions about our products and their accessories.

In all correspondence and spare parts orders, please always include the 10-digit article number given on the nameplate of the product.

Malaysia

Robert Bosch Sdn. Bhd. (220975-V) PT/SMY
No. 8A, Jalan 13/6
46200 Petaling Jaya
Selangor
Tel.: (03) 79663194
Toll-Free: 1800 880188
Fax: (03) 79583838
E-Mail: kiathoe.chong@my.bosch.com
www.bosch-pt.com.my

You can find further service addresses at:

www.bosch-pt.com/serviceaddresses

Disposal

The power tool, accessories and packaging should be recycled in an environmentally friendly manner.



Do not dispose of power tools along with household waste.

Français

Consignes de sécurité

Avertissements de sécurité généraux pour l'outil électrique

AVERTISSEMENT Lire tous les avertissements de sécurité, les instructions, les illustrations et les spécifications fournis

avec cet outil électrique. Ne pas suivre les instructions énumérées ci-dessous peut provoquer un choc électrique, un incendie et/ou une blessure sérieuse.

Conserver tous les avertissements et toutes les instructions pour pouvoir s'y reporter ultérieurement.

Le terme "outil électrique" dans les avertissements fait référence à votre outil électrique alimenté par le secteur (avec cordon d'alimentation) ou votre outil électrique fonctionnant sur batterie (sans cordon d'alimentation).

Sécurité de la zone de travail

- ▶ **Conserver la zone de travail propre et bien éclairée.**
Les zones en désordre ou sombres sont propices aux accidents.
- ▶ **Ne pas faire fonctionner les outils électriques en atmosphère explosive, par exemple en présence de liquides inflammables, de gaz ou de poussières.** Les outils électriques produisent des étincelles qui peuvent enflammer les poussières ou les fumées.
- ▶ **Maintenir les enfants et les personnes présentes à l'écart pendant l'utilisation de l'outil électrique.** Les distractions peuvent vous faire perdre le contrôle de l'outil.

Sécurité électrique

- ▶ **Il faut que les fiches de l'outil électrique soient adaptées au socle. Ne jamais modifier la fiche de quelque façon que ce soit. Ne pas utiliser d'adaptateurs avec des outils électriques à branchement de terre.** Des fiches non modifiées et des socles adaptés réduisent le risque de choc électrique.
- ▶ **Éviter tout contact du corps avec des surfaces reliées à la terre telles que les tuyaux, les radiateurs, les cui-**

sinières et les réfrigérateurs. Il existe un risque accru de choc électrique si votre corps est relié à la terre.

- ▶ **Ne pas exposer les outils électriques à la pluie ou à des conditions humides.** La pénétration d'eau à l'intérieur d'un outil électrique augmente le risque de choc électrique.
- ▶ **Ne pas maltraiter le cordon. Ne jamais utiliser le cordon pour porter, tirer ou débrancher l'outil électrique. Maintenir le cordon à l'écart de la chaleur, du lubrifiant, des arêtes vives ou des parties en mouvement.** Des cordons endommagés ou emmêlés augmentent le risque de choc électrique.
- ▶ **Lorsqu'on utilise un outil électrique à l'extérieur, utiliser un prolongateur adapté à l'utilisation extérieure.** L'utilisation d'un cordon adapté à l'utilisation extérieure réduit le risque de choc électrique.
- ▶ **Si l'usage d'un outil électrique dans un emplacement humide est inévitable, utiliser une alimentation protégée par un dispositif à courant différentiel résiduel (RCD).** L'usage d'un RCD réduit le risque de choc électrique.

Sécurité des personnes

- ▶ **Rester vigilant, regarder ce que vous êtes en train de faire et faire preuve de bon sens dans votre utilisation de l'outil électrique. Ne pas utiliser un outil électrique lorsque vous êtes fatigué ou sous l'emprise de drogues, de l'alcool ou de médicaments.** Un moment d'inattention en cours d'utilisation d'un outil électrique peut entraîner des blessures graves.
- ▶ **Utiliser un équipement de protection individuelle. Toujours porter une protection pour les yeux.** Les équipements de protection individuelle tels que les masques contre les poussières, les chaussures de sécurité antidérapantes, les casques ou les protections auditives utilisés pour les conditions appropriées réduisent les blessures.
- ▶ **Éviter tout démarrage intempestif. S'assurer que l'interrupteur est en position arrêt avant de brancher l'outil au secteur et/ou au bloc de batteries, de le ramasser ou de le porter.** Porter les outils électriques en ayant le doigt sur l'interrupteur ou brancher des outils électriques dont l'interrupteur est en position marche est source d'accidents.
- ▶ **Retirer toute clé de réglage avant de mettre l'outil électrique en marche.** Une clé laissée fixée sur une partie tournante de l'outil électrique peut donner lieu à des blessures.
- ▶ **Ne pas se précipiter. Garder une position et un équilibre adaptés à tout moment.** Cela permet un meilleur contrôle de l'outil électrique dans des situations inattendues.
- ▶ **S'habiller de manière adaptée. Ne pas porter de vêtements amples ou de bijoux. Garder les cheveux et les vêtements à distance des parties en mouvement.** Des vêtements amples, des bijoux ou les cheveux longs peuvent être pris dans des parties en mouvement.

- ▶ **Si des dispositifs sont fournis pour le raccordement d'équipements pour l'extraction et la récupération des poussières, s'assurer qu'ils sont connectés et correctement utilisés.** Utiliser des collecteurs de poussière peut réduire les risques dus aux poussières.
- ▶ **Rester vigilant et ne pas négliger les principes de sécurité de l'outil sous prétexte que vous avez l'habitude de l'utiliser.** Une fraction de seconde d'inattention peut provoquer une blessure grave.

Utilisation et entretien de l'outil électrique

- ▶ **Ne pas forcer l'outil électrique. Utiliser l'outil électrique adapté à votre application.** L'outil électrique adapté réalise mieux le travail et de manière plus sûre au régime pour lequel il a été construit.
- ▶ **Ne pas utiliser l'outil électrique si l'interrupteur ne permet pas de passer de l'état de marche à arrêt et inversement.** Tout outil électrique qui ne peut pas être commandé par l'interrupteur est dangereux et il faut le réparer.
- ▶ **Débrancher la fiche de la source d'alimentation et/ou enlever le bloc de batteries, s'il est amovible, avant tout réglage, changement d'accessoires ou avant de ranger l'outil électrique.** De telles mesures de sécurité préventives réduisent le risque de démarrage accidentel de l'outil électrique.
- ▶ **Conserver les outils électriques à l'arrêt hors de la portée des enfants et ne pas permettre à des personnes ne connaissant pas l'outil électrique ou les présentes instructions de le faire fonctionner.** Les outils électriques sont dangereux entre les mains d'utilisateurs novices.
- ▶ **Observer la maintenance des outils électriques et des accessoires. Vérifier qu'il n'y a pas de mauvais alignement ou de blocage des parties mobiles, des pièces cassées ou toute autre condition pouvant affecter le fonctionnement de l'outil électrique. En cas de dommages, faire réparer l'outil électrique avant de l'utiliser.** De nombreux accidents sont dus à des outils électriques mal entretenus.
- ▶ **Garder affûtés et propres les outils permettant de couper.** Des outils destinés à couper correctement entretenus avec des pièces coupantes tranchantes sont moins susceptibles de bloquer et sont plus faciles à contrôler.
- ▶ **Utiliser l'outil électrique, les accessoires et les lames etc., conformément à ces instructions, en tenant compte des conditions de travail et du travail à réaliser.** L'utilisation de l'outil électrique pour des opérations différentes de celles prévues peut donner lieu à des situations dangereuses.
- ▶ **Il faut que les poignées et les surfaces de préhension restent sèches, propres et dépourvues d'huiles et de graisses.** Des poignées et des surfaces de préhension glissantes rendent impossibles la manipulation et le contrôle en toute sécurité de l'outil dans les situations inattendues.

Maintenance et entretien

- **Faire entretenir l'outil électrique par un réparateur qualifié utilisant uniquement des pièces de rechange identiques.** Cela assure le maintien de la sécurité de l'outil électrique.

Consignes de sécurité pour scies circulaires

Procédures de coupe

- **⚠ DANGER: N'approchez pas les mains de la zone de coupe et de la lame. Gardez la deuxième main sur la poignée auxiliaire ou sur le boîtier du moteur.** Si les deux mains tiennent la scie, elles ne peuvent pas être coupées par la lame.
- **N'exposez aucune partie de votre corps sous la pièce à travailler.** Le protecteur ne peut pas vous protéger de la lame sous la pièce.
- **Ajustez la profondeur de coupe à l'épaisseur de la pièce à travailler.** Il convient que moins de la totalité d'une dent parmi toutes les dents de la lame soit visible sous la pièce.
- **Ne tenez jamais la pièce à travailler dans vos mains ou sur vos jambes pendant la coupe. Assurez-vous que la pièce à travailler se trouve sur une plate-forme stable.** Il est important que la pièce soit soutenue convenablement, afin de minimiser l'exposition du corps, le grippage de la lame, ou la perte de contrôle.
- **Maintenez l'outil uniquement par les surfaces de prise isolantes, si l'outil coupant, en marche, peut être en contact avec des conducteurs cachés ou avec son propre cordon d'alimentation.** Le contact avec un fil "sous tension" mettra également "sous tension" les parties métalliques exposées de l'outil et pourrait provoquer un choc électrique sur l'opérateur.
- **Lors d'une coupe, utilisez toujours un guide parallèle ou un guide à bords droits.** Cela améliore la précision de la coupe et réduit les risques de grippage de la lame.
- **Utilisez toujours des lames dont la taille et la forme (diamant et rond) des alésages centraux sont convenables.** Les lames qui ne correspondent pas aux éléments de montage de la scie se décentreront, provoquant une perte de contrôle.
- **N'utilisez jamais de rondelles ou de boulons de lames endommagés ou inadaptés.** Les rondelles et les boulons de lames ont été spécialement conçus pour votre scie, afin de garantir une performance optimale et une sécurité de fonctionnement.

Causes du recul et mises en garde correspondantes

- le recul est une réaction soudaine observée sur une lame de scie pincée, bloquée ou mal alignée, faisant sortir la scie de la pièce à travailler de manière incontrôlée dans la direction de l'opérateur;

- lorsque la lame est pincée ou bloquée fermement par le fond du trait de scie, la lame se bloque et le moteur fait retourner brutalement le bloc à l'opérateur;

- si la lame se tord ou est mal alignée lors de la coupe, les dents sur le bord arrière de la lame peuvent creuser la face supérieure du bois, ce qui fait que la lame sort du trait de scie et est projetée sur l'opérateur.

Le recul est le résultat d'un mauvais usage de la scie et/ou de procédures ou de conditions de fonctionnement incorrectes et peut être évité en prenant les précautions adéquates spécifiées ci-dessous.

- **Maintenez fermement la scie avec les deux mains et positionnez vos bras afin de résister aux forces de recul. Positionnez votre corps d'un des côtés de la lame, mais pas dans l'alignement de la lame.** Le recul peut faire revenir la scie en arrière, mais les forces de recul peuvent être maîtrisées par l'opérateur, si les précautions adéquates sont prises.
- **Lorsque la lame est grippée ou lorsqu'une coupe est interrompue pour quelque raison que ce soit, relâchez le bouton de commande et maintenez la scie immobile dans le matériau, jusqu'à ce que la lame arrête complètement de fonctionner. N'essayez jamais de retirer la scie de la pièce à travailler ou tirez la scie en arrière pendant que la lame est en mouvement ou que le recul peut se produire.** Recherchez et prenez des mesures correctives afin d'empêcher que la lame ne se grippe.
- **Lorsque vous remettez en marche une scie dans la pièce à travailler, centrez la lame de scie dans le trait de scie, de sorte que les dents de la scie ne soient pas rentrées dans le matériau.** Si la lame de scie est grippée, elle peut venir chevaucher la pièce à travailler ou en sortir lorsque la scie est remise en fonctionnement.
- **Placez des panneaux de grande taille sur un support afin de minimiser les risques de pincement de la lame et de recul.** Les grands panneaux ont tendance à fléchir sous leur propre poids. Les supports doivent être placés sous le panneau des deux côtés, près de la ligne de coupe et près du bord du panneau.
- **N'utilisez pas de lames émoussées ou endommagées.** Des lames non aiguisées ou mal fixées entraînent un trait de scie rétréci, provoquant trop de frottements, un grippage de la lame et un recul.
- **La profondeur de la lame et les leviers de verrouillage et de réglage du biseau doivent être solides et stables avant de réaliser la coupe.** Si l'ajustement de la lame dérive pendant la coupe, cela peut provoquer un grippage et un recul.
- **Soyez d'autant plus prudent lorsque vous découpez des parois existantes ou d'autres zones sans visibilité.** La lame saillante peut couper des objets qui peuvent entraîner un recul.

Fonctionnement du protecteur inférieur

- **Vérifiez que le protecteur inférieur soit bien fermé avant chaque utilisation. Ne mettez pas la scie en marche si le protecteur inférieur ne se déplace pas librement et ne se ferme pas instantanément. Ne serrez jamais ou n'attachez jamais le protecteur inférieur en position ouverte.** Si la scie tombe accidentellement, le

protecteur inférieur peut se tordre. Soulevez le protecteur inférieur avec la poignée rétractive et assurez-vous qu'il bouge librement et n'est pas en contact avec la lame ou toute autre partie, à tous les angles et profondeurs de coupe.

- ▶ **Vérifiez le fonctionnement du ressort du protecteur inférieur. Si le protecteur et le ressort ne fonctionnent pas correctement, ils doivent être révisés avant utilisation.** Le protecteur inférieur peut fonctionner lentement en raison d'éléments endommagés, de dépôts collants ou de l'accumulation de débris.
- ▶ **Le protecteur inférieur peut revenir se loger manuellement uniquement pour les coupes particulières telles que les «coupes plongantes» et les «coupes complexes».** Soulevez le protecteur inférieur par la poignée rétractive et, dès que la lame entre dans le matériau, le protecteur inférieur doit être relâché. Pour toutes les autres découpes, il convient que le protecteur inférieur fonctionne automatiquement.
- ▶ **Vérifiez toujours que le protecteur inférieur recouvre la lame avant de poser la scie sur un établi ou sur le sol.** Une lame non protégée et continuant à fonctionner par inertie entraînera la scie en arrière, et coupera alors tout ce qui se trouve sur sa trajectoire. Soyez conscient du temps nécessaire à la lame pour s'arrêter après que l'interrupteur est relâché.

Consignes de sécurité additionnelles

- ▶ **Ne mettez jamais la main dans l'éjecteur de copeaux.** Vous risqueriez d'être blessé par des pièces en rotation.
- ▶ **N'utilisez pas la scie pour effectuer des travaux en hauteur.** Il est alors difficile de bien maîtriser l'outil électroportatif.
- ▶ **Utilisez un détecteur approprié pour vérifier s'il n'y a pas de conduites cachées ou contactez votre société de distribution d'eau locale.** Tout contact avec des câbles électriques peut provoquer un incendie ou un choc électrique. Tout endommagement d'une conduite de gaz peut provoquer une explosion. La perforation d'une conduite d'eau provoque des dégâts matériels et peut provoquer un choc électrique.
- ▶ **Lors du travail, tenez fermement l'outil électroportatif des deux mains et veillez à toujours garder une position de travail stable.** Avec les deux mains, l'outil électroportatif est guidé en toute sécurité.
- ▶ **N'utilisez pas l'outil électroportatif de manière stationnaire.** Il n'est pas conçu pour être utilisé avec une table de sciage.
- ▶ **Pour effectuer des coupes plongantes non perpendiculaires, faites en sorte que la semelle de la scie ne risque pas de se déplacer latéralement.** Un déplacement latéral risque de provoquer le blocage de la lame et donc un phénomène de rebond.
- ▶ **Bloquez la pièce à travailler.** Une pièce à travailler serrée par des dispositifs de serrage appropriés ou dans un étau est fixée de manière plus sûre que quand elle est tenue avec une main.

- ▶ **Avant de poser l'outil électroportatif, attendez que celui-ci soit complètement à l'arrêt.** L'outil risque de se coincer, ce qui entraînerait une perte de contrôle de l'outil électroportatif.
- ▶ **N'utilisez pas de lames en acier HSS (acier super rapide).** De telles lames se cassent facilement.
- ▶ **Ne sciez pas des métaux ferreux.** Les copeaux incandescents risquent d'enflammer le dispositif d'aspiration de poussières.
- ▶ **Portez un masque anti-poussières.**

Description des prestations et du produit



Lisez attentivement toutes les instructions et consignes de sécurité. Le non-respect des instructions et consignes de sécurité peut provoquer un choc électrique, un incendie et/ou entraîner de graves blessures.

Référez-vous aux illustrations qui se trouvent à l'avant de la notice d'utilisation.

Utilisation conforme

L'outil électroportatif est conçu pour réaliser, à l'aide d'un support stable, des coupes longitudinales et transversales droites et biaisées dans le bois.

Éléments constitutifs

La numérotation des éléments se réfère à la représentation de l'outil électroportatif sur la page graphique.

- (1) Bouton Marche/Arrêt
- (2) Verrouillage d'enclenchement de l'interrupteur Marche/Arrêt
- (3) Poignée supplémentaire (surface de préhension isolée)^{a)}
- (4) Bouton de blocage de broche
- (5) Échelle graduée d'angles d'inclinaison
- (6) Vis papillon pour présélection de l'angle d'inclinaison
- (7) Vis papillon de la butée parallèle
- (8) Marquage pour coupe à 45°
- (9) Marquage pour coupe à 0°
- (10) Butée parallèle
- (11) Capot de protection à mouvement pendulaire
- (12) Plaque de base
- (13) Levier de réglage du capot de protection à mouvement pendulaire
- (14) Éjecteur de copeaux
- (15) Capot de protection
- (16) Poignée (surface de préhension isolée)
- (17) Clé six pans mâle^{a)}
- (18) Vis de serrage avec rondelle
- (19) Flasque de serrage

- (20) Lame de scie circulaire^{a)}
 - (21) Broche avec flasque porte-lame
 - (22) Levier de serrage pour présélection de la profondeur de coupe
 - (23) Échelle graduée de profondeur de coupe
 - (24) Paire de serre-joints^{b)}
 - (25) Adaptateur d'aspiration^{a)}
- a) Les accessoires décrits ou illustrés ne sont pas tous compris dans la fourniture. Vous trouverez l'ensemble des accessoires dans notre gamme d'accessoires.
- b) disponible dans le commerce (non fourni)

Caractéristiques techniques

Scie circulaire		GKS 130
Référence		3 601 FC3 0..
Puissance absorbée nominale	W	1 300
Régime à vide	tr/min	5 800
Profondeur de coupe maxi avec lame de 184 mm de diamètre		
– pour angle d'inclinaison de 0°	mm	64
– pour angle d'inclinaison de 45°	mm	45
Blocage de broche		●
Dimensions de la plaque de base	mm	290 x 150
Diamètre de lame maxi	mm	184
Diamètre de lame mini	mm	184
Épaisseur de lame maxi	mm	2,0
Alésage	mm	20
Poids selon EPTA-Procédure 01:2014	kg	3,9
Indice de protection		□ / II

Les données indiquées sont valables pour une tension nominale [U] de 230 V. Elles peuvent varier lorsque la tension diffère de cette valeur et sur certaines versions destinées à certains pays.

Montage

- ▶ **N'utilisez que des lames de scie dont la vitesse de rotation maximale admissible est supérieure au régime à vide de votre outil électroportatif.**

Montage/changement de la lame de scie

- ▶ **Débranchez le câble d'alimentation de la prise avant d'effectuer des travaux quels qu'il soient sur l'outil électroportatif.**
- ▶ **Portez toujours des gants de protection pour monter la lame de scie.** Lors d'un contact avec la lame de scie, il y a un risque de blessures.
- ▶ **N'utilisez jamais de roues abrasives comme accessoire de travail.**

Retrait de la lame de scie (voir figure A)

Pour changer de lame, le mieux est de poser l'outil électroportatif sur la partie avant du carter moteur.

- Appuyez sur le bouton de blocage de broche (4) et maintenez-le enfoncé.
- ▶ **N'actionnez la touche de blocage de broche (4) que lorsque la broche d'entraînement est à l'arrêt.** L'outil électroportatif risque sinon d'être endommagé.
- Dévissez avec la clé mâle pour vis à six pans creux (17) la vis de serrage (18) dans le sens de rotation ●.
- Rabattez vers l'arrière le capot de protection à mouvement pendulaire (11) et tenez-le fermement.
- Retirez le flasque de serrage (19) et la lame (20) de la broche avec le flasque porte-lame (21).

Choix de la lame de scie

Vous trouverez une vue d'ensemble des lames de scie recommandées à la fin de cette notice d'utilisation.

Mise en place d'une lame de scie (voir figure A)

Pour changer de lame, le mieux est de poser l'outil électroportatif sur la partie avant du carter moteur.

- Nettoyez la lame de scie (20) et toutes les pièces de fixation.
- Rabattez vers l'arrière le capot de protection à mouvement pendulaire (11) et tenez-le fermement.
- Placez la lame de scie (20) sur la broche avec flasque porte-lame (21). Le sens de coupe des dents (direction de la flèche sur la lame de scie) et la flèche indiquant le sens de rotation sur le capot de protection (15) doivent coïncider.
- Placez le flasque de serrage (19) et vissez la vis de serrage (18) dans le sens de rotation ●. Veillez à bien positionner la broche avec flasque porte-lame (21) et le flasque de serrage (19).
- Appuyez sur le bouton de blocage de broche (4) et maintenez-le enfoncé.
- À l'aide de la clé mâle pour vis à six pans creux (17), serrez la vis de serrage (18) dans le sens de rotation ●. Le couple de serrage doit être de 6 à 9 Nm, ce qui correspond à un serrage manuel plus ¼ de tour.

Aspiration de poussières/de copeaux

Les poussières de matériaux tels que peintures contenant du plomb, certains bois, minéraux ou métaux, peuvent être nuisibles à la santé. Le contact avec les poussières ou leur inhalation peut entraîner des réactions allergiques et/ou des maladies respiratoires auprès de l'utilisateur ou des personnes se trouvant à proximité.

Certaines poussières telles que les poussières de chêne ou de hêtre sont considérées comme cancérigènes, surtout en association avec des additifs pour le traitement du bois (chromate, lasure). Les matériaux contenant de l'amiant ne doivent être travaillés que par des personnes qualifiées.

- Si possible, utilisez un dispositif d'aspiration des poussières approprié au matériau.
- Veillez à bien aérer la zone de travail.
- Il est recommandé de porter un masque respiratoire avec un niveau de filtration de classe P2.

Respectez les règlements spécifiques aux matériaux à traiter en vigueur dans votre pays.

- **Évitez toute accumulation de poussières sur le lieu de travail.** Les poussières peuvent facilement s'enflammer.

Montage de l'adaptateur d'aspiration (voir figure E)

Emboîtez l'adaptateur d'aspiration (25) sur l'éjecteur de copeaux (14) jusqu'au clic.

Il est possible de raccorder à l'adaptateur d'aspiration (25) un flexible d'aspiration de 35 mm de diamètre.

- **L'adaptateur d'aspiration ne doit pas être monté si aucune aspiration externe n'est raccordée.** Le canal d'aspiration risque sinon d'être obturé.
- **Ne pas raccorder un sac à poussières sur l'adaptateur d'aspiration.** Le système d'aspiration risque sinon d'être obturé.

Nettoyez l'adaptateur d'aspiration (25) à intervalles réguliers pour garantir une bonne aspiration des poussières.

Aspiration au moyen d'un aspirateur

Raccorder l'autre extrémité du tuyau d'aspiration à un aspirateur (non fourni). Vous trouverez à la fin de cette notice une vue d'ensemble des aspirateurs auxquels peut être raccordé l'outil électroportatif.

Cet outil électroportatif peut être branché directement sur la prise d'un aspirateur universel Bosch avec commande à distance. L'aspirateur se met automatiquement en marche dès que l'outil électroportatif est mis en service.

L'aspirateur doit être conçu pour le type de matériau à aspirer.

Pour l'aspiration de poussières particulièrement nuisibles à la santé, cancérigènes ou sèches, utilisez un aspirateur spécial.

Utilisation

- **Débranchez le câble d'alimentation de la prise avant d'effectuer des travaux quels qu'il soient sur l'outil électroportatif.**

Modes de fonctionnement

Réglage de la profondeur de coupe (voir figure B)

- **Adaptez la profondeur de coupe à l'épaisseur de la pièce.** Il convient que moins de la totalité d'une dent parmi toutes les dents de la lame soit visible sous la pièce à travailler.

Desserrez le levier de serrage (22). Pour réduire la profondeur de coupe, éloignez la scie de la plaque de base (12), pour l'augmenter, rapprochez la scie de la plaque (12). Régler la mesure souhaitée sur la graduation de la profondeur de coupe. Resserrez le levier de serrage (22).

Si, après avoir desserré le levier de serrage (22), la profondeur de coupe ne peut pas être entièrement réglée, retirez le levier de serrage (22) de la scie et poussez-le vers le bas. Relâchez le levier de serrage (22). Répétez cette opération jusqu'à ce que la profondeur souhaitée de coupe puisse être réglée.

Si, après avoir serré le levier de serrage (22) la profondeur de coupe ne peut pas être convenablement réglée, retirez le levier de serrage (22) de la scie et poussez-le vers le haut. Relâchez le levier de serrage (22). Répétez cette opération jusqu'à ce que la profondeur de coupe soit réglée.

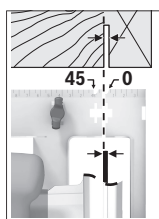
Réglage de l'angle d'inclinaison

Nous recommandons de poser l'outil électroportatif sur la partie avant du capot de protection (15).

Desserrez la vis papillon (6). Faites basculer la scie latéralement. Réglez la mesure souhaitée sur la graduation (5). Bien resserrer la vis papillon (6).

Remarque : Lors des coupes d'onglet, la profondeur de coupe est plus faible que la valeur indiquée sur la graduation de profondeur de coupe (23).

Marquages de la ligne de coupe



Le marquage de coupe 0° (9) indique la position de la lame de scie lors d'une coupe à angle droit. Le marquage de coupe 45° (8) indique la position de la lame de scie lors d'une coupe à angle de 45°.

Afin d'obtenir une coupe de grande précision dimensionnelle, positionnez la scie circulaire conformément aux indications sur la figure sur la pièce à travailler. Le mieux est d'effectuer une

coupe d'essai.

Mise en marche

- **Tenez compte de la tension du réseau ! La tension du secteur doit correspondre aux indications se trouvant sur la plaque signalétique de l'outil électroportatif. Les outils électroportatifs marqués 230 V peuvent également fonctionner sur 220 V.**

Mise en marche/arrêt

- **Assurez-vous de pouvoir actionner l'interrupteur Marche/Arrêt sans avoir à relâcher la poignée.**

Pour **démarrer** l'outil électroportatif, actionnez d'abord l'interrupteur de déverrouillage (2) et appuyez **ensuite** sur l'interrupteur Marche/Arrêt (1) en le maintenant enfoncé.

Pour **arrêter** l'outil électroportatif, l'interrupteur Marche/Arrêt (1).

Remarque : Pour des raisons de sécurité, il n'est pas possible de verrouiller l'interrupteur Marche/Arrêt (1), qui doit rester constamment enfoncé pendant le travail de sciage.

Instructions d'utilisation

- **Débranchez le câble d'alimentation de la prise avant d'effectuer des travaux quels qu'il soient sur l'outil électroportatif.**

La largeur de coupe varie selon la lame de scie utilisée.

Protégez les lames contre les chocs et les coups.

Pour obtenir une bonne qualité de coupe, guidez l'outil électroportatif sans à-coups le long de la ligne de coupe avec une avance modérée. Une trop grande avance réduit nettement

la durée de vie des lames et risque d'endommager l'outil électroportatif.

La puissance et la qualité de la coupe dépendent dans une large mesure de l'état et de la forme des dents de la lame de scie. En conséquence, n'utilisez que des lames de scie aiguës et appropriées aux matériaux à travailler.

Sciage de bois

Le bon choix de la lame de scie dépend de la nature et de la qualité du bois et du type de coupe à savoir longitudinale ou transversale.

La découpe longitudinale de l'épicéa entraîne la formation de longs copeaux en spirale.

Les poussières de hêtre et de chêne étant particulièrement toxiques, il est recommandé d'utiliser systématiquement un système d'aspiration.

Sciage avec butée parallèle (voir figure C)

La butée parallèle (10) permet des coupes précises le long du bord de la pièce ou la découpe de bandes régulières.

Desserrez les vis papillon (7) et faites passer la graduation de la butée parallèle (10) à travers le guidage de la plaque de base (12). Ajustez la largeur de coupe souhaitée sur l'échelle graduée se trouvant sur le marquage de coupe (9) ou (8), voir rubrique « Marquages de la ligne de coupe ». Resserrez bien la vis papillon (7).

Sciage avec butée auxiliaire (voir figure D)

Pour travailler des pièces de dimensions importantes et pour couper des bords droits, il est possible de monter une planche ou une barre comme butée auxiliaire sur la pièce à travailler et de guider la scie circulaire avec la plaque de base le long de la butée auxiliaire.

Entretien et Service après-vente

Nettoyage et entretien

- **Débranchez le câble d'alimentation de la prise avant d'effectuer des travaux quels qu'il soient sur l'outil électroportatif.**
- **Tenez toujours propres l'outil électroportatif ainsi que les fentes de ventilation afin d'obtenir un travail impeccable et sûr.**

Dans le cas où il s'avère nécessaire de remplacer le câble d'alimentation, confiez le remplacement à **Bosch** ou une station de Service Après-Vente agréée pour outillage **Bosch** afin de ne pas compromettre la sécurité.

Le capot de protection à mouvement pendulaire doit toujours pouvoir bouger librement et fermer automatiquement. Veillez pour cela à ce que le pourtour du capot de protection à mouvement pendulaire reste propre. Enlevez la poussière et les copeaux à l'aide d'un pinceau.

Les lames de scie sans revêtement de protection peuvent être protégées des risques de corrosion en appliquant une fine couche d'huile non acide. Avant le sciage, enlevez l'huile pour ne pas encrasser le bois.

Les restes de résine ou de colle se trouvant sur la lame de scie entravent la qualité de coupe. En conséquence, nettoyez les lames de scie immédiatement après utilisation.

Service après-vente et conseil utilisateurs

Notre Service après-vente répond à vos questions concernant la réparation et l'entretien de votre produit et les pièces de rechange. Vous trouverez des vues éclatées et des informations sur les pièces de rechange sur le site :

www.bosch-pt.com

L'équipe de conseil utilisateurs Bosch se tient à votre disposition pour répondre à vos questions concernant nos produits et leurs accessoires.

Pour toute demande de renseignement ou toute commande de pièces de rechange, précisez impérativement la référence à 10 chiffres figurant sur l'étiquette signalétique du produit.

Maroc

Robert Bosch Morocco SARL
53, Rue Lieutenant Mahroud Mohamed
20300 Casablanca
Tel.: +212 5 29 31 43 27
E-Mail : sav.outillage@ma.bosch.com

Vous trouverez d'autres adresses du service après-vente sous :

www.bosch-pt.com/serviceaddresses

Élimination des déchets

Les outils électroportatifs, ainsi que leurs accessoires et emballages, doivent pouvoir suivre chacun une voie de recyclage appropriée.



Ne jetez pas les outils électroportatifs avec les ordures ménagères !

Português

Instruções de segurança

Instruções gerais de segurança para ferramentas eléctricas

AVISO

Devem ser lidas todas as indicações de segurança,

instruções, ilustrações e especificações desta ferramenta eléctrica. O desrespeito das instruções apresentadas abaixo poderá resultar em choque eléctrico, incêndio e/ou ferimentos graves.

Guarde bem todas as advertências e instruções para futura referência.

O termo "ferramenta eléctrica" utilizado a seguir nas indicações de advertência, refere-se a ferramentas

eléctricas operadas com corrente de rede (com cabo de rede) e a ferramentas eléctricas operadas com acumulador (sem cabo de rede).

Segurança da área de trabalho

- ▶ **Mantenha a sua área de trabalho sempre limpa e bem iluminada.** Desordem ou áreas de trabalho insuficientemente iluminadas podem levar a acidentes.
- ▶ **Não trabalhar com a ferramenta eléctrica em áreas com risco de explosão, nas quais se encontrem líquidos, gases ou pós inflamáveis.** Ferramentas eléctricas produzem faíscas, que podem inflamar pós ou vapores.
- ▶ **Manter crianças e outras pessoas afastadas da ferramenta eléctrica durante a utilização.** No caso de distração é possível que perca o controlo sobre o aparelho.

Segurança eléctrica

- ▶ **A ficha de conexão da ferramenta eléctrica deve caber na tomada. A ficha não deve ser modificada de maneira alguma. Não utilizar uma ficha de adaptação junto com ferramentas eléctricas protegidas por ligação à terra.** Fichas não modificadas e tomadas apropriadas reduzem o risco de um choque eléctrico.
- ▶ **Evitar que o corpo possa entrar em contacto com superfícies ligadas à terra, como tubos, aquecimentos, fogões e frigoríficos.** Há um risco elevado devido a choque eléctrico, se o corpo estiver ligado à terra.
- ▶ **Manter o aparelho afastado de chuva ou humidade.** A infiltração de água numa ferramenta eléctrica aumenta o risco de choque eléctrico.
- ▶ **Não deverá utilizar o cabo para outras finalidades. Nunca utilizar o cabo para transportar a ferramenta eléctrica, para pendurá-la, nem para puxar a ficha da tomada. Manter o cabo afastado do calor, do óleo, de arestas afiadas ou de peças em movimento.** Cabos danificados ou emaranhados aumentam o risco de um choque eléctrico.
- ▶ **Se trabalhar com uma ferramenta eléctrica ao ar livre, só deverá utilizar cabos de extensão apropriados para áreas exteriores.** A utilização de um cabo de extensão apropriado para áreas exteriores reduz o risco de um choque eléctrico.
- ▶ **Se não for possível evitar o funcionamento da ferramenta eléctrica em áreas húmidas, deverá ser utilizado um disjuntor de corrente de avaria.** A utilização de um disjuntor de corrente de avaria reduz o risco de um choque eléctrico.

Segurança de pessoas

- ▶ **Esteja atento, observe o que está a fazer e tenha prudência ao trabalhar com a ferramenta eléctrica. Não utilizar uma ferramenta eléctrica quando estiver fatigado ou sob a influência de drogas, álcool ou medicamentos.** Um momento de descuido ao utilizar a ferramenta eléctrica, pode levar a lesões graves.

- ▶ **Utilizar equipamento de protecção individual. Utilizar sempre óculos de protecção.** A utilização de equipamento de protecção pessoal, como máscara de protecção contra pó, sapatos de segurança antiderrapantes, capacete de segurança ou protecção auricular, de acordo com o tipo e aplicação da ferramenta eléctrica, reduz o risco de lesões.
- ▶ **Evitar uma colocação em funcionamento involuntária. Assegure-se de que a ferramenta eléctrica esteja desligada, antes de conectá-la à alimentação de rede e/ou ao acumulador, antes de levantá-la ou de transportá-la.** Se tiver o dedo no interruptor ao transportar a ferramenta eléctrica ou se o aparelho for conectado à alimentação de rede enquanto estiver ligado, poderão ocorrer acidentes.
- ▶ **Remover ferramentas de ajuste ou chaves de boca antes de ligar a ferramenta eléctrica.** Uma ferramenta ou chave que se encontre numa parte do aparelho em movimento pode levar a lesões.
- ▶ **Evite uma posição anormal. Mantenha uma posição firme e mantenha sempre o equilíbrio.** Desta forma é mais fácil controlar a ferramenta eléctrica em situações inesperadas.
- ▶ **Usar roupa apropriada. Não usar roupa larga nem jóias. Mantenha os cabelos e roupas afastados de peças em movimento.** Roupas frouxas, cabelos longos ou jóias podem ser agarrados por peças em movimento.
- ▶ **Se for possível montar dispositivos de aspiração ou de recolha, assegure-se de que estejam conectados e utilizados correctamente.** A utilização de uma aspiração de pó pode reduzir o perigo devido ao pó.
- ▶ **Não deixe que a familiaridade resultante de uma utilização frequente de ferramentas permita que você se torne complacente e ignore os princípios de segurança da ferramenta.** Uma acção descuidada pode causar ferimentos graves numa fracção de segundo.

Utilização e manuseio cuidadoso de ferramentas eléctricas

- ▶ **Não sobrecarregue a ferramenta eléctrica. Utilize a ferramenta eléctrica apropriada para o seu trabalho.** É melhor e mais seguro trabalhar com a ferramenta eléctrica apropriada na área de potência indicada.
- ▶ **Não utilizar uma ferramenta eléctrica com um interruptor defeituoso.** Uma ferramenta eléctrica que não pode mais ser ligada nem desligada, é perigosa e deve ser reparada.
- ▶ **Puxar a ficha da tomada e/ou remover o acumulador, se amovível, antes de executar ajustes na ferramenta eléctrica, de substituir acessórios ou de guardar as ferramentas eléctricas.** Esta medida de segurança evita o arranque involuntário da ferramenta eléctrica.
- ▶ **Guardar ferramentas eléctricas não utilizadas fora do alcance de crianças e não permitir que as pessoas que não estejam familiarizadas com o aparelho ou que não tenham lido estas instruções utilizem o aparelho.**

Ferramentas eléctricas são perigosas se forem utilizadas por pessoas inexperientes.

- ▶ **Tratar a ferramenta eléctrica e os acessórios com cuidado. Controlar se as partes móveis do aparelho funcionam perfeitamente e não emperram, e se há peças quebradas ou danificadas que possam prejudicar o funcionamento da ferramenta eléctrica. Permitir que peças danificadas sejam reparadas antes da utilização.** Muitos acidentes têm como causa, a manutenção insuficiente de ferramentas eléctricas.
- ▶ **Mantém as ferramentas de corte afiadas e limpas.** Ferramentas de corte cuidadosamente tratadas e com cantos de corte afiados emperram com menos frequência e podem ser conduzidas com maior facilidade.
- ▶ **Utilizar a ferramenta eléctrica, acessórios, ferramentas de aplicação, etc. conforme estas instruções. Considerar as condições de trabalho e a tarefa a ser executada.** A utilização de ferramentas eléctricas para outras tarefas a não ser as aplicações previstas, pode levar a situações perigosas.
- ▶ **Mantenha os punhos e as superfícies de agarrar secas, limpas e livres de óleo e massa consistente.** Punhos e superfícies de agarrar escorregadias não permitem o manuseio e controle seguros da ferramenta em situações inesperadas.

Serviço

- ▶ **Só permita que o seu aparelho seja reparado por pessoal especializado e qualificado e só com peças de reposição originais.** Desta forma é assegurado o funcionamento seguro do aparelho.

Instruções de segurança para serras circulares

Procedimentos de corte

- ▶ **⚠ PERIGO: Mantenha as mãos afastadas da zona de corte e do disco. Mantenha a segunda mão no punho auxiliar ou na carcaça do motor.** Se usar ambas as mãos para segurar a serra, estas não poderão ser cortadas pelo disco.
- ▶ **Não coloque as mãos por baixo da peça de trabalho.** A proteção não o protege do disco por baixo da peça de trabalho.
- ▶ **Ajuste a profundidade de corte à espessura da peça de trabalho.** Deverá estar visível menos de um dente completo dos dentes do disco por baixo da peça de trabalho.
- ▶ **Nunca apoie a peça nas suas mãos ou sobre a perna enquanto efetua o corte. Fixe a peça numa plataforma estável.** É importante suportar o corpo de forma adequada para minimizar a exposição deste, o bloqueio do disco ou a perda de controlo.
- ▶ **Segure a ferramenta eléctrica nas superfícies de agarrar isoladas, ao executar uma operação onde a ferramenta de corte possa entrar em contacto com cabos escondidos ou com o próprio cabo.** O contacto com um fio "sob tensão" irá colocar as partes metálicas

expostas da ferramenta eléctrica também "sob tensão" e pode dar um choque eléctrico ao operador.

- ▶ **Ao efetuar cortes longitudinais, utilize sempre a guia de corte ou a guia de aresta reta.** Isto melhora a precisão de corte e reduz o risco de bloqueio do disco.
- ▶ **Utilize sempre discos com furos interiores com tamanho e forma corretos (diamante versus redondo).** Os discos que não coincidam com o hardware de montagem da serra ficam descentrados, causando perda de controlo.
- ▶ **Nunca utilize anilhas ou um parafuso de disco danificados ou incorretos.** As anilhas e o parafuso de disco foram especialmente concebidos para a sua serra, para excelente rendimento e uma operação segura.

Causas do efeito de coice e indicações relacionadas

- o efeito de coice é uma reação súbita a um disco de serra entalado, bloqueado ou desalinhado, causando um levantamento descontrolado da serra e a sua saída da peça de trabalho em direção ao operador;
 - quando o disco é entalado ou bloqueado fortemente pelo corte a fechar, o disco para e a reação do motor aciona a unidade rapidamente para trás, em direção ao operador;
 - se o disco ficar torcido ou desalinhado no corte, os dentes no chanfro posterior do disco podem entrar na superfície superior da madeira fazendo com que o disco suba para fora do corte e salte para trás, em direção ao operador.
- O efeito de coice é o resultado de uma utilização abusiva e/ou condições ou procedimentos incorretos de utilização da serra e pode ser evitado tomando as precauções indicadas abaixo.

- ▶ **Segure a serra com firmeza com as duas mãos e posicione os braços de forma a poder resistir ao efeito de coice. Posicione o seu corpo de qualquer lado do disco, mas não em linha com este.** O efeito de coice pode fazer com que a serra salte para trás, mas as forças do efeito de coice podem ser controladas pelo operador se forem tomadas as devidas precauções.
- ▶ **Quando o disco está bloqueado ou se interromper um corte por qualquer motivo, solte o botão e mantenha a serra imóvel até que o disco pare por completo. Nunca tente retirar a serra da peça ou puxar a serra para trás enquanto o disco estiver em funcionamento, caso contrário pode ocorrer efeito de coice.** Investigue e tome as medidas necessárias para eliminar a causa do bloqueio do disco.
- ▶ **Quando reiniciar a serra com o disco na peça, centre o disco de serra no corte para que os dentes da serra não fiquem engatados no material.** Se um disco de serra bloquear, pode subir ou ressaltar da peça quando a serra é reiniciada.
- ▶ **Apoie painéis grandes para reduzir o risco de entalamento e o efeito de coice do disco.** Os painéis grandes tendem a abater sob o seu próprio peso. Coloque suportes sob o painel, de ambos os lados, junto à linha de corte e junto da extremidade do painel.

- ▶ **Não utilize discos rombos ou danificados.** Os discos não afiados ou mal ajustados produzem um corte estreito, causando fricção excessiva, bloqueio do disco e efeito de coice.
- ▶ **As alavancas de bloqueio do ajuste da profundidade do disco e do chanfro têm de estar apertadas e fixas antes de fazer o corte.** Se o ajuste do disco se deslocar durante o corte, pode causar o bloqueio e o efeito de coice do disco.
- ▶ **Tenha especial cuidado ao efetuar cortes em paredes existentes ou noutras áreas cegas.** O disco protuberante pode cortar objetos que podem provocar um efeito de coice.

Função da proteção inferior

- ▶ **Verifique se a proteção inferior está bem fechada antes de cada utilização. Não opere a lâmina se a proteção inferior não se deslocar livremente e fechar de imediato. Nunca fixe ou prenda a proteção inferior na posição aberta.** Se a serra cair acidentalmente, a proteção inferior pode ficar torcida. Levante a proteção inferior com o punho retrátil e certifique-se de que se desloca livremente e não toca no disco ou em qualquer outra parte, em todos os ângulos e profundidades de corte.
- ▶ **Verifique a operação da mola da proteção inferior. Se a proteção e a mola não estiverem a funcionar corretamente, têm de ser reparadas antes da utilização.** A proteção inferior pode funcionar lentamente devido a peças danificadas, depósitos pegajosos ou acumulação de resíduos.
- ▶ **A proteção inferior pode ser retraída manualmente apenas para cortes especiais, como "cortes de imersão" e "cortes compostos". Levante a proteção inferior pelo punho retrátil e assim que o disco entrar no material, a proteção inferior tem de ser solta.** Para todos os outros cortes, a proteção inferior deve operar automaticamente.
- ▶ **Verifique sempre se a proteção inferior está a cobrir o disco antes de colocar a serra sobre a bancada ou no chão.** Um disco desprotegido, a rodar livremente, irá fazer com que a serra se desloque para trás, cortando tudo o que estiver pelo caminho. Tenha atenção ao tempo que leva o disco a parar depois de soltar o botão.

Instruções de segurança adicionais

- ▶ **Não insira as mãos na remoção de aparas.** Pode sofrer ferimentos nas peças em rotação.
- ▶ **Não trabalhe com a serra acima do nível da cabeça.** Se o fizer, não terá controlo suficiente sobre a ferramenta elétrica.
- ▶ **Utilizar detetores apropriados, para encontrar cabos escondidos, ou consulte a companhia elétrica local.** O contacto com cabos elétricos pode provocar fogo e choques elétricos. Danos em tubos de gás podem levar à explosão. A penetração num cano de água causa danos materiais ou pode provocar um choque elétrico.

- ▶ **Durante o trabalho, segure a ferramenta elétrica com as duas mãos e providencie uma estabilidade segura.** A ferramenta elétrica é conduzida com maior segurança com ambas as mãos.
- ▶ **Não opere a ferramenta elétrica de forma estacionária.** Ela não é adequada para o funcionamento com mesa de serrar.
- ▶ **Ao fazer um "corte de imersão" que não é executado em ângulo reto, proteja a placa de guia contra deslocamento lateral.** Um deslocamento lateral pode fazer com que o disco de serra emperre, provocando um contragolpe.
- ▶ **Fixar a peça a ser trabalhada.** Uma peça a ser trabalhada fixa com dispositivos de aperto ou com torno de bancada está mais firme do que segurada com a mão.
- ▶ **Esperre que a ferramenta elétrica pare completamente, antes de depositá-la.** A ferramenta de aplicação pode emperrear e levar à perda de controlo sobre a ferramenta elétrica.
- ▶ **Não use discos de serra de aço HSS.** Estes discos de serra podem quebrar facilmente.
- ▶ **Não serre metais ferrosos.** As aparas quentes podem incendiar o sistema de aspiração de pó.
- ▶ **Usar uma máscara de proteção contra pó.**

Descrição do produto e do serviço



Leia todas as instruções de segurança e instruções. A inobservância das instruções de segurança e das instruções pode causar choque elétrico, incêndio e/ou ferimentos graves.

Respeite as figuras na parte da frente do manual de instruções.

Utilização adequada

A ferramenta elétrica é adequada para executar cortes longitudinais e transversais sobre apoios fixos em madeira, com um traçado de corte a direito ou em meia-esquadria.

Componentes ilustrados

A numeração dos componentes ilustrados refere-se à apresentação da ferramenta elétrica na página de esquemas.

- (1) Interruptor de ligar/desligar
- (2) Bloqueio de ligação para o interruptor de ligar/desligar
- (3) Punho adicional (superfície do punho isolada)^{a)}
- (4) Tecla de bloqueio do veio
- (5) Escala do ângulo de meia-esquadria
- (6) Parafuso borboleta para pré-seleção de ângulos de meia-esquadria
- (7) Parafuso de orelhas para guia paralela
- (8) Marcação de corte de 45°

- (9) Marcação de corte de 0°
 - (10) Guia paralela
 - (11) Cobertura de proteção pendular
 - (12) Placa de base
 - (13) Alavanca de ajuste para a capa de proteção pendular inferior
 - (14) Expulsão de aparas
 - (15) Tampa de proteção
 - (16) Punho (superfície do punho isolada)
 - (17) Chave sextavada interior^{a)}
 - (18) Parafuso de aperto com arruela
 - (19) Flange de aperto
 - (20) Disco de serra^{a)}
 - (21) Veio da serra com flange de admissão
 - (22) Alavanca de aperto para pré-seleção da profundidade do corte
 - (23) Escala de profundidade de corte
 - (24) Par de sargentos^{b)}
 - (25) Adaptador de aspiração^{a)}
- a) **Acessórios apresentados ou descritos não pertencem ao volume de fornecimento padrão. Todos os acessórios encontram-se no nosso programa de acessórios.**
- b) **convencional (não faz parte do material a fornecer)**

Dados técnicos

Serra circular manual		GKS 130
Número de produto		3 601 FC3 0..
Potência nominal absorvida	W	1300
Número de rotações em vazio	r.p.m.	5800
Profundidade máx. de corte com diâmetro do disco de serra 184 mm		
– no ângulo de meia-esquadria 0°	mm	64
– no ângulo de meia-esquadria 45°	mm	45
Bloqueio do veio		●
Dimensões placa de base	mm	290 x 150
Diâmetro máx. do disco de serra	mm	184
Diâmetro mín. do disco de serra	mm	184
Máx. espessura da base do disco	mm	2,0
Furo central	mm	20
Peso conforme EPTA-Procedure 01:2014	kg	3,9
Classe de proteção		□/II

Os dados aplicam-se a uma tensão nominal [U] de 230 V. Com tensões divergentes e em versões específicas do país, estes dados podem variar.

Montagem

- ▶ **Só utilizar discos de serra com uma máxima velocidade admissível superior à velocidade da marcha em vazio da ferramenta elétrica.**

Introduzir/substituir o disco da serra circular

- ▶ **Antes de todos trabalhos na ferramenta elétrica deverá puxar a ficha de rede da tomada.**
- ▶ **Para a montagem do disco de serra é necessário usar luvas de proteção.** Há perigo de lesões no caso de um contacto com o disco de serra.
- ▶ **Nunca utilizar discos abrasivos como ferramentas de trabalho.**

Desmontar disco de serra (ver figura A)

Coloque a ferramenta elétrica para a troca de ferramenta sobre o topo da carcaça do motor.

- Prima e mantenha premida a tecla de bloqueio do veio (4).
- ▶ **Só acione a tecla de bloqueio do veio (4) com o veio de retificação parado.** Caso contrário é possível que a ferramenta elétrica seja danificada.
- Desaperte com a chave sextavada interior (17) o parafusos tensor (18) no sentido de rotação ①.
- Vire a tampa de proteção pendular (11) para trás e segure a mesma.
- Retire o flange de aperto (19) e o disco de serra (20) do veio da serra com o flange de admissão (21).

Selecionar disco de serra

Encontra um resumo dois discos de serra recomendados no final destas instruções.

Montar o disco de serra (ver figura A)

Coloque a ferramenta elétrica para a troca de ferramenta sobre o topo da carcaça do motor.

- Limpe o disco de serra (20) e todos os meus elementos de aperto a montar.
- Vire a tampa de proteção pendular (11) para trás e segure a mesma.
- Coloque o disco de serra (20) no veio da serra com o flange de admissão (21). O sentido de corte dos dentes (sentido das setas no disco de serra) e a seta do sentido de rotação na tampa de proteção (15) têm de coincidir.
- Coloque o flange de admissão (19) e aperte o parafuso tensor (18) no sentido de rotação ②. Certifique-se da posição de montagem correta do veio da serra com flange de admissão (21) e do flange de aperto (19).
- Prima e mantenha premida a tecla de bloqueio do veio (4).
- Com uma chave de sextavado interior (17), aperte o parafuso de aperto (18) no sentido de rotação ②. O binário de aperto deve ser de 6–9 Nm, o que corresponde ao aperto manual mais ¼ de volta.

Aspiração de pó/de aparas

Pós de materiais como por exemplo, tintas que contém chumbo, alguns tipos de madeira, minerais e metais, podem ser nocivos à saúde. O contacto ou a inalação dos pós pode provocar reações alérgicas e/ou doenças nas vias respiratórias do utilizador ou das pessoas que se encontrem por perto.

Certos pós, como por exemplo pó de carvalho e faia são considerados como sendo cancerígenos, especialmente quando juntos com substâncias para o tratamento de madeiras (cromato, produtos de proteção da madeira). Material que contém asbesto só deve ser processado por pessoal especializado.

- Se possível deverá usar um dispositivo de aspiração de pó apropriado para o material.
- Assegurar uma boa ventilação do local de trabalho.
- É recomendável usar uma máscara de proteção respiratória com filtro da classe P2.

Observe as diretivas para os materiais a serem processados, vigentes no seu país.

- **Evite a acumulação de pó no local de trabalho.** Pós podem entrar levemente em ignição.

Montar adaptador de aspiração (ver figura E)

Insira o adaptador de aspiração (25) na expulsão de aparas (14) até engatar.

Ao adaptador de aspiração (25) é possível ligar uma mangueira de aspiração com um diâmetro de 35 mm.

- **O adaptador de aspiração não pode estar montado sem aspiração externa ligada.** Caso contrário o canal de aspiração pode ser obstruído.
- **No adaptador de aspiração não pode ser ligado um saco coletor do pó.** Caso contrário o sistema de aspiração pode entupir.

Para assegurar uma aspiração otimizada, é necessário que o adaptador de aspiração (25) seja limpo em intervalos regulares.

Aspiração externa

Ligue a mangueira de aspiração a um aspirador (acessório). Encontra um resumo da ligação aos diferentes aspiradores no final deste manual.

A ferramenta elétrica pode ser ligada diretamente a uma tomada de um aspirador universal Bosch com dispositivo de arranque remoto. Este é iniciado automaticamente quando se liga a ferramenta elétrica.

O aspirador de pó deve ser apropriado para o material a ser trabalhado.

Utilize um aspirador especial para aspirar pó que seja extremamente nocivo à saúde, cancerígeno ou seco.

Funcionamento

- **Antes de todos trabalhos na ferramenta elétrica deverá puxar a ficha de rede da tomada.**

Modos de operação

Ajustar profundidade de corte (ver figura B)

- **Adapte a profundidade de corte à espessura da peça.** Deveria estar visível, menos do que uma completa altura de dente por debaixo da peça a ser trabalhada.

Soltar a alavanca de aperto (22). Para profundidades de corte mais pequenas puxe a serra da placa de base (12), para profundidades de corte maiores pressione a serra para a placa de base (12). Ajuste a medida desejada na escala de profundidades de corte. Aperte novamente a alavanca de aperto (22).

Se depois de soltar a alavanca tensora (22) não conseguir ajustar por completo a profundidade de corte, afaste a alavanca tensora (22) da serra e oscile-a para baixo. Solte de novo a alavanca tensora (22). Repetir este processo, até ser possível ajustar a profundidade de corte desejada.

Se depois de apertar a alavanca tensora (22) não conseguir ajustar suficientemente a profundidade de corte, afaste a alavanca tensora (22) da serra e oscile-a para cima. Solte de novo a alavanca tensora (22). Repetir este processo, até ser possível fixar a profundidade de corte

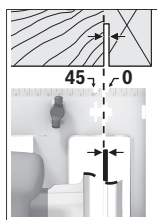
Ajustar ao ângulo de meia-esquadria

Coloque a ferramenta elétrica no topo da tampa de proteção (15).

Solte a porca de orelhas (6). Deslocar lateralmente o disco de serra. Ajuste a medida desejada na escala (5). Aperte novamente a porca de orelhas (6).

Nota: No caso de corte em meia-esquadria, a profundidade de corte é inferior ao valor indicado na escala de profundidades de corte (23).

Marcações de corte



A marcação de corte 0° (9) indica a posição do disco de serra num corte em ângulo reto. A marcação de corte 45° (8) indica a posição do disco de serra num corte num ângulo de 45°.

Para um corte à medida, coloque a serra circular junto à peça, tal como é ilustrado na imagem. É recomendável executar um corte de teste.

Colocação em funcionamento

- **Observar a tensão de rede! A tensão da fonte de corrente elétrica tem de coincidir com a que consta na chapa de identificação da ferramenta elétrica. Ferramentas elétricas marcadas para 230 V também podem ser operadas com 220 V.**

Ligar/desligar

- **Certifique-se de que consegue acionar o interruptor de ligar/desligar sem ter de soltar o punho.**

Para a **colocação em funcionamento** da ferramenta elétrica, acionar primeiro o bloqueio de ligação (2) e premir

de seguid o interruptor de ligar/desligar **(1)** e manter premido.

Para **desligar** a ferramenta elétrica, liberte o interruptor de ligar/desligar **(1)**.

Nota: Por motivos de segurança o interruptor de ligar/desligar **(1)** não pode ser travado, mas deve permanecer premido durante o funcionamento.

Instruções de trabalho

► Antes de todos trabalhos na ferramenta elétrica deverá puxar a ficha de rede da tomada.

A largura de corte varia de acordo com a lâmina de serra utilizada.

Proteger os discos de serra contra golpes e pancadas.

Conduza a ferramenta elétrica uniformemente e com um leve impulso no sentido de corte, para obter uma boa qualidade de corte. Um avanço demasiado forte reduz a vida útil das ferramentas de trabalho e pode danificar a ferramenta elétrica.

A potência de serragem e a qualidade de corte dependem do estado e da forma dos dentes do disco de serra. Portanto só deverá utilizar discos de serra afiados e apropriados para o material a ser trabalhado.

Serrar madeira

A seleção correta do disco de serra depende do tipo de madeira, da qualidade da madeira e se são necessários cortes longitudinais ou transversais.

Cortes longitudinais em abeto são produzidas aparas em formato espiral.

O pó de faia e carvalho são especialmente prejudiciais para a saúde, por isso trabalhe sempre com aspiração de pó.

Serrar com guia paralela (ver figura C)

A guia paralela **(10)** permite cortes exatos ao longo da aresta da peça, ou seja, o corte de tiras iguais.

Solte a porca de orelhas **(7)** e empurre a escala da guia paralela **(10)** pela guia da placa de base **(12)**. Ajuste a largura de corte desejada como valor de escala na respetiva marcação de corte **(9)** ou **(8)**, ver seção "Marcações de corte". Aperte novamente a porca de orelhas **(7)**.

Serrar com encosto auxiliar (ver figura D)

Para o processamento de peças maiores ou para cortar arestas a direito, pode fixar uma tábua ou uma ripa como encosto auxiliar na peça e introduzir a serra circular com a placa de base ao longo do encosto auxiliar.

Manutenção e assistência técnica

Manutenção e limpeza

- **Antes de todos trabalhos na ferramenta elétrica deverá puxar a ficha de rede da tomada.**
- **Manter a ferramenta elétrica e as aberturas de ventilação sempre limpas, para trabalhar bem e de forma segura.**

Se for necessário instalar um cabo de ligação, a instalação deve ser feita pela **Bosch** ou por um centro de serviço autorizado para ferramentas elétricas **Bosch**, para evitar perigos de segurança.

A cobertura de proteção pendular tem de poder movimentar-se sempre livremente e fechar-se automaticamente. Portanto, deverá manter a área em volta da cobertura de proteção pendular sempre limpa. Elimine pó e aparas com um pincel.

Os discos de serra não revestidos podem ser protegidos contra a formação de corrosão com uma camada fina de óleo. Remover o óleo antes de serrar, caso contrário poderão surgir nódoas na madeira.

Resíduos de resina ou de aglutinante no disco de serra reduzem a qualidade de corte. Portanto deverá sempre limpar o disco de serra imediatamente após a utilização.

Serviço pós-venda e aconselhamento

O serviço pós-venda responde às suas perguntas a respeito de serviços de reparação e de manutenção do seu produto, assim como das peças sobressalentes. Desenhos explodidos e informações acerca das peças sobressalentes também em:

www.bosch-pt.com

A nossa equipa de consultores Bosch esclarece com prazer todas as suas dúvidas a respeito dos nossos produtos e acessórios.

Indique para todas as questões e encomendas de peças sobressalentes a referência de 10 dígitos de acordo com a placa de características do produto.

Brasil

Robert Bosch Ltda. – Divisão de Ferramentas Elétricas
Rodovia Anhanguera, Km 98 - Parque Via Norte
13065-900, CP 1195
Campinas, São Paulo
Tel.: 0800 7045 446
www.bosch.com.br/contato

Encontra outros endereços da assistência técnica em:

www.bosch-pt.com/serviceaddresses

Eliminação

Ferramentas elétricas, acessórios e embalagens devem ser enviados a uma reciclagem ecológica de matérias-primas.



Não deitar ferramentas elétricas no lixo doméstico!

中文

安全规章

电动工具通用安全警告

警告！

阅读随电动工具提供的所有安全警告、说明、图示和规定。

不遵照以下所列说明会导致电击、着火和/或严重伤害。

保存所有警告和说明书以备查阅。

警告中的术语“电动工具”是指市电驱动（有线）电动工具或电池驱动（无线）电动工具。

工作场地的安全

- ▶ 保持工作场地清洁和明亮。杂乱和黑暗的场地会引发事故。
- ▶ 不要在易爆环境，如有易燃液体、气体或粉尘的环境下操作电动工具。电动工具产生的火花会点燃粉尘或气体。
- ▶ 操作电动工具时，远离儿童和旁观者。注意力不集中会使你失去对工具的控制。

电气安全

- ▶ 电动工具插头必须与插座相配。绝不能以任何方式改装插头。需接地的电动工具不能使用任何转换插头。未经改装的插头和相配的插座将降低电击风险。
- ▶ 避免人体接触接地表面，如管道、散热片和冰箱。如果你身体接触接地表面会增加电击风险。
- ▶ 不得将电动工具暴露在雨中或潮湿环境中。水进入电动工具将增加电击风险。
- ▶ 不得滥用软线。绝不能用软线搬运、拉动电动工具或拔出其插头。使软线远离热源、油、锐边或运动部件。受损或缠绕的软线会增加电击风险。
- ▶ 当在户外使用电动工具时，使用适合户外使用的延长线。适合户外使用的电线将降低电击风险。
- ▶ 如果无法避免在潮湿的环境中操作电动工具，应使用带有剩余电流装置（RCD）保护的电源。RCD的使用可降低电击风险。

人身安全

- ▶ 保持警觉，当操作电动工具时关注所从事的操作并保持清醒。当你感到疲倦，或在有药物、酒精或治疗反应时，不要操作电动工具。在操作电动工具时瞬间的疏忽会导致严重人身伤害。
- ▶ 使用个人防护装置。始终佩戴护目镜。防护装置，诸如适当条件下使用防尘面具、防滑安全鞋、安全帽、听力防护等装置能减少人身伤害。
- ▶ 防止意外起动。在连接电源和/或电池包、拿起或搬运工具前确保开关处于关闭位置。手指放在开关上搬运工具或开关处于接通时通电会导致危险。
- ▶ 在电动工具接通之前，拿掉所有调节钥匙或扳手。遗留在电动工具旋转零件上的扳手或钥匙会导致人身伤害。

- ▶ 手不要过分伸展。时刻注意立足点和身体平衡。这样能在意外情况下能更好地控制住电动工具。
- ▶ 着装适当。不要穿宽松衣服或佩戴饰品。让你的头发和衣服远离运动部件。宽松衣服、配饰或长发可能会卷入运动部件。
- ▶ 如果提供了与排屑、集尘设备连接用的装置，要确保其连接完好且使用得当。使用集尘装置可降低粉尘引起的危险。
- ▶ 不要因为频繁使用工具而产生的熟悉感而掉以轻心，忽视工具的安全准则。某个粗心的动作可能在瞬间导致严重的伤害。

电动工具使用和注意事项

- ▶ 不要勉强使用电动工具，根据用途使用合适的电动工具。选用合适的按照额定值设计的电动工具会使你工作更有效、更安全。
- ▶ 如果开关不能接通或关断电源，则不能使用该电动工具。不能通过开关来控制的电动工具是危险的且必须进行修理。
- ▶ 在进行任何调节、更换附件或贮存电动工具之前，必须从电源上拔掉插头和/或卸下电池包（如可拆卸）。这种防护性的安全措施降低了电动工具意外起动的风险。
- ▶ 将闲置不用的电动工具贮存在儿童所及范围之外，并且不允许不熟悉电动工具和不了解这些说明的人操作电动工具。电动工具在未经培训的使用者手中是危险的。
- ▶ 维护电动工具及其附件。检查运动部件是否调整到位或卡住，检查零件破损情况和影响电动工具运行的其他状况。如有损坏，应在使用前修理好电动工具。许多事故是由维护不良的电动工具引发的。
- ▶ 保持切削刀具锋利和清洁。维护良好地有锋利切削刃的刀具不易卡住而且容易控制。
- ▶ 按照使用说明书，并考虑作业条件和要进行的作业来选择电动工具、附件和工具的刀头等。将电动工具用于那些与其用途不符的操作可能会导致危险情况。
- ▶ 保持手柄和握持表面干燥、清洁，不得沾有油脂。在意外的情况下，湿滑的手柄不能保证握持的安全和对工具的控制。

维修

- ▶ 由专业维修人员使用相同的备件维修电动工具。这将保证所维修的电动工具的安全。

所有圆锯的安全说明

锯割步骤

- ▶ **危险！**让手始终远离锯割区域和锯片。另一只手始终握住辅助手柄或电动机机壳。如果双手都握住圆锯，就不会切到手。
- ▶ 不得接触工件的下面。护罩不能防止工件下方锯片的危险
- ▶ 将锯割深度调至工件的厚度。能看到在工件下方露出的锯齿应不到一个齿高。
- ▶ 不得手持工件或将工件架在腿上进行锯割，应将工件固定在一个稳定的平台上。适当支撑工件对减

少人身伤害、锯片卡住或操作失控是至关重要的。

- ▶ **当在锯割附件可能触及暗线或其自身导线的场合进行操作时,要通过绝缘握持面握持工具。** 锯割附件碰到带电导线会使工具外露的金属零件带电而使操作者受到电击。
- ▶ **当锯割时,始终使用劈锯靠栅和直边导向器。** 这样会改善锯割精度并减小锯片卡住的几率。
- ▶ **始终使用具有正确轴孔尺寸和形状(方形或圆形)的锯片。** 如果锯片与圆锯夹装部件不符将引起偏心运转而导致失控。
- ▶ **不得使用损坏的或尺寸不符的垫圈或螺栓。** 为达到最佳操作性能并确保安全操作,锯片垫圈及螺栓是为所使用的圆锯专门设计的。

回弹的原因和相关警告

- 回弹是当锯片受挤压、被卡住或偏离中心时受到的突然反作用,使圆锯不受控制地抬起并脱离工件冲向操作者。

- 当锯片受挤压或被收拢的切口紧紧卡住时,锯片堵转且电动机反作用力驱使整机向操作者快速弹回。

- 如果锯片发生扭曲或偏离锯割面,锯片后边缘上的锯齿会挖入木材上表面从而使锯片爬出切口并向操作者回弹。

回弹是误用圆锯和/或不正确操作步骤或条件导致的结果,采取以下适当预防措施能避免回弹:

- ▶ **双手紧握圆锯的把手,双臂放置得能抵住回弹力。** 身体处于圆锯的任意一侧,不要对准锯片。回弹会导致圆锯向后弹起,但如果采取适当的防备措施,操作者可以控制住回弹力。
- ▶ **当锯片卡住,或因任何原因导致锯割中断时,释放开关扳机并保持圆锯在材料中不移动,直到锯片完全停止。** 不得在锯片处于运转或可能发生回弹的情况下尝试将圆锯从工件中移出或向后拉动圆锯。调查并采取纠正措施以消除锯片卡住的原因。
- ▶ **当在工件中重新启动圆锯时,将锯片对准切口而不使锯齿插入材料中。** 如果锯片卡住了,工具重新启动时,锯片会爬出工件或从工件上回弹。
- ▶ **支撑大型板料以减少锯片受挤压和回弹的风险。** 大型板料会因自重而下垂,支撑物必须放置在板料下面的两侧,靠近锯割线和板料边缘。
- ▶ **不得使用不锋利的或安装不当的锯片。** 没有开锋的或安装不当的锯片会形成窄小的切口,从而导致过度摩擦、锯片卡住和回弹。
- ▶ **锯割之前,必须旋紧和紧固锯割深度和倾斜角调节锁定钮。** 如果锯割时锯片调节器发生移动,可能会引起锯片卡住和回弹。
- ▶ **当对现存墙体或其他盲区进行锯割时要格外小心。** 伸出的锯片可能锯割到会引起回弹的物体。

下护罩功能

- ▶ **每次使用前,检查下护罩闭合是否自如。** 如果下护罩不能自如活动并迅速闭合,则不得操作圆锯。不得将下护罩夹住或系绑在开启位置。如果圆锯意外跌落,下护罩可能会弯曲变形,用回缩手柄抬起下护罩,确信在任何锯割角度和深度下护罩活动自如,且不会触及锯片或任何其他零件。

- ▶ **检查下护罩弹簧的工作情况,如果护罩及弹簧不能正常工作,必须在使用前对其进行维修。** 下护罩可能因零件损害、胶质沉积或废屑堆积而运动迟缓。
- ▶ **仅当特殊锯割,例如“插入式锯割”和“组合式锯割”,才可用手动方式抬起下护罩。** 用回缩手柄抬起下护罩,一旦锯片进入到锯割材料就必须立即释放放下护罩。对所有其他锯割作业,下护罩应自动工作。
- ▶ **在把圆锯放置在工作台或地上之前,应始终察看下护罩是否遮住锯片。** 没有防护的、惯性运转的锯片会引起圆锯后退,锯割到其行程上的任何物体。要考虑到开关释放后锯片停下来的时间。

其他安全规章

- ▶ **不要用手抓握排屑槽。** 可能会被旋转部件伤到。
- ▶ **不要在头顶操作电锯。** 此时您无法完全控制电动工具。
- ▶ **使用合适的侦测装置侦察隐藏的电线,或者向当地的相关单位寻求支援。** 接触电线可能引起火灾并让操作者触电。损坏了瓦斯管会引起爆炸。凿穿水管不仅会造成严重的财物损失,也可能导致触电。
- ▶ **工作时要使用双手握紧电动工具并确保站稳。** 使用双手才能够稳定地操作电动工具。
- ▶ **本电动工具不适合固定式操作。** 不可以把本机器固定在锯台上使用。
- ▶ **在非直角切入时确保电锯的导板不会侧移。** 侧移可能会导致锯片夹住并因此而回弹。
- ▶ **固定好工件。** 使用固定装置或老虎钳固定工件,会比用手持握工件更牢固。
- ▶ **等待电动工具完全静止后才能够放下机器。** 机器上的工具可能在工作中被夹住,而令您无法控制电动工具。
- ▶ **不要使用高速钢锯片。** 此类锯片容易折断。
- ▶ **不要锯切铁族金属。** 带火星的切屑可能会点燃粉尘吸尘器。
- ▶ **请佩戴防尘面具。**

产品和性能说明



请阅读所有安全规章和指示。不遵照以下警告和说明可能导致电击、着火和/或严重伤害。

请注意本使用说明书开头部分的图示。

按照规定使用

本电动工具适合在稳固的底座上对木材进行纵向和横向直线锯割以及斜角锯割。

插图上的机件

机件的编号和电动工具详解图上的编号一致。

- (1) 起停开关
- (2) 起停开关的开机锁
- (3) 辅助手柄 (绝缘握柄)^{a)}
- (4) 主轴锁定键

- (5) 斜切角的刻度
- (6) 斜切角预选的翼形螺栓
- (7) 平行限制器的翼形螺栓
- (8) 切割标记45度
- (9) 切割标记0度
- (10) 平行限制器
- (11) 摆动防护罩
- (12) 底板
- (13) 摆动防护罩的调整杆
- (14) 出屑口
- (15) 防护罩
- (16) 手柄 (绝缘握柄)
- (17) 内六角扳手^{a)}
- (18) 带垫片的夹紧螺栓
- (19) 夹紧法兰
- (20) 圆锯锯片^{a)}
- (21) 带固定法兰的电锯主轴
- (22) 切割深度预选夹紧杆
- (23) 切割深度刻度
- (24) 成对螺旋夹钳^{b)}
- (25) 吸尘适配接头^{a)}

a) 图表或说明上提到的附件，并不包含在基本的供货范围中。本公司的附件清单中有完整的附件供应项目。

b) 市售 (不包含在供货范围之内)

技术参数

手动圆锯		GKS 130
物品代码		3 601 FC3 0..
额定输入功率	瓦	1300
空载转速	转/分钟	5800
锯片直径为184毫米时的最大切削深度		
- 斜切角度0度时	毫米	64
- 斜切角度45度时	毫米	45
主轴锁		●
底板尺寸	毫米	290 x 150
最大锯片直径	毫米	184
最小锯片直径	毫米	184
最大锯片体厚度	毫米	2.0
接头孔径	毫米	20
重量符合	公斤	3.9
EPTA-Procedure 01:2014		
保护等级		□/II

所有参数适用于230伏的额定电压[U]，对于其他不同的电压和国际规格，数据有可能不同。

安装

▶ 所使用的锯片的最高许可转速必须高于电动工具
的无负载转速。

安装/更换圆锯锯片

- ▶ 在电动工具上进行所有操作之前都必须从插座上
拔出电源插头。
- ▶ 安装锯片时务必穿戴防护手套。手如果接触锯片
可能被割伤。
- ▶ 千万不可以使用研磨片充当刀具。

拆卸锯片 (见图片 A)

更换刀具时最好以马达箱朝下的方式竖起电动工
具。

- 按压主轴锁定键(4)并按住。
- ▶ 待主轴完全静止后，才可以使用主轴锁定键(4)。
否则可能会损坏电动工具。
- 用内六角扳手(17)将夹紧螺栓(18)朝旋转方向⊙
旋出。
- 翻回摆动防护罩(11)并固定住。
- 将夹紧法兰(19)和锯片(20)从带固定法兰的电锯
主轴(21)上取下。

选择锯片

本说明书的末端，有锯刀的一览表。

安装锯片 (见图片 A)

更换刀具时最好以马达箱朝下的方式竖起电动工
具。

- 清洁锯片(20)和所有待安装的夹紧件。
- 翻回摆动防护罩(11)并固定住。
- 将锯片(20)放到带固定法兰的电锯主轴(21)上。
锯齿的切割方向 (锯片上的箭头方向) 与防护罩
(15)上的旋转方向箭头必须一致。
- 放上夹紧法兰(19)并将夹紧螺栓(18)朝旋转方向
⊙拧紧。请注意带固定法兰的电锯主轴(21)和夹
紧法兰(19)的安装位置是否正确。
- 按压主轴锁定键(4)并按住。
- 用内六角扳手(17)将夹紧螺栓(18)朝旋转方向⊙
拧紧。拧紧力矩约为6-9牛米，相当于手动拧紧
四分之一周。

吸锯尘/吸锯屑

含铅的颜料以及某些木材、矿物和金属的加工废尘
有害健康。机器操作者或者工地附近的人如果接
触、吸入这些废尘，可能会有过敏反应或者感染呼
吸道疾病。

某些尘埃 (例如加工橡木或山毛榉的废尘) 可能致
癌，特别是和处理木材的添加剂 (例如木材的防腐
剂等) 结合之后。只有经过专业训练的人才能够加
工含石棉的物料。

- 尽可能使用适合物料的吸尘装置。
- 工作场所要保持空气流通。
- 最好佩戴P2滤网等级的口罩。

请留心并遵守贵国和加工物料有关的法规。

- ▶ **避免让工作场所堆积过多的尘垢。** 尘埃容易被点燃。

安装吸尘适配器 (参见插图 E)

将吸尘适配器(25)插到锯屑排口(14)上, 直至卡止。

可在吸尘适配器(25)上连接一根直径为35毫米的抽吸软管。

- ▶ **不得在未连接外部集尘装置的情况下安装吸尘适配器。** 否则可能造成机器的排尘管道阻塞。

- ▶ **吸尘适配器上不得连接集尘袋。** 这样会造成机器的排尘系统阻塞。

为确保最佳的集尘效果, 必须定期清洁吸尘适配器(25)。

外部集尘装置

将抽吸软管与吸尘器(附件)连接。在本使用说明的末尾可以找到各种集尘器的连接概览。

电动工具可直接连接到带远程启动功能的博世通用吸尘器的电源插座上。开动电动工具时吸尘器会跟着启动。

根据工件的物料选择合适的吸尘装置。

吸集可能危害健康、可能导致癌症或干燥的废尘时, 务必使用特殊的吸尘装置。

运行

- ▶ **在电动工具上进行所有操作之前都必须从插座上拔出电源插头。**

运行模式

调整切削深度 (参考插图 B)

- ▶ **请根据工件厚度调整切削深度。** 不可以让锯齿完全突出于工件之外。

请松开夹紧杆(22)。如需减小切削深度, 请将锯片拉离底板(12), 如要增大切削深度, 请朝底板(12)按压锯片。参考锯深刻度尺调整好锯深。请再次拧紧夹紧杆(22)。

如果在松开夹紧杆(22)后无法彻底调节切削深度, 请将夹紧杆(22)从锯上拉开并向下翻转。再次松开夹紧杆(22)。重复这个过程, 至调整好需要的锯深为止。

如果在拧紧夹紧杆(22)后无法牢牢固定切削深度, 请将夹紧杆(22)从锯上拉开并向上翻转。再次松开夹紧杆(22)。重复这个过程, 至固定好切削深度为止。

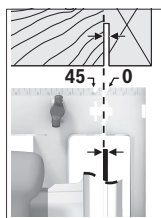
调整斜切角度

最好将电动工具放在防护罩(15)的正面。

请松开蝶翼螺丝(6)。将电锯移到侧面。参考刻度尺(5)调整好锯深。请再次拧紧蝶翼螺丝(6)。

提示: 斜切时, 切削深度小于锯深刻度尺(23)上显示的数值。

切割标记



切割标记0°(9)表示直角切割时锯片的位置。切割标记45°(8)表示45°切割时锯片的位置。

为了确保锯切尺寸准确, 请按照插图所示将圆锯放到工件上。最好先进行试锯。

投入使用

- ▶ **注意电源电压!** 电源的电压必须和电动工具铭牌上标示的电压一致。标记为230伏电动工具用220伏的电压可以驱动。

接通/关闭

- ▶ **请确保握住手柄时可以开启/关闭开关。**

使用电动工具时先操纵开机锁(2), 接着按压起停开关(1)并按住。

关闭电动工具时, 请松开起停开关(1)。

提示: 基于安全的顾虑, 起停开关(1)无法被锁定。所以操作机器时必须持续地按住开关。

工作提示

- ▶ **在电动工具上进行所有操作之前都必须从插座上拔出电源插头。**

切割宽度根据所用锯片而有所不同。

保护锯片免受冲撞和敲击。

用力均匀地推进电动工具, 并朝着切割方向轻轻推动, 以便获得良好的切割质量。推动电动工具时如果用力过猛, 不但会明显降低工具刀头的使用寿命, 而且可能损坏电动工具。

锯切功率和切割质量主要由锯片的状况和锯片齿形决定。因此只能使用锋利和适合工件材料的锯片。

锯割木材

根据木材的种类、木材的品质以及锯割的方向(顺着木纹锯割或与木纹交叉锯割)选择合适的锯片。

顺着木纹锯割红杉时会产生生长的螺旋形木屑。

山毛榉和橡木粉尘对健康特别危险, 所以只能通过尘粒抽吸设备清理灰尘。

用平行限制器锯切 (见图片 C)

平行限制器(10)可以沿着工件边缘精确切割或切割相同尺寸的板条。

松开蝶翼螺丝(7), 将平行限制器(10)的刻度推过底座(12)中的导向件。将所需的切割宽度设置为相应切割标记(9)或(8)上的刻度值, 参见“切割标记”段落。再次拧紧蝶翼螺丝(7)。

用平行限制器锯切 (见图片 D)

分割大的工件或锯割直边时, 可以用弓形夹钳把木板或木条固定在工件上充当辅助挡块, 接着再沿着辅助挡块移动底座。

维修和服务

维护和清洁

- ▶ 在电动工具上进行所有操作之前都必须从插座上拔出电源插头。
- ▶ 电动工具和通气孔必须随时保持清洁，以确保工作效率和工作安全。

如果必须更换连接线，务必把这项工作交给Bosch或者经授权的Bosch电动工具顾客服务执行，以避免危害机器的安全性能。

活动防护罩必须能够无阻地摆动，并且要能够自动关闭。所以防护罩的四周必须随时保持清洁。请用刷子去除粉尘和碎屑。

如果锯片未上保护漆，可以在锯片上涂抹一层薄薄的无酸润滑油以预防锯片生锈。使用机器之前必须清除油层，否则会在木材上留下污斑。

锯片如果沾了残馀的树脂和胶水会影响锯齿效果。因此使用机器后必须马上清洁锯片。

客户服务和应用咨询

本公司顾客服务处负责回答有关本公司产品的修理、维护和备件的问题。备件的展开图纸和信息也可查看：www.bosch-pt.com
博世应用咨询团队乐于就我们的产品及其附件问题提供帮助。

询问和订购备件时，务必提供机器铭牌上标示的10位数物品代码。

中国大陆

博世电动工具（中国）有限公司
中国 浙江省 杭州市
滨江区 滨康路567号
102/1F 服务中心
邮政编码：310052
电话：(0571)8887 5566 / 5588
传真：(0571)8887 6688 x 5566# / 5588#
电邮：bsc.hz@cn.bosch.com
www.bosch-pt.com.cn

制造商地址：

Robert Bosch Power Tools GmbH
罗伯特·博世电动工具有限公司
70538 Stuttgart / GERMANY
70538 斯图加特 / 德国

其他服务地址请见：

www.bosch-pt.com/serviceaddresses

处理废弃物

必须以符合环保要求的方式回收再利用电动工具、附件和包装材料。



不可以把电动工具丢入家庭垃圾中！

产品中有害物质的名称及含量

部件名称	有害物质					
	铅 (Pb)	汞 (Hg)	镉 (Cd)	六价铬 (Cr ⁺⁶)	多溴联苯 (PBB)	多溴二苯醚 (PBDE)
外壳的金属部分	○	○	○	○	○	○
外壳的非金属部分	○	○	○	○	○	○
机械传动机构	X	○	○	○	○	○
电机组件	X	○	○	○	○	○
控制组件	X	○	○	○	○	○
附件	○	○	○	○	○	○
配件	○	○	○	○	○	○
连接件	X	○	○	○	○	○
电源线①	○	○	○	○	○	○
电池系统②	X	○	○	○	○	○

本表格依据SJ/T11364的规定编制。

○：表示该有害物质在该部件所有均质材料中的含量均在GB/T 26572规定的限量要求以下。

X：表示该有害物质至少在该部件的某一均质材料中的含量超出GB/T 26572规定的限量要求。且目前业界没有成熟的替代方案，符合欧盟RoHS指令环保要求。

① 适用于采用电源线连接供电的产品。

② 适用于采用充电电池供电的产品。

产品环保使用期限内的使用条件参见产品说明书。

繁體中文

安全注意事項

電動工具一般安全注意事項

警告 請詳讀工作臺及電動工具的所有安全警告與使用說明。若不遵照以下列出的指示，將可能導致電擊、著火和/或人員重傷。

保存所有警告和說明書以備查閱。

在所有警告中，「電動工具」此一名詞泛指：以市電驅動的（有線）電動工具或是以電池驅動的（無線）電動工具。

工作場地的安全

- ▶ 保持工作場地清潔和明亮。混亂和黑暗的場地會引發事故。
- ▶ 不要在易爆環境，如有易燃液體、氣體或粉塵的環境下操作電動工具。電動工具產生的火花會點燃粉塵或氣體。
- ▶ 讓兒童和旁觀者離開後操作電動工具。注意力不集中會使您失去對工具的控制。

電氣安全

- ▶ 電動工具插頭必須與插座相配。絕不能以任何方式改裝插頭。需接地的電動工具不能使用任何轉換插頭。未經改裝的插頭和相配的插座將減少電擊危險。
- ▶ 避免人體接觸接地表面，如管道、散熱片和冰箱。如果您身體接地會增加電擊危險。
- ▶ 不得將電動工具暴露在雨中或潮濕環境中。水進入電動工具將增加電擊危險。
- ▶ 不得濫用電線。絕不能用電線搬運、拉動電動工具或拔出其插頭。使電線遠離熱源、油、銳利邊緣或移動零件。受損或纏繞的軟線會增加電擊危險。
- ▶ 當在戶外使用電動工具時，使用適合戶外使用的延長線。適合戶外使用的軟線，將減少電擊危險。
- ▶ 如果在潮濕環境下操作電動工具是不可避免的，應使用剩餘電流動作保護器（RCD）。使用RCD可降低電擊危險。

人身安全

- ▶ 保持警覺，當操作電動工具時關注所從事的操作並保持清醒。當您感到疲倦，或在有藥物、酒精或治療反應時，不要操作電動工具。在操作電動工具時瞬間的疏忽會導致嚴重人身傷害。
- ▶ 使用個人防護裝置。始終佩戴護目鏡。安全裝置，諸如適當條件下使用防塵面具、防滑安全鞋、安全帽、聽力防護等裝置能減少人身傷害。
- ▶ 防止意外起動。確保開關在連接電源和/或電池盒、拿起或搬運工具時處於關閉位置。手指放在已接通電源的開關上或開關處於接通時插入插頭可能會導致危險。

- ▶ 在電動工具接通之前，拿掉所有調節鑰匙或扳手。遺留在電動工具旋轉零件上的扳手或鑰匙會導致人身傷害。
- ▶ 手不要伸展得太長。時刻注意立足點和身體平衡。這樣在意外情況下能很好地控制電動工具。
- ▶ 著裝適當。不要穿寬鬆衣服或佩戴飾品。讓您的衣物及頭髮遠離運動部件。寬鬆衣服、佩飾或長髮可能會捲入運動部件中。
- ▶ 如果提供了與排屑、集塵設備連接用的裝置，要確保他們連接完好且使用得當。使用這些裝置可減少塵屑引起的危險。
- ▶ 切勿因經常使用工具所累積的熟練感而過度自信，輕忽工具的安全守則。任何一個魯莽的舉動都可能瞬間造成人員重傷。

電動工具使用和注意事項

- ▶ 不要濫用電動工具，根據用途使用適當的電動工具。選用適當設計的電動工具會使您工作更有效、更安全。
- ▶ 如果開關不能開啟或關閉工具電源，則不能使用該電動工具。不能用開關來控制的電動工具是危險的且必須進行修理。
- ▶ 在進行任何調整、更換配件或貯存電動工具之前，必須從電源上拔掉插頭並/或取出電池盒。這種防護性措施將減少工具意外起動的危險。
- ▶ 將閒置不用的電動工具貯存在兒童所及範圍之外，並且不要讓不熟悉電動工具或對這些說明不瞭解的人操作電動工具。電動工具在未經培訓的用戶手中是危險的。
- ▶ 保養電動工具與配備。檢查運動件是否調整到位或卡住，檢查零件破損情況和影響電動工具運行的其他狀況。如有損壞，電動工具應在使用前修理好。許多事故由維護不良的電動工具引發。
- ▶ 保持切削刀具鋒利和清潔。保養良好的有鋒利切削刃的刀具不易卡住而且容易控制。
- ▶ 按照使用說明書，考慮作業條件和進行的作業來使用電動工具、配件和工具的刀頭等。將電動工具用於那些與其用途不符的操作可能會導致危險。
- ▶ 把手及握持區應保持乾燥、潔淨，且不得沾染任何油液或油脂。易滑脫的把手及握持區將無法讓您在發生意外狀況時安全地抓緊並控制工具。

檢修

- ▶ 將您的電動工具送交專業維修人員，必須使用同樣的備件進行更換。這樣將確保所維修的電動工具的安全性。

圓鋸機安全注意事項

切割程序

- ▶ **危險**：雙手需遠離切割區域和刀片。請將另一隻手放在輔助把手或馬達外殼上。雙手皆握住電鋸可有效減少手部被刀片割傷的風險。
- ▶ 請勿將手放在工件的下方。若放在工件的下方，防護蓋將無法保護您不受刀片的威脅。
- ▶ 將切割深度調整為工件的厚度。工件下方應不會出現刀片鋸齒的完整鋸齒。

- ▶ 切割時，切勿用手握住待切割的工件或讓工件跨過腿部。將工件固定到穩定的平台。請務必適當地支撐切削工作，盡可能減少身體曝露、刀片卡死或失控。
- ▶ 進行作業時，負責進行切割的工具可能會碰觸到隱藏的配線或電動工具的電線，請從絕緣握把處拿持電動工具。若是觸及「帶電」的電線，可能導致電動工具外露的金屬部件「帶電」，進而使操作人員遭受電擊。
- ▶ 進行劈鋸時，請使用劈鋸護欄或垂直邊緣護欄。這樣可能提升切割精確度並降低刀片卡死的機率。
- ▶ 請務必使用具備正確尺寸和心軸形狀（鑽石或圓形）的刀片。不符合鋸片安裝硬體的刀片在運轉時將會偏離中心，進而導致失控。
- ▶ 請勿使用損壞或不正確的刀片墊片或螺栓。刀片墊片是針對您的電鋸專門設計，能確保其運作效能與操作安全性。

反彈原因與相關警告

- 反彈是在鋸片卡住、夾住或錯位時瞬間產生的反作用力，可能造成電鋸無法控制，讓工件朝向操作人員彈出；

- 刀片被閉合的切口緊緊卡住或夾住時，刀片即無法順利向前移動，而馬達的反作用力則會使裝置朝向操作人員快速向後彈出；

- 如果在切割中刀片扭曲或錯位，則刀片背面邊緣上的鋸齒可能會鑽進木材表面，而使刀片脫出切口或朝向操作人員反彈。

反彈是不當使用電鋸及／或操作程序（條件）不正確所造成的結果。採取以下適當預防措施，則可避免此一情況。

- ▶ 用雙手穩定地握住電鋸上的握把，並放穩雙臂以抵抗反彈的力量。讓您的身體位在刀片的兩側位置，但不與刀片對齊。反彈可能導致電鋸向後彈，但如果採取了適當的預防措施，則可由操作人員來控制反彈的力量。
- ▶ 當刀片因任何原因卡死不動或中斷切割時，請鬆開開關，並讓刀片停留在材質中不要移動，直至完全停止轉動。切勿試圖移開運作中的電鋸，或在刀片移動時將電鋸向後拉，否則可能會出現反彈狀況。瞭解情況並採取更正措施，以消除刀片卡死的原因。
- ▶ 當在工件中重新啟動鋸片時，請將鋸片居中對齊切口，使鋸齒不會與材質啮合。如果鋸片卡死不動，重新啟動可能會使鋸片向前進或從工件反彈。
- ▶ 支撐控制板以降低刀片卡住及發生反彈的風險。大型控制板可能因其本身的重量而下垂。必須在控制板下方兩側、靠近切割線及靠近控制板邊緣加以支撐。
- ▶ 請勿使用已磨鈍或受損的刀片。未磨銳或未正確安裝的刀片會產生窄小的切口，造成阻力過大、刀片卡住和反彈。
- ▶ 在進行切割之前，刀片深度和斜角調整鎖定桿必須鎖緊並固定。切割時，如果刀片調整鎖定桿移動，可能會導致卡死和反彈。

- ▶ 鋸切現有的牆面或其他盲區時需特別小心。穿透的切片可能會切到會造成反彈的物體。

下方防護蓋功能

- ▶ 每次使用之前應檢查下方防護蓋是否正確關閉。若下方防護蓋無法自由移動，請勿操作電鋸並立即關閉。切勿將下方防護蓋夾住或固定在開啟位置。如果電鋸意外掉落，下方防護蓋可能會彎曲。利用回縮把手提起下方防護蓋，並確保防護蓋在所有角度和切割深度下皆可自由移動，且不會接觸到刀片或任何其他零件。
- ▶ 檢查下方防護蓋回位彈簧的操作。如果防護蓋和彈簧未正常運作，則必須在使用前進行維修。下方防護蓋可能會因損壞的零件、黏滯沉積物或碎片的累積而導致運作緩慢。
- ▶ 下方防護蓋只能在進行特殊切割（如「穿刺切割」和「複合切割」）時手動回縮。利用回縮把手升起下方防護蓋，並在刀片進入材質時必須盡快鬆開下方防護蓋。針對所有其他鋸切作業，下方防護蓋將會自動運作。
- ▶ 將電鋸放置在鋸台或地板上之前，請務必以下方防護罩覆蓋刀片。未受保護的慣性移動刀片將會導致電鋸向後移動，並切割移動路徑上的物體。注意在鬆開開關後鋸片停止所需要的時間。

其他安全注意事項

- ▶ 切勿徒手抓握出屑口。此處有旋轉部件，可能造成您受傷。
- ▶ 作業時，請勿讓電鋸的位置高於頭部。否則將無法充份控制電動工具的運作。
- ▶ 使用合適的偵測裝置偵察隱藏的電線，或者向當地的相關單位尋求支援。接觸電線可能引起火災並讓操作者觸電。若損壞瓦斯管會引起爆炸。鑿穿水管不僅會造成嚴重的財物損失，也可能導致觸電。
- ▶ 作業期間請用雙手牢牢握緊電動工具並保持穩固。使用雙手才能夠更穩定地操作電動工具。
- ▶ 此電動工具請勿採取定位加工。它的設計並不是用來搭配鋸台使用。
- ▶ 進行非直角的「盲切」時，請固定此電鋸機的導板，以防發生側向偏移。側向偏移可能造成鋸片卡死，而使工具反彈。
- ▶ 固定好工件。使用固定裝置或老虎鉗固定工件，會比用手持握工件更牢固。
- ▶ 必須等待電動工具完全靜止後才能將它放下。嵌件工具可能卡住而使電動工具失控。
- ▶ 請勿使用高合金快速鋼（HSS）材質的鋸片。此類鋸片容易折斷。
- ▶ 請勿鋸切鐵金屬。發燙的加工碎屑可能點燃吸塵裝置。
- ▶ 請佩戴防塵面罩。

產品和功率描述



請詳讀所有安全注意事項和指示。如未遵守安全注意事項與指示，可能導致火災、人員遭受電擊及／或重傷。
請留意操作說明書中最前面的圖示。

依規定使用機器

本電動工具適合在穩固的底座上，對木材進行縱向和橫向的直線鋸切。

插圖上的機件

機件的編號和電動工具詳解圖上的編號一致。

- (1) 起停開關
- (2) 起停開關的作動安全鎖
- (3) 輔助手柄（絕緣握柄）^{a)}
- (4) 主軸鎖止按鈕
- (5) 斜鋸角刻度尺
- (6) 設定斜鋸角的蝶翼螺栓
- (7) 平行擋塊的蝶翼螺栓
- (8) 45° 切割標記
- (9) 0° 切割標記
- (10) 平行擋塊
- (11) 活動防護罩
- (12) 底座
- (13) 活動防護罩調整扳桿
- (14) 出屑口
- (15) 防護罩
- (16) 把手（絕緣握柄）
- (17) 內六角扳手^{a)}
- (18) 具有墊片的夾緊螺栓
- (19) 緊固法蘭
- (20) 圓鋸片^{a)}
- (21) 具有配接法蘭的電鋸主軸
- (22) 設定鋸切深度的緊固扳桿
- (23) 鋸深刻度尺
- (24) 一對活動夾鉗^{b)}
- (25) 吸塵轉接頭^{a)}

a) 圖文中提到的配件，並不包含在基本的供貨範圍中。本公司的配件清單中有完整的配件供應項目。

b) 一般市售（不包含在供貨範圍）

技術性數據

手提圓鋸機		GKS 130
產品機號		3 601 FC3 0..
額定輸入功率	W	1300
無負載轉速	次 / 分	5800
使用直徑 184 mm 鋸片時的最大鋸切深度		
- 斜鋸角為 0° 時	mm	64
- 斜鋸角為 45° 時	mm	45
主軸鎖		●
底座尺寸	mm	290 x 150
最大鋸片直徑	mm	184
最小鋸片直徑	mm	184

手提圓鋸機		GKS 130
鋸片主體的最大厚度	mm	2.0
接頭孔徑	mm	20
重量符合 EPTA-Procedure 01:2014	kg	3.9
絕緣等級		□/II

本說明書提供的參數是以 230 伏特為依據，於低電壓地區，此數據有可能不同。

安裝

► 所使用的鋸片的最高許可轉速必須高于電動工具的無負載轉速。

安裝/更換圓鋸片

► 維修電動工具或換裝零、配件之前，務必從插座上拔出插頭。

► 安裝鋸片時務必戴上防護手套。手如果接觸鋸片可能被割傷。

► 不得使用砂輪片作為切割工具。

拆卸鋸片（請參考圖 A）

更換刀具時最好以馬達機體正面朝下的方式豎起電動工具。

- 按壓主軸鎖止鍵 (4) 不要放開。

► 待電鋸主軸完全靜止後，才可以使用主軸鎖止鍵 (4)。否則可能造成電動工具損壞。

- 使用內六角扳手 (17) 將夾緊螺栓 (18) 沿旋轉方向 ① 鬆開。

- 將活動防護罩 (11) 往後翻，並讓它保持在這個位置上。

- 從具有配接法蘭的電鋸主軸 (21) 上取下緊固法蘭 (19) 和鋸片 (20)。

選擇鋸片

本手冊最後面另外刊錄了鋸片一覽表。

安裝鋸片（請參考圖 A）

更換刀具時最好以馬達機體正面朝下的方式豎起電動工具。

- 請清潔鋸片 (20) 以及所有即將裝上的緊固件。

- 將活動防護罩 (11) 往後翻，並讓它保持在這個位置上。

- 將鋸片 (20) 裝到具有配接法蘭的電鋸主軸 (21) 上。鋸齒的鋸切方向（即鋸片上的箭頭方向）必須與防護罩 (15) 上的旋轉方向指示箭頭一致。

- 裝上緊固法蘭 (19)，並沿旋轉方向 ② 旋入夾緊螺栓 (18)。請注意：具有配接法蘭的電鋸主軸 (21) 以及緊固法蘭 (19) 的安裝位置必須正確。

- 按壓主軸鎖止鍵 (4) 不要放開。

- 使用內六角扳手 (17) 將夾緊螺栓 (18) 沿旋轉方向 ② 旋緊。旋緊扭力應為 6–9 Nm，即徒手再多轉緊 ¼ 圈。

吸除廢塵/料屑

含鉛顏料、部分木材種類、礦石和金屬的加工廢塵有害健康。機器操作者或施工現場附近的人員如果

接觸、吸入這些廢塵，可能會引發過敏反應或感染呼吸道疾病。

某些塵埃（例如加工橡木或山毛櫸的廢塵）可能致癌，特別是與處理木材的添加劑（例如木材的防腐劑等）結合之後。唯有受過專業訓練的人才能夠進行含石棉物料的加工。

- 儘可能使用適合物料的吸塵裝置。
- 工作場所要保持空氣流通。
- 建議佩戴 P2 過濾等級的口罩。

請留意並遵守貴國的物料加工相關法規。

▶ **避免讓工作場所堆積過多的塵垢。** 塵埃容易被點燃。

安裝吸塵轉接頭（請參考圖 E）

將吸塵轉接頭 (25) 插到出屑口 (14) 上，直到確實卡上。

吸塵轉接頭 (25) 可連接直徑 35 mm 的吸塵管。

▶ **吸塵轉接頭若未外接其他吸塵裝備，則不得安裝在本產品上。** 否則可能造成機器的排塵管道阻塞。

▶ **吸塵轉接頭不得直接連接集塵袋。** 這樣會造成機器的排塵系統阻塞。

必須定期清潔吸塵轉接頭 (25)，以確保最佳吸塵效果。

外接其他的吸塵裝置

將吸塵管與吸塵器連接起來（配件）。本手冊的最後面另外刊錄了連接不同類型吸塵器的操作概覽。本電動工具可直接連接到博世全能型吸塵器的插座上，該吸塵器具備遙控啟動功能。當您啟動本電動工具時吸塵器也會跟著啟動。

根據工件材質選擇合適的吸塵裝置。

吸集可能危害健康、可能致癌或乾燥的廢塵時，務必使用特殊吸塵裝置。

操作

▶ **維修電動工具或換裝零、配件之前，務必從插座上拔出插頭。**

操作模式

調整鋸切深度（請參考圖 B）

▶ **請配合工件厚度來調整鋸切深度。** 不可以讓鋸齒完全突出於工件之外。

鬆開緊固扳桿 (22)。鋸切深度較小時，請您將電鋸抽離底座 (12)；鋸切深度較大時，請將電鋸往底座 (12) 方向推入。參考鋸深刻度尺調整好鋸深。將緊固扳桿 (22) 重新拉緊。

鬆開緊固扳桿 (22) 後，若所需的鋸切深度已超過調整範圍，請將緊固扳桿 (22) 從電鋸上拉開，然後往上翻轉。將緊固扳桿 (22) 重新放開。重複這個過程，直到調整好需要的鋸深為止。

拉緊緊固扳桿 (22) 後，若仍無法確實固定在所需鋸切深度，請將緊固扳桿 (22) 從電鋸上拉開，然後往上翻轉。將緊固扳桿 (22) 重新放開。重複這個過程，直到能夠固定在所需鋸切深度為止。

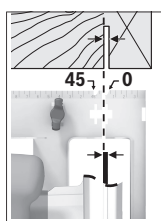
調整斜鋸角度

擱放電動工具時，最好以防護罩 (15) 正面朝下之方式放置。

鬆開蝶翼螺絲 (6)。側向翻轉電鋸。參考刻度尺 (5) 調整至所需尺寸。將蝶翼螺絲 (6) 重新旋緊。

提示：進行斜切時，實際的鋸切深度會比鋸深刻度尺 (23) 上顯示的數值還要小。

切割標記



0° 切割標記 (9) 代表的是：進行直角鋸切時鋸片的所在位置。

45° 切割標記 (8) 代表的是：進行 45° 鋸切時鋸片的所在位置。

為了確保鋸切的準確性，請按照插圖指示操作圓鋸機。最好先進行試鋸。

操作機器

▶ **請注意電源電壓！** 電源的電壓必須和電動工具銘牌上標示的電壓一致。標示為 230 V 的電動工具亦可接上 220 V 電源。

啟動/關閉

▶ **請確定您不用放開把手，就能操作起停開關。**

若要讓電動工具運轉，請先按下作動安全鎖 (2) 接著再按起停開關 (1) 不要放開。

放開起停開關 (1)，即可讓電動工具停止運轉。

提示：基於安全考量，無法鎖定起停開關 (1) 的位置，所以操作機器時必須持續按住此開關。

作業注意事項

▶ **維修電動工具或換裝零、配件之前，務必從插座上拔出插頭。**

根據您所使用的鋸片，切口寬度各有差異。

妥善保護鋸片，避免遭受衝擊和敲擊。

所以操作機器時必須施力均勻，並朝著切割方向輕輕推動工具，以獲得良好的切割品質。操作機器時如果推力過猛會縮短鋸片的使用壽命，並且造成電動工具損壞。

鋸切功率和鋸切效果，基本上是由鋸片的狀況和鋸片上鋸齒的形狀決定。因此只能使用銳利且適用於工件材質的鋸片。

鋸切木材

根據木材的種類、木材的品質以及鋸切的方向（順著木紋鋸切或與木紋交叉鋸切）選擇合適的鋸片。

順著木紋鋸切紅杉時會產生長的螺旋形木屑。

櫟木及橡木的鋸屑對人體健康極為有害，因此加工時請務必搭配吸塵裝置一起使用。

使用平行擋塊進行鋸切（請參考圖 C）

平行擋塊 (10) 可讓您沿著工件邊緣精準鋸切，或鋸切出寬度相同的長條狀。

請鬆開蝶翼螺絲 (7) 然後沿著底座 (12) 上的導槽推挪平行擋塊 (10)。請將對應之切割標記 (9) 或 (8)

の刻度値設為所需鋸切寬度，請參閱「切割標記」小節。將蝶翼螺絲 (7) 重新旋緊。

使用輔助擋塊進行鋸切 (請參考圖 D)

加工大型工件或鋸切直邊時，可以用弓形夾鉗把木板或木條固定在工件上充當輔助擋塊，接著再沿著輔助擋塊移動圓鋸機底座。

維修和服務

維修和清潔

- ▶ 維修電動工具或換裝零、配件之前，務必從插座上拔出插頭。
- ▶ 電動工具和通風口都必須保持清潔，這樣才能夠提高工作品質和安全性。

如果必須更換連接線，請務必交由 **Bosch** 或者經授權的 **Bosch** 電動工具顧客服務執行，以避免危害機器的安全性能。

活動防護罩必須能夠無阻礙地擺動，並且要能夠自動閉合。所以活動防護罩的四周必須隨時保持清潔。請用軟刷清除粉塵與鋸屑。

鋸片如果沒有保護塗層，可以在鋸片上塗抹一層薄薄的無酸潤滑油以預防鋸片生銹。使用機器之前必須清除油層，否則會在木材上留下污斑。

鋸片如果黏上了殘餘的樹脂和膠水，將影響鋸切效果。因此使用機器後必須馬上清潔鋸片。

顧客服務處和顧客諮詢中心

本公司顧客服務處負責回答有關本公司產品的維修、維護和備用零件的問題。以下的網頁中有分解圖和備用零件相關資料：www.bosch-pt.com

如果對本公司產品及其配件有任何疑問，博世應用諮詢小組很樂意為您提供協助。

當您需要諮詢或訂購備用零件時，請務必提供本產品型號銘牌上 10 位數的產品機號。

台灣

台灣羅伯特博世股份有限公司
建國北路一段 90 號 6 樓
台北市 10491
電話: (02) 7734 2588
傳真: (02) 2516 1176
www.bosch-pt.com.tw

制造商地址:

Robert Bosch Power Tools GmbH
羅伯特·博世電動工具有限公司
70538 Stuttgart / GERMANY
70538 斯圖加特/ 德國

以下更多客戶服務處地址：

www.bosch-pt.com/serviceaddresses

廢棄物處理

必須以符合環保的方式，回收再利用損壞的機器、配件和廢棄的包裝材料。



不可以把電動工具丟入家庭垃圾中。

ไทย

คำเตือนเพื่อความปลอดภัย

คำเตือนเพื่อความปลอดภัยทั่วไปสำหรับเครื่องมือไฟฟ้า

คำเตือน อ่านคำเตือนเพื่อความปลอดภัย คำแนะนำ ภาพประกอบ และข้อมูล

จำเพาะทั้งหมดที่จัดส่งมาพร้อมกับเครื่องมือไฟฟ้า

การไม่ปฏิบัติตามคำแนะนำทั้งหมดที่ระบุไว้ด้านล่างนี้อาจทำให้ถูกไฟฟ้าดูด เกิดไฟไหม้ และ/หรือได้รับบาดเจ็บอย่างร้ายแรง

เก็บรักษาคำเตือนและคำสั่งทั้งหมดสำหรับเปิดอ่านในภายหลัง

คำว่า "เครื่องมือไฟฟ้า" ในคำเตือนหมายถึง เครื่องมือไฟฟ้าของท่านที่ทำงานด้วยพลังงานไฟฟ้าจากแหล่งจ่ายไฟหลัก (มีสายไฟฟ้า) และเครื่องมือไฟฟ้าที่ทำงานด้วยพลังงานไฟฟ้าจากแบตเตอรี่ (ไร้สาย)

ความปลอดภัยในสถานที่ทำงาน

- ▶ รักษาสถานที่ทำงานให้สะอาดและมีไฟส่องสว่างดี สถานที่ที่มีมืดหรือรกรุงรังนำมาซึ่งอุบัติเหตุ
- ▶ อย่าใช้เครื่องมือไฟฟ้าทำงานในสภาพบรรยากาศที่จุดติดไฟได้ เช่น ในที่ที่มีของเหลวไวไฟ ก๊าซ หรือฝุ่น เมื่อใช้เครื่องมือไฟฟ้าจะเกิดประกายไฟซึ่งอาจจุดฝุ่นหรือไอให้ลุกเป็นไฟได้
- ▶ ขณะใช้เครื่องมือไฟฟ้าทำงาน ต้องกันเด็กและผู้ยืนดูให้ออกห่าง การหันเหความสนใจอาจทำให้ท่านขาดการควบคุมเครื่องได้

ความปลอดภัยเกี่ยวกับไฟฟ้า

- ▶ ปลั๊กของเครื่องมือไฟฟ้าต้องเหมาะสมพอดีกับเต้าเสียบ อย่าตัดแปลงปลั๊กไม่ว่าในลักษณะใดๆ อย่างเด็ดขาด อย่าใช้ปลั๊กฟ่วงต่อใดๆ กับเครื่องมือไฟฟ้าที่มีสายดิน ปลั๊กที่ไม่ตัดแปลงและเต้าเสียบที่เข้ากันช่วยลดความเสี่ยงจากการถูกไฟฟ้าดูด

- ▶ หลีกเลี่ยงอย่าให้ร่างกายสัมผัสกับพื้นผิวที่ต่อสายดินหรือลงกราวด์ไว้ เช่น ท่อ เครื่องทำความร้อน เตา และตู้เย็น จะเสี่ยงอันตรายจากการถูกไฟฟ้าดูดมากขึ้นหากกระแสไฟฟ้าวิ่งผ่านร่างกายของท่านลงดิน
- ▶ อย่าให้เครื่องมือไฟฟ้าถูกฝนหรืออยู่ในสภาพเปียกชื้น หากน้ำเข้าในเครื่องมือไฟฟ้า จะเพิ่มความเสี่ยงจากการถูกไฟฟ้าดูด
- ▶ อย่าใช้สายไฟฟ้าในทางที่ผิด อย่าใช้สายไฟฟ้าเพื่อยก ดึง หรือถอดปลั๊กเครื่องมือไฟฟ้า กั้นสายไฟฟ้าออกจากความร้อน น้ำมัน ขอบแหลมคม หรือชิ้นส่วนที่เคลื่อนที่ สายไฟฟ้าที่ชำรุดหรือพันกันยุ่งเพิ่มความเสี่ยงจากการถูกไฟฟ้าดูด
- ▶ เมื่อใช้เครื่องมือไฟฟ้าทางานกลางแจ้ง ให้ใช้สายไฟต่อที่เหมาะสมสำหรับการใช้งานกลางแจ้ง การใช้สายไฟต่อที่เหมาะสมสำหรับงานกลางแจ้ง ช่วยลดอันตรายจากการถูกไฟฟ้าดูด
- ▶ หากไม่สามารถหลีกเลี่ยงการใช้เครื่องมือไฟฟ้าทำงานในสถานที่เปียกชื้นได้ ให้ใช้สวิตช์ตัดวงจรเมื่อเกิดการรั่วไหลของไฟฟ้าจากสายดิน (RCD) การใช้สวิตช์ตัดวงจรเมื่อเกิดการรั่วไหลของไฟฟ้าจากสายดินช่วยลดความเสี่ยงต่อการถูกไฟฟ้าดูด

ความปลอดภัยของบุคคล

- ▶ ท่านต้องอยู่ในสภาพเตรียมพร้อม ระวังระดับแรงในสิ่งที่ท่านกำลังทำอยู่ และมีสติขณะใช้เครื่องมือไฟฟ้าทำงาน อย่าใช้เครื่องมือไฟฟ้าขณะที่ท่านกำลังเหนื่อย หรืออยู่ภายใต้การครอบงำของฤทธิ์ของยาเสพติด แอลกอฮอล์ และยา เมื่อใช้เครื่องมือไฟฟ้าทำงานในสถานที่ที่ท่านขาดความเอาใจใส่อาจทำให้บุคคลบาดเจ็บอย่างรุนแรงได้
- ▶ ใช้อุปกรณ์ปกป้องร่างกาย สวมแว่นตาป้องกันเสมอ อุปกรณ์ปกป้อง เช่น หน้ากากกันฝุ่น รองเท้านิรภัย หมวกแข็ง หรืออุปกรณ์ป้องกันเสียงดังที่ให้ความเหมาะสมกับสภาพการทำงาน จะลดการบาดเจ็บทางร่างกาย
- ▶ ป้องกันการติดเครื่องโดยไม่ตั้งใจ ตรวจสอบให้แน่ใจว่าสวิตช์อยู่ในตำแหน่งปิดก่อนเชื่อมต่อเข้ากับแหล่งจ่ายไฟ และ/หรือเบรกเกอร์พัก ยกหรือถือเครื่องมือถือเครื่องโดยใช้นิ้วหัวที่สวิตช์ หรือเสียบปลั๊กไฟฟ้าขณะสวิตช์เปิดอยู่ อาจนำไปสู่อุบัติเหตุที่ร้ายแรงได้
- ▶ นำเครื่องมือปรับแต่งหรือประแจปากดาบออกก่อนเปิดสวิตช์เครื่องมือไฟฟ้า เครื่องมือหรือประแจปากดาบที่วางอยู่กับส่วนของเครื่องที่กำลังหมุนจะทำให้บุคคลบาดเจ็บได้

- ▶ อย่าเอื้อมไกลเกินไป ตั้งหาชิ้นที่มั่นคงและวางน้ำหนักให้สมดุลตลอดเวลา ในลักษณะนี้ท่านสามารถควบคุมเครื่องมือไฟฟ้าในสถานการณ์ที่ไม่คาดคิดได้ดีกว่า
- ▶ แต่งกายอย่างเหมาะสม อย่าใส่เสื้อผ้าหลวมหรือสวมเครื่องประดับ เอาผมและเสื้อผ้าออกจากชิ้นส่วนที่เคลื่อนที่ เสื้อผ้าหลวม เครื่องประดับ และผม ยาวอาจเข้าไปติดในชิ้นส่วนที่เคลื่อนที่
- ▶ หากเครื่องมือไฟฟ้ามีข้อเชื่อมต่อกับเครื่องดูดฝุ่นหรือเครื่องเก็บผง ให้ตรวจสอบให้แน่ใจว่าได้เชื่อมต่อและใช้งานอย่างถูกต้อง การใช้อุปกรณ์ดูดฝุ่นช่วยลดอันตรายที่เกิดจากฝุ่นได้
- ▶ เมื่อใช้งานเครื่องบดขยี้จะเกิดความคุ้นเคย อย่าให้ความคุ้นเคยทำให้ท่านเกิดภาวะชะงักและละเลยกฎเกณฑ์ด้านความปลอดภัยในการใช้งานเครื่อง การทำงานอย่างไม่ระมัดระวังอาจทำให้เกิดการบาดเจ็บอย่างร้ายแรงภายในเสี้ยววินาที

การใช้และการดูแลรักษาเครื่องมือไฟฟ้า

- ▶ อย่างสม่ำเสมอเครื่องมือไฟฟ้า ใช้เครื่องมือไฟฟ้าที่ถูกต้องตรงตามลักษณะงานของท่าน เครื่องมือไฟฟ้าที่ต้องจะทำงานได้ดีกว่าและปลอดภัยกว่าในระดับสมรรถภาพที่ออกแบบไว้
- ▶ อย่าใช้เครื่องมือไฟฟ้าสำหรับใช้ที่ไม่สามารถเปิดปิดได้ เครื่องมือไฟฟ้าที่ไม่สามารถควบคุมการเปิดปิดด้วยสวิตช์ได้ เป็นเครื่องมือไฟฟ้าที่ไม่ปลอดภัยและต้องส่งซ่อมแซม
- ▶ ก่อนปรับแต่งเครื่อง เปลี่ยนอุปกรณ์ประกอบ หรือเก็บเครื่องเข้าที่ ต้องถอดปลั๊กออกจากแหล่งจ่ายไฟ และ/หรือถอดเบรกเกอร์พักออกจากเครื่องมือไฟฟ้าหากถอดออกได้ มาตรการป้องกันเพื่อความปลอดภัยนี้ช่วยลดความเสี่ยงจากการติดเครื่องโดยไม่ตั้งใจ
- ▶ เมื่อเลิกใช้งานเครื่องมือไฟฟ้า ให้เก็บเครื่องมือในที่ที่เด็กหยไม่ถึง และไม่อนุญาตให้บุคคลที่ไม่คุ้นเคยกับเครื่องหรือบุคคลที่ไม่ได้อ่านคำแนะนำนำเหล่านี้ใช้เครื่องมือไฟฟ้าเป็นของอันตรายหากตกอยู่ในมือของผู้ใช้ที่ไม่ได้รับการฝึกฝน
- ▶ บำรุงรักษาเครื่องมือไฟฟ้าและอุปกรณ์ประกอบ ตรวจสอบชิ้นส่วนที่เคลื่อนที่ว่าวางไม่ตรงแนวหรือติดขัดหรือไม่ ตรวจสอบการแตกหักของชิ้นส่วนและสภาพอื่นใดที่อาจมีผลต่อการทำงานของเครื่องมือไฟฟ้า หากชำรุดต้องส่งเครื่องมือไฟฟ้าไปซ่อมแซมก่อนใช้งาน อุบัติเหตุหลายอย่างเกิดขึ้นเนื่องจากดูแลรักษาเครื่องมือไม่ดีพอ

- ▶ **รักษาเครื่องมือตัด ให้คมและสะอาด**
หากบำรุงรักษาเครื่องมือที่มีขอบตัดแหลมคมอย่างถูกต้อง จะสามารถตัดได้ลื่นไม่ติดขัดและควบคุมได้ง่ายกว่า
- ▶ **ใช้เครื่องมือไฟฟ้า อุปกรณ์ประกอบ เครื่องมือ และอุปกรณ์อื่นๆ ตรงตามคำแนะนำเหล่านี้ โดยคำนึงถึงเงื่อนไขการทำงานและงานที่จะทำ** การใช้เครื่องมือไฟฟ้าทำงานที่ต่างไปจากวัตถุประสงค์การใช้งานของเครื่อง อาจนำไปสู่สถานการณ์ที่เป็นอันตรายได้
- ▶ **ดูแลคัมจับและพื้นผิวจับให้แห้ง สะอาด และปราศจากคราบน้ำมันและจาระบี** คัมจับและพื้นผิวจับที่ลื่นทำให้หยิบจับได้ไม่ปลอดภัย และไม่สามารถควบคุมเครื่องมือในสถานการณ์ที่ไม่คาดคิด

การบริการ

- ▶ **ส่งเครื่องมือไฟฟ้าของท่านเข้ารับบริการจากช่างซ่อมที่มีคุณสมบัติเหมาะสม โดยใช้อะไหล่ที่เหมือนกันเท่านั้น** ในลักษณะนี้ท่านจะแน่ใจได้ว่าเครื่องมือไฟฟ้าอยู่ในสภาพที่ปลอดภัย

คำเตือนเพื่อความปลอดภัยสำหรับเลื่อยวงเดือน

ขั้นตอนการตัด

- ▶ **⚠️ อันตราย: เอามือออกจากใบเลื่อยและบริเวณงานตัด** ใยมืออีกข้างหนึ่งของท่านจับที่คัมจับเพิ่มหรือที่ครอบมอเตอร์ หากมือทั้งสองถือเครื่องเลื่อยอยู่ มือจะไม่ถูกใบเลื่อยตัด
- ▶ **อย่าเอื้อมจับด้านล่างของชิ้นงาน** กระบังป้องกันใบเลื่อยไม่สามารถป้องกันท่านจากใบเลื่อยได้ชิ้นงานได้
- ▶ **ปรับความลึกการตัดให้เหมาะกับความหนาของชิ้นงาน** ฟันเลื่อยควรโผล่ยื่นออกมาทางด้านล่างของชิ้นงานน้อยกว่าหนึ่งฟันเต็ม
- ▶ **อย่าถือชิ้นงานไว้เหนือหรือจับพาดไว้บนขาของท่าน** ขณะที่การตัดอย่างเด็ดขาด ให้ยึดชิ้นงานกับแท่นรองที่มั่นคง การรองรับชิ้นงานอย่างถูกต้องเป็นเรื่องสำคัญ ทั้งนี้เพื่อลดการสัมผัสกับร่างกาย การติดขัดของใบเลื่อย หรือการสูญเสียการควบคุม
- ▶ **เมื่อทำงานในบริเวณที่เครื่องมือตัดอาจสัมผัสสายไฟฟ้าที่ซ่อนอยู่หรือสายไฟฟ้าของตัวเอง ต้องจับเครื่องมือไฟฟ้าตรงพื้นผิวจับที่หุ้มฉนวน** การสัมผัสกับสายที่ "มีกระแสไฟฟ้า" ไหลผ่าน จะทำให้ส่วนที่เป็นโลหะของเครื่องมือไฟฟ้าที่ไม่มีฉนวนหุ้มเกิด "มีกระแสไฟฟ้า" ด้วย และส่งผลให้ผู้ใช้เครื่องมือถูกไฟฟ้าดูดได้
- ▶ **เมื่อตัดขอย ให้ใช้รั้วขอย (rip fence) หรือตัวนำขอบตรงเสมอ** ในลักษณะนี้จะทำให้ตัดได้แม่นยำยิ่งขึ้น และลดโอกาสที่ใบเลื่อยจะติดขัด

- ▶ **ใช้ใบเลื่อยที่มีขนาดและรูปทรงของรูแกน (สี่เหลี่ยม ขนมเขียงกบหรือกลม) ที่ถูกต้องเสมอ** ใบเลื่อยที่มีขนาดไม่พอดีกับตัวยึดของเครื่องเลื่อยจะวิ่งเยื้องศูนย์ ทำให้เสียการควบคุม
- ▶ **อย่าใช้แหวนรองหรือโบลท์สำหรับใบเลื่อยที่ชำรุดหรือไม่ถูกต้องอย่างเด็ดขาด** แหวนรองหรือโบลท์สำหรับใบเลื่อยนี้ถูกออกแบบเป็นพิเศษสำหรับเครื่องเลื่อยของท่าน เพื่อการทำงานอย่างมีประสิทธิภาพและเกิดความปลอดภัยสูงสุด

การตีกลับและค่าเตือนเกี่ยวข้อง

- การตีกลับคือปฏิกิริยาสะท้อนกลับที่เกิดขึ้นฉับพลันจากใบเลื่อยที่งอ ติดขัด หรือไม่ได้ศูนย์ ทำให้เครื่องเลื่อยที่ควบคุมไม่ได้ยกตัวออกจากชิ้นงาน และเคลื่อนเข้าหาผู้ใช้เครื่อง
 - เมื่อใบเลื่อยงอหรือติดขัดแน่นเนื่องจากคลองเลื่อยบิดงอ ใบเลื่อยจะถูกบล็อก และแรงสะท้อนของมอเตอร์จะขับเครื่องกลับเข้าหาผู้ใช้เครื่องอย่างรวดเร็ว
 - หากใบเลื่อยเกิดบิดหรือไม่ได้ศูนย์ในร่องตัด ฟันเลื่อยที่ขอบหลังของใบเลื่อยอาจที่ผิวบนของไม้ ทำให้ใบเลื่อยได้ออกจากคลองเลื่อยและกระโดดกลับมายังผู้ใช้เครื่อง
- การตีกลับเป็นผลจากการใช้เครื่องเลื่อยผิดวัตถุประสงค์ และ/หรือมีสภาพหรือขั้นตอนการทำงานที่ไม่ถูกต้อง และสามารถหลีกเลี่ยงได้โดยเตรียมตัวป้องกันไว้ก่อนอย่างถูกต้องดังต่อไปนี้
- ▶ **ใช้มือทั้งสองจับเครื่องเลื่อยให้แน่น และตั้งท่าแขนของท่านไว้ด้านแรงตีกลับ** ตั้งตำแหน่งร่างกายของท่านให้อยู่ทางด้านข้างของใบเลื่อยด้านใดด้านหนึ่ง แต่อย่าอยู่ในแนวเดียวกับกับใบเลื่อย การตีกลับอาจทำให้เครื่องกระโดดถอยหลัง แต่ผู้ใช้เครื่องสามารถควบคุมแรงตีกลับได้ หากได้เตรียมตัวป้องกันไว้ก่อนอย่างถูกต้อง
 - ▶ **เมื่อใบเลื่อยเกิดติดขัด หรือการตัดถูกขัดจังหวะด้วยสาเหตุใดๆ ก็ตาม ให้ปล่อยนิ้วจากสวิตช์ และจับเครื่องเลื่อยให้หนึ่งอยู่ในวัสดุจนกว่าใบเลื่อยจะหยุดสนิท** อย่าพยายามเอาเครื่องเลื่อยออกจากชิ้นงานหรือดึงเครื่องเลื่อยไปข้างหลังขณะที่ใบเลื่อยกำลังหมุนอยู่อย่างเด็ดขาด มิฉะนั้นอาจเกิดการตีกลับได้ ตรวจสอบสาเหตุและดำเนินการแก้ไขเพื่อกำจัดสาเหตุการติดขัดของใบเลื่อย
 - ▶ **เมื่อสตาร์ทเครื่องเลื่อยอีกครั้งในชิ้นงาน ให้ตั้งใบเลื่อยไว้ตรงกลางในคลองเลื่อยโดยไม่ให้ฟันเลื่อยขบในวัสดุ** หากใบเลื่อยติดขัด ใบเลื่อยอาจกระโดดหรือตีกลับจากชิ้นงานเมื่อสตาร์ทเครื่องเลื่อยอีกครั้ง
 - ▶ **หนุนแผ่นชิ้นงานที่มีขนาดใหญ่เพื่อลดความเสี่ยงที่ใบเลื่อยจะติดขัดและเกิดการตีกลับ** แผ่นชิ้นงานที่มีขนาดใหญ่มักจะห้อยหอนตามความถ่วงน้ำหนักของตัวเอง ต้องใช้ที่รองหนุนใต้แผ่นชิ้นงานทั้งสองข้าง คือ โกลเสนติดและโกลชอบแผ่นชิ้นงาน

- ▶ **อย่าใช้ใบเลื่อยที่ต่อหรือชำรุด** ใบเลื่อยที่ไม่ได้ลับคมหรือปรับตั้งไว้อย่างไม่ถูกต้องจะให้คลื่นเลื่อยที่แคบ ทำให้เกิดการเสียดสีมากเกินไป ใบเลื่อยเกิดติดขัดและตีกลับ
- ▶ **ก่อนตัด ต้องขันคันปรับความลึกใบเลื่อยและคันปรับความลาดเอียงของมุมตัดให้แน่น** หากการปรับใบเลื่อยเคลื่อนที่ขณะทำการตัด อาจทำให้ใบเลื่อยติดขัดและตีกลับได้
- ▶ **ใช้ความระมัดระวังเป็นพิเศษเมื่อเลื่อยเข้าไปในผนังที่มีอยู่หรือบริเวณจุดบอดอื่นๆ** ใบเลื่อยที่ยื่นออกมาอาจตัดวัตถุที่อาจทำให้เกิดการตีกลับ

การทำงานของกระบั้งล่าง

- ▶ **ตรวจสอบกระบั้งล่างให้ปิดอย่างถูกต้องก่อนใช้งานทุกครั้ง** อย่าใช้เครื่องเลื่อยหากกระบั้งล่างเคลื่อนไหวไปมาอย่างอิสระ ไม่ได้และไม่ได้ปิดในทันที อย่าหนีบหรือผูกกระบั้งล่างให้อยู่ในตำแหน่งเปิดหากเครื่องเลื่อยตกหล่นโดยบังเอิญ กระบั้งล่างอาจโถงงอ เปิดกระบั้งล่างด้วยคันจับที่ชักมันได้ และดูให้แน่ใจว่ากระบั้งล่างเคลื่อนไหวไปมาได้อย่างอิสระ และไม่เตะใบเลื่อยหรือส่วนอื่นใดในมุมตัดและความลึกการตัดทั้งหมด
- ▶ **ตรวจสอบการทำงานของสปริงของกระบั้งล่าง** หากกระบั้งและสปริงทำงานไม่ถูกต้อง ต้องนำไปซ่อมบำรุงก่อนใช้งาน กระบั้งล่างอาจทำงานเฉื่อยเนื่องจากชิ้นส่วนชำรุด ชักถูกพัดมากองติดเหนียว หรือกองสะสมกัน
- ▶ **อาจใช้มือชักนกระบั้งล่างเฉพาะเมื่อต้องการตัดแบบพิเศษเท่านั้น** เช่น "การจ้วงตัด" และ "การตัดแบบผสม" เปิดกระบั้งล่างด้วยคันจับที่ชักมันได้ และต้องปล่อยกระบั้งล่างในทันทีที่ใบเลื่อยขบเข้าไปในวัสดุสำหรับการเลื่อยแบบอื่นทั้งหมด กระบั้งล่างควรต้องทำงานโดยอัตโนมัติ
- ▶ **ตรวจสอบให้กระบั้งล่างครอบใบเลื่อยทุกครั้งก่อนวางเครื่องเลื่อยลงบนโต๊ะทำงานหรือบนพื้น** ใบเลื่อยที่ไม่ถูกปกป้องและยังคงวิ่งต่อจะทำให้เครื่องเลื่อยเดินถอยหลัง ตัดสิ่งใดก็ตามที่ขวางทาง ฟังคำนี้ถึงระยะเวลาที่ใบเลื่อยจะหยุดหลังจากปิดสวิตช์แล้ว

คำแนะนำเพื่อความปลอดภัยเพิ่มเติม

- ▶ **อย่ายื่นมือเข้าไปในช่องฟันชักบออก** ท่านอาจได้รับบาดเจ็บจากชิ้นส่วนที่หมุนอยู่
- ▶ **อย่าใช้เครื่องเลื่อยทำงานเหนือศีรษะ** ในลักษณะนี้ท่านจะไม่สามารถควบคุมเครื่องมือไฟฟ้าได้อย่างเพียงพอ
- ▶ **ใช้เครื่องตรวจจับที่เหมาะสมเพื่อตรวจสอบสายไฟฟ้าหรือท่อสาธารณูปโภคที่อาจซ่อนอยู่ในบริเวณทำงานหรือติดต่อบริษัทสาธารณูปโภคในพื้นที่เพื่อขอความช่วยเหลือ** การสัมผัสกับสายไฟฟ้าอาจทำให้เกิดไฟไหม้หรือถูกไฟฟ้าดูด การทำให้ท่อแก๊สเสียหายอาจ

ทำให้เกิดระเบิด การเจาะเข้าไปในท่อน้ำทำให้ทรัพย์สินเสียหาย หรืออาจเป็นเหตุให้ถูกไฟฟ้าดูดได้

- ▶ **จับเครื่องมือไฟฟ้าให้แน่นด้วยมือทั้งสองข้างและตั้งท่ายืนให้มั่นคงขณะทำงาน** ท่านจะสามารถนำทางเครื่องมือไฟฟ้าได้ปลอดภัยกว่าเมื่อจับเครื่องมือทั้งสองข้าง
- ▶ **อย่าใช้เครื่องมือไฟฟ้าโดยเครื่องอยู่กับที่** เครื่องไม่ได้ออกแบบไว้สำหรับใช้กับโต๊ะเลื่อย
- ▶ **ตรวจสอบให้แน่ใจว่าเฟลตนาของเครื่องเลื่อยจะไม่เคลื่อนไปด้านข้างในขณะที่ "การจ้วงตัด" ที่ไม่ได้ทำในเชิงตั้งฉาก** การเคลื่อนไปด้านข้างอาจทำให้ใบเลื่อยติดขัดและเกิดการตีกลับได้
- ▶ **ยึดชิ้นงานให้แน่น** การยึดชิ้นงานด้วยเครื่องหนีบหรือแท่นจับจะมั่นคงกว่าการยึดด้วยมือ
- ▶ **รอให้เครื่องมือไฟฟ้าหยุดสนิทก่อนวางเครื่องลงบนพื้น** เครื่องมือที่ใส่อยู่อาจติดขัดและทำให้สูญเสียการควบคุมเครื่องมือไฟฟ้า
- ▶ **อย่าใช้ใบเลื่อยที่มาจากเหล็กกล้าความเร็วสูง (High Speed Steel, HSS)** ใบเลื่อยนี้แตกง่าย
- ▶ **อย่าเลื่อยโลหะจำพวกเหล็ก** เศษขี้เลื่อยร้อนสีแดงสามารถจุดระบบจุดฝุ่นให้ลุกไหม้ได้
- ▶ **สวมหน้ากากป้องกันฝุ่น**

รายละเอียดผลิตภัณฑ์และข้อมูล

จำเพาะ



อ่านค่าเตือนเพื่อความปลอดภัยและคำแนะนำทั้งหมด การไม่ปฏิบัติตามคำแนะนำและคำสั่งอาจเป็นสาเหตุให้ถูกไฟฟ้าดูด เกิดไฟไหม้และ/หรือได้รับบาดเจ็บอย่างร้ายแรง

กรุณาดูภาพประกอบในส่วนหน้าของคู่มือการใช้งาน

ประโยชน์การใช้งานของเครื่อง

เครื่องมือไฟฟ้านี้ใช้สำหรับตัดไม้ตามยาวและตามขวางโดยตัดเป็นเส้นตรง รวมทั้งตัดเป็นมุมเอียงได้ขณะวางอย่างมั่นคงบนชิ้นงาน

ส่วนประกอบผลิตภัณฑ์

ลำดับเลขของส่วนประกอบผลิตภัณฑ์อ้างอิงถึงส่วนประกอบของเครื่องมือไฟฟ้าที่แสดงในหน้าภาพประกอบ

- (1) สวิตช์เปิด-ปิด
- (2) ปุ่มล็อกไม่ให้สวิตช์เปิด-ปิดทำงาน
- (3) ตามจับเพิ่ม (พื้นผิวจับหุ้มฉนวน)⁽¹⁾
- (4) ปุ่มล็อกแกน
- (5) มาตรฐานมุมปาก

- (6) น็อตปึกสำหรับการเลือกมุมเอียงล่วงหน้า
 (7) น็อตปึกสำหรับแผงกำหนดแนวขนาน
 (8) เครื่องหมายตัด 45°
 (9) เครื่องหมายตัด 0°
 (10) แผงกำหนดแนวขนาน
 (11) กระบังป้องกันใบเลื่อยชนิดชักกรันได้
 (12) แผ่นฐาน
 (13) คันจับสำหรับกระบังป้องกันใบเลื่อยชนิดชักกรันได้
 (14) ช่องพ่นซี่กับออก
 (15) กระบังป้องกัน
 (16) ด้ามจับ (พื้นผิวจับหุ้มฉนวน)
 (17) ประแจขันหกเหลี่ยม^{a)}
 (18) โบลท์ยึดพร้อมแหวนรอง
 (19) หน้าแปลนยึด
 (20) ใบเลื่อย^{a)}
 (21) แกนเครื่องพร้อมน็อตตรง
 (22) คันหนีบสำหรับเลือกความลึกการตัดล่วงหน้า
 (23) มาตราส่วนความลึกการตัด
 (24) ชุดแคลมป์ยึดวัสดุ^{b)}
 (25) ข้อต่อท่อดูดออก^{a)}
- a) อุปกรณ์ประกอบที่แสดงภาพหรืออธิบายไม่รวมอยู่ในการจัดส่งมาตรฐาน
 กรุณาดูอุปกรณ์ประกอบทั้งหมดในรายการแสดงอุปกรณ์ประกอบของเรา
 b) มีจำหน่ายทั่วไป (ไม่รวมอยู่ในการจัดส่ง)

ข้อมูลทางเทคนิค

เลื่อยวงเดือน	GKS 130	
หมายเลขสินค้า		3 601 FC3 0..
กำลังไฟฟ้าที่ติดตั้ง	วัตต์	1300
ความเร็วรอบเดินตัวเปล่า	นาที ⁻¹	5800
ความลึกการตัดสูงสุดด้วยใบเลื่อยขนาดเส้นผ่าศูนย์กลาง 184 มม.		
- สำหรับมุมเอียง 0°	มม.	64
- สำหรับมุมเอียง 45°	มม.	45
ล็อกแกน		●
ขนาดแผ่นฐาน	มม.	290 x 150
เส้นผ่าศูนย์กลางใบเลื่อย สูงสุด	มม.	184
เส้นผ่าศูนย์กลางใบเลื่อย ต่ำสุด	มม.	184

เลื่อยวงเดือน	GKS 130	
ความหนาใบเลื่อย สูงสุด	มม.	2.0
รูตัดตั้ง	มม.	20
น้ำหนักตามระเบียบการ EPTA-Procedure 01:2014	กก.	3.9
ระดับความปลอดภัย		☐/II

ค่าที่นำให้ใช้ได้กับแรงดันไฟฟ้าอเนกอน [U] 230 โวลท์ค่าเหล่านี้ อาจเปลี่ยนแปลงไปสำหรับแรงดันไฟฟ้าที่แตกต่างกัน และโมเดลที่ผลิตสำหรับเฉพาะประเทศ

การติดตั้ง

- ▶ ใช้เฉพาะใบเลื่อยที่มีความเร็วสูงสุดที่อนุญาตสูง
 กว่าความเร็วรอบตัวเปล่าของเครื่องมือไฟฟ้า

การใส่/การเปลี่ยนใบเลื่อย

- ▶ ดึงปลั๊กไฟออกจากเต้าเสียบก่อนปรับแต่งเครื่อง
 ▶ สวมถุงมือป้องกันอันตรายเมื่อติดตั้งใบเลื่อย
 การสัมผัสกับใบเลื่อยจะทำให้บาดเจ็บได้
 ▶ ยอานำงานขัดมาใช้เป็นเครื่องมืออย่างเด็ดขาด

การถอดใบเลื่อย (ดูภาพประกอบ A)

เมื่อต้องการเปลี่ยนเครื่องมือ ทางที่ดีที่สุดควรวางเครื่องมือไฟฟ้าโดยจับด้านหน้าของที่ครอบมอเตอร์ลง

- กดปุ่มล็อกแกน (4) และกดค้างไว้
- ▶ กดปุ่มล็อกแกน (4) เมื่อใบเลื่อยหยุดนิ่งอยู่กับที่แล้วเท่านั้น มิฉะนั้นเครื่องอาจชำรุดได้
- ใช้ประแจขันหกเหลี่ยม (17) ขันโบลท์ยึด (18) ออกโดยหมุนไปทิศทางหมุน ⚙
- กระจกกระบังป้องกันใบเลื่อยชนิดชักกรันได้ (11) ไปด้านหลังและจับไว้ให้แน่น
- ถอดน็อตยึด (19) และใบเลื่อย (20) ออกจากแกนเครื่องพร้อมน็อตตรง (21)

การเลือกใบเลื่อย

กรุณาดูภาพรวมของใบเลื่อยที่แนะนำในตอนท้ายของคู่มือการใช้งาน

การติดตั้งใบเลื่อย (ดูภาพประกอบ A)

เมื่อต้องการเปลี่ยนเครื่องมือ ทางที่ดีที่สุดควรวางเครื่องมือไฟฟ้าโดยจับด้านหน้าของที่ครอบมอเตอร์ลง

- ทำความสะอาดใบเลื่อย (20) และชิ้นส่วนยึดหนีบที่จะติดตั้งทั้งหมด
- กระจกกระบังป้องกันใบเลื่อยชนิดชักกรันได้ (11) ไปด้านหลังและจับไว้ให้แน่น
- สวมใบเลื่อย (20) เข้าบนแกนเครื่องพร้อมน็อตตรง (21) ทิศทางตัดของฟัน (ทิศทางลูกศรบนใบเลื่อย) และทิศทางหมุนของลูกศรที่แสดงบนกระบังป้องกันใบเลื่อย (15) ต้องชี้ไปทางเดียวกัน

- ประกอบน็อตยึด (19) และขันโบลท์ยึด (18) เข้าโดยหมุนไปในทิศทางหมุน ⚙ ตรวจสอบให้แกนเครื่องพร้อมน็อตตรอง (21) และน็อตยึด (19) อยู่ในตำแหน่งประกอบที่ถูกต้อง
- กดปุ่มล็อคแกน (4) และกดค้างไว้
- ใช้ประแจขันหกเหลี่ยม (17) ขันโบลท์ยึด (18) เข้าให้แน่นโดยหมุนไปในทิศทางหมุน ⚙ แรงบิดการขันควรวอยู่ระหว่าง 6–9 นิวตันเมตร ซึ่งมีค่าเท่ากับกำมือด้วยมือจนดึงบวก ¼ รอบ

การดูดฝุ่น/ซีลรอย

- ฝุ่นที่ได้จากวัสดุ เช่น เคลือบผิวที่มีสารตะกั่ว ไม้ยางประเภทแร้วตุ และโลหะ อาจเป็นอันตรายต่อสุขภาพ การสัมผัสหรือการหายใจเอาฝุ่นเข้าไปอาจทำให้เกิดปฏิกิริยาแพ้ฝุ่น และ/หรือนำมาซึ่งโรคติดเชื้อระบบหายใจแก่ผู้ใช้เครื่องหรือผู้ที่ยืนอยู่ใกล้เคียง
- ฝุ่นบางประเภท เช่น ฝุ่นไม้โอ๊ก หรือไม้บีช นับเป็นสารที่ทำให้เกิดมะเร็ง โดยเฉพาะอย่างยิ่งเมื่อผสมกับสารเติมแต่งเพื่อบำบัดไม้ (โครเมต ผลิตภัณฑ์รักษาเนื้อไม้) สำหรับวัสดุที่มีแอลเบสทอสตองให้ผู้ใช้สวมหน้ากากทำงานเท่านั้น
- ใช้ระบบดูดฝุ่นออกที่เหมาะสมกับประเภทวัสดุ มากเท่าที่จะทำได้
 - จัดสถานที่ทำงานให้มีการระบายอากาศที่ดี
 - ขอแนะนำให้สวมหน้ากากป้องกันการติดเชื้อที่มีระดับ-ISO กรอง P2

ปฏิบัติตามกฎข้อบังคับสำคัญอื่นๆ ที่เกี่ยวกับวัสดุชิ้นงานที่บังคับใช้ในประเทศของท่าน

- ▶ **ป้องกันการสะสมของฝุ่นในสถานที่ทำงาน**
ฝุ่นสามารถถูกใหม่อย่างง่ายดาย

การติดตั้งข้อต่อท่อดูดออก (ดูภาพประกอบ E)

สวมข้อต่อท่อดูดออก (25) เข้าบนช่องพ่นชักบออก (14) จนขบเข้าที่

ท่านสามารถเชื่อมต่อท่อดูดฝุ่นที่มีเส้นผ่านศูนย์กลาง 35 มม. เข้ากับข้อต่อท่อดูดออก (25)

- ▶ **อย่าติดตั้งข้อต่อท่อออกหากไม่มีการต่อเข้ากับเครื่องดูดฝุ่นภายนอก** มิฉะนั้นช่องดูดออกอาจอุดตันได้
- ▶ **อย่าสวมถุงเก็บผงเข้ากับข้อต่อท่อดูดออก** มิฉะนั้นระบบดูดออกอาจอุดตันได้

เพื่อให้ดูดฝุ่นออกได้ดีที่สุด ต้องทำความสะอาดข้อต่อท่อดูดออก (25) เป็นประจำ

การดูดฝุ่นด้วยเครื่องดูดฝุ่นภายนอก

ต่อท่อดูดฝุ่น เข้ากับเครื่องดูดฝุ่น (อุปกรณ์ประกอบ) กรุณาดูภาพรวมการเชื่อมต่อกับเครื่องดูดฝุ่นต่างๆ ในตอนท้ายของคู่มือการใช้งาน

เครื่องนี้สามารถต่อโดยตรงเข้ากับเต้าเสียบของเครื่องดูดฝุ่นสารพัดประโยชน์ของ บอช ที่มีการควบคุมการสตาร์ทเครื่องทางไกลเครื่องดูดฝุ่นจะเริ่มทำงานโดยอัตโนมัติเมื่อเปิดเครื่อง

เครื่องดูดฝุ่นต้องเหมาะสำหรับใช้ดูดวัสดุที่จะทำงานในกรณีดูดฝุ่นแห้งที่เป็นอันตรายต่อสุขภาพอย่างยิ่งหรืออาจก่อให้เกิดมะเร็งได้ ให้ใช้เครื่องดูดฝุ่นพิเศษ

การปฏิบัติงาน

- ▶ **ดึงปลั๊กไฟออกจากเต้าเสียบก่อนปรับแต่งเครื่อง**

รูปแบบการทำงาน

การปรับความลึกการตัด (ดูภาพประกอบ B)

- ▶ **ปรับความลึกการตัดให้เหมาะสมกับความหนาของชิ้นงาน**
พื้นเลื่อยควรไหลยื่นออกมาทางด้านข้างของชิ้นงานน้อยกว่าหนึ่งฟันเต็ม

คลายคันหนีม (22) ออก สำหรับความลึกการตัดน้อย ให้ดึงเครื่องเลื่อยออกจากแผ่นฐาน (12) สำหรับความลึกการตัดมาก ให้ดันเครื่องเลื่อยเข้าหาแผ่นฐาน (12) ปรับความลึกการตัดที่ต้องการที่มาตราส่วนความลึกการตัด ชิ้นคันหนีม (22) กลับเข้าที่แน่น

เมื่อคลายคันหนีม (22) แล้ว ยังไม่สามารถปรับความลึกการตัดได้อย่างเต็มที่ ให้ดึงคันหนีม (22) ออกจากเครื่องเลื่อยและหมุนคันหนีมลงข้างล่าง ปล่อยนิ้วจากคันหนีม (22) ทำซ้ำขั้นตอนเดิมจนสามารถปรับความลึกการตัดที่ต้องการ

เมื่อยึดคันหนีม (22) แล้ว ยังไม่สามารถล็อคความลึกการตัดให้แน่นพอ ให้ดึงคันหนีม (22) ออกจากเครื่องเลื่อยและหมุนคันหนีมขึ้นข้างบน ปล่อยนิ้วจากคันหนีม (22) ทำซ้ำขั้นตอนเดิมจนความลึกการตัดถูกล็อค

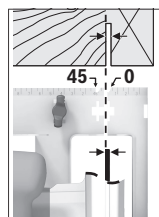
การปรับมุมตัด

ทางที่ดีที่สุดควรวางเครื่องมือไฟฟ้าโดยจับด้านหน้าของกระบึงป้องกันใบเลื่อย (15) ลง

คลายน็อตปิก (6) ออก เอียงเครื่องเลื่อยไปทางด้านข้าง ปรับขนาดที่ต้องการที่มาตราส่วน (5) ขันน็อตปิก (6) กลับเข้าที่แน่น

หมายเหตุ: สำหรับการตัดมุมเอียง จะได้ความลึกการตัดน้อยกว่าค่าที่แสดงบนมาตราส่วนความลึกการตัด (23)

เครื่องหมายตัด



เครื่องหมายตัด 0° (9) แสดงตำแหน่งของใบเลื่อยสำหรับการตัดเป็นมุมฉาก เครื่องหมายตัด 45° (8) แสดงตำแหน่งของใบเลื่อยสำหรับการตัด 45°

เพื่อให้ได้การตัดที่แม่นยำ ให้จับเลื่อยวงเดือนเข้าที่ชิ้นงานดังแสดงในภาพทางที่ดีที่สุดควรฝึกซ้อมการตัดก่อน

การเริ่มต้นปฏิบัติงาน

▶ ให้สังเกตแรงดันไฟฟ้า! แรง

ดันไฟฟ้าจากแหล่งจ่ายไฟฟ้าต้องมีค่าตรงกับค่าแรงดันไฟฟ้าที่ระบุไว้บนเครื่องมือไฟฟ้า เครื่องมือไฟฟ้าที่มีเครื่องหมาย 230 โวลต์ สามารถใช้งานกับ 220 โวลต์ได้ด้วย

การเปิด-ปิดเครื่อง

▶ ตรวจสอบให้แน่ใจว่าท่านสามารถใช้งานสวิตช์เปิด-ปิดได้โดยไม่ต้องปล่อยตามจับ

เมื่อต้องการสาร์ทเครื่องมือไฟฟ้า ในขั้นแรกให้กดปุ่มลอคไม่ให้สวิตช์เปิด-ปิดทำงาน (2) และจากนั้นจึงกดสวิตช์เปิด-ปิด (1)

ปิดสวิตช์เครื่องมือไฟฟ้าโดยปล่อยนิ้วจากสวิตช์เปิด-ปิด (1)

หมายเหตุ: ด้วยเหตุผลด้านความปลอดภัย จึงไม่สามารถลอคสวิตช์เปิด-ปิด (1) ได้ จะต้องกดสวิตช์เปิด-ปิดตลอดเวลาปฏิบัติงาน

ข้อแนะนำในการทำงาน

▶ ดึงปลั๊กไฟออกจากเต้าเสียบก่อนปรับแต่งเครื่อง

ความกว้างการตัดจะแตกต่างกันไปตามใบเลื่อยที่ใช้ ต้องมองกันใบเลื่อยไม่ให้ถูกกระทบกระแทก

เคลื่อนเครื่องอย่างสม่ำเสมอและอ่อนเบาๆ ไปในทิศทางตัด เพื่อให้ได้คุณภาพการตัดที่ดี การเคลื่อนเครื่องไปข้างหน้าเกินกำลังจะบั่นทอนอายุการใช้งานของเครื่องมือตัดและอาจทำให้เครื่องมือไฟฟ้าชำรุดได้

ประสิทธิภาพการเลื่อยและคุณภาพการตัดขึ้นอยู่กับสภาพและลักษณะพื้นของใบเลื่อยเป็นหลัก ดังนั้นให้ใช้เฉพาะใบเลื่อยที่คมและเหมาะกับประเภทวัสดุชิ้นงานเท่านั้น

การเลื่อยไม้

หลักการเลือกใบเลื่อยที่ถูกต้อง คือต้องเลือกตามประเภทของไม้ คุณภาพของไม้ และต้องดูว่าต้องการตัดตามยาวหรือตามขวาง เมื่อตัดไม้จำพวกสนตามแนวยาว จะได้เศษไม้ขัดเป็นวงยาว ฝุ่นไม้ไ้ก และไม่มีขี้ เป็นอันตรายต่อสุขภาพอย่างยิ่ง ดังนั้นเมื่อทำงานต้องดูดฝุ่นออกเสมอ

การเลื่อยโดยใช้แหงกำหนดแนวขนาน (ดูภาพประกอบ C)

แหงกำหนดแนวขนาน (10) ทำให้สามารถตัดเลียบขอบชิ้นงาน และตัดเป็นท่อนยาวในขนาดเท่าๆ กันได้อย่างเที่ยงตรง คลายน็อตปิก (7) และเลื่อนมาตราส่วนของแหงกำหนดแนวขนาน (10) ผ่านตัวนำในแผ่นฐาน (12) ตั้งความกว้างการตัดที่ต้องการเป็นค่ามาตราส่วนไว้ที่เครื่องหมายตัด (9) หรือ

(8) ที่เกี่ยวข้องกับ ดูบท "เครื่องหมายตัด" ชั้นน็อตปิก (7) กลับเข้าที่เดิม

การเลื่อยโดยใช้แหงช่วยนำทาง (ดูภาพประกอบ D)

สำหรับการตัดชิ้นงานขนาดใหญ่หรือตัดขอบตรง ให้หนีบแผ่นกระดานหรือท่อนไม้ยาวเข้ากับชิ้นงานเพื่อใช้เป็นแหงช่วยนำทาง ท่านสามารถเคลื่อนแผ่นฐานของเลื่อยวงเดือนเลียบไปตามแหงช่วยนำทาง

การบำรุงรักษาและการบริการ

การบำรุงรักษาและการทำความสะอาด

▶ ดึงปลั๊กไฟออกจากเต้าเสียบก่อนปรับแต่งเครื่อง

▶ เพื่อให้ทำงานได้อย่างถูกต้องและปลอดภัย ต้องรักษาเครื่องและช่องระบายอากาศให้สะอาดอยู่เสมอ

หากจำเป็นต้องเปลี่ยนสายไฟฟ้า ต้องส่งเครื่องให้ Bosch หรือศูนย์บริการหลังการขายที่ได้รับมอบหมายสำหรับเครื่องมือไฟฟ้า Bosch เปลี่ยนให้ ทั้งนี้เพื่อหลีกเลี่ยงอันตราย กระบังป้องกันใบเลื่อยชนิดชักกันไ้ต้องเคลื่อนไหวไปมาได้อย่างอิสระและปิดได้โดยอัตโนมัติตลอดเวลา ดังนั้นต้องรักษารับรอบๆ กระบังป้องกันใบเลื่อยชนิดชักกันไ้ให้สะอาดอยู่เสมอ เอาฝุ่นและเศษผงออกโดยใช้แปรงขัดใบเลื่อยที่ไม่ได้เคลื่อนสามารถใช้น้ำมันที่ไม่มีกรดทาบางๆ เพื่อป้องกันสนิม ต้องเช็ดน้ำมันออกก่อนใช้ใบเลื่อย มิฉะนั้นน้ำมันจะแข็งไม่ทำให้สกรปรกติ

เศษเหลือของยางไม้และกาวบนใบเลื่อยทำให้ตัดได้ไม่ดี ดังนั้นให้ทำความสะอาดใบเลื่อยทันทีหลังใช้งาน

การบริการหลังการขายและการให้คำปรึกษาการใช้งาน

ศูนย์บริการหลังการขายของเรายินดีตอบคำถามของท่านที่เกี่ยวกับการบำรุงรักษาและการซ่อมแซมผลิตภัณฑ์รวมทั้งเรื่องอะไหล่ ภาพเขียนแบบการประกอบและข้อมูลเกี่ยวกับอะไหล่ กรุณาดูใน: www.bosch-pt.com ที่มงานที่ปรึกษาของ บอช ยินดีให้ข้อมูลเกี่ยวกับผลิตภัณฑ์ของเราและอุปกรณ์ประกอบต่างๆ

เมื่อต้องการสอบถามและสั่งซื้ออะไหล่ กรุณาแจ้งหมายเลขสินค้า 10 หลักบนแผ่นป้ายรุ่นของผลิตภัณฑ์ทุกครั้ง

ไทย

ไทย บริษัท โรเบิร์ต บอช จำกัด

เอพวยไอ เซ็นเตอร์ อาคาร 1 ชั้น 5

เลขที่ 2525 ถนนพระราม 4

แขวงคลองเตย เขตคลองเตย กรุงเทพฯ 10110

โทร: +66 2012 8888

แฟกซ์: +66 2064 5800

www.bosch.co.th

ศูนย์บริการซ่อมและฝึกอบรม มีอช

อาคาร ลาซาลทาวเวอร์ ชั้น G ห้องเลขที่ 2

บ้านเลขที่ 10/11 หมู่ 16

ถนนศรีนครินทร์ ตำบลบางแก้ว อำเภอบางพลี

จังหวัดสมุทรปราการ 10540

ประเทศไทย

โทรศัพท์ 02 7587555

โทรสาร 02 7587525

สามารถดูที่อยู่ศูนย์บริการอื่นๆ ได้ที่:

www.bosch-pt.com/serviceaddresses

การกำจัดขยะ

เครื่องมือไฟฟ้า อุปกรณ์ประกอบ และที่บด ต้องนำไปแยกประเภทวัสดุเพื่อการรีไซเคิลที่เป็นมิตรต่อสิ่งแวดล้อม



อย่าทิ้งเครื่องมือไฟฟ้าลงในขยะบ้าน!

Bahasa Indonesia

Petunjuk Keselamatan

Petunjuk keselamatan umum untuk perkakas listrik

⚠ PERINGATAN Baca semua peringatan, petunjuk, ilustrasi, dan spesifikasi

keselamatan yang diberikan bersama perkakas listrik ini. Kesalahan dalam menjalankan petunjuk di bawah ini dapat mengakibatkan sengatan listrik, kebakaran, dan/atau cedera serius.

Simpanlah semua peringatan dan petunjuk untuk penggunaan di masa mendatang.

Istilah "perkakas listrik" dalam peringatan mengacu pada perkakas listrik yang dioperasikan dengan listrik (menggunakan kabel) atau perkakas listrik yang dioperasikan dengan baterai (tanpa kabel).

Keamanan tempat kerja

- ▶ **Jaga kebersihan dan pencahayaan area kerja.** Area yang berantakan atau gelap dapat memicu kecelakaan.
- ▶ **Jangan mengoperasikan perkakas listrik di lingkungan yang dapat memicu ledakan, seperti adanya cairan, gas, atau debu yang mudah terbakar.** Perkakas listrik dapat memancarkan bunga api yang kemudian mengakibatkan debu atau uap terbakar.

- ▶ **Jauhkan dari jangkauan anak-anak dan pengamat saat mengoperasikan perkakas listrik.** Gangguan dapat menyebabkan hilangnya kendali.

Keamanan listrik

- ▶ **Steker perkakas listrik harus sesuai dengan stopkontak. Jangan pernah memodifikasi steker. Jangan menggunakan steker adaptor bersama dengan perkakas listrik yang terhubung dengan sistem grounding.** Steker yang tidak dimodifikasi dan stopkontak yang cocok akan mengurangi risiko sengatan listrik.
- ▶ **Hindari kontak badan dengan permukaan yang terhubung dengan sistem grounding, seperti pipa, radiator, kompor, dan lemari es.** Terdapat peningkatan risiko terjadinya sengatan listrik jika badan Anda terhubung dengan sistem grounding.
- ▶ **Perkakas listrik tidak boleh terpapar hujan atau basah.** Air yang masuk ke dalam perkakas listrik menambah risiko terjadinya sengatan listrik.
- ▶ **Jangan menyalahgunakan kabel. Jangan gunakan kabel untuk membawa, menarik, atau melepas steker perkakas listrik. Jauhkan kabel dari panas, minyak, tepi yang tajam, atau komponen yang bergerak.** Kabel listrik yang rusak atau tersangkut menambah risiko terjadinya sengatan listrik.
- ▶ **Saat mengoperasikan perkakas listrik di luar ruangan, gunakan kabel ekstensi yang sesuai untuk penggunaan di luar ruangan.** Penggunaan kabel yang cocok untuk pemakaian di luar ruangan mengurangi risiko terjadinya sengatan listrik.
- ▶ **Jika perkakas listrik memang harus dioperasikan di tempat yang lembap, gunakan pemutus arus listrik residu (RCD).** Penggunaan RCD akan mengurangi risiko terjadinya sengatan listrik.

Keselamatan personel

- ▶ **Tetap waspada, perhatikan aktivitas yang sedang dikerjakan dan gunakan akal sehat saat mengoperasikan perkakas listrik. Jangan gunakan perkakas listrik saat mengalami kelelahan atau di bawah pengaruh narkoba, alkohol, atau obat-obatan.** Jika perkakas listrik dioperasikan dengan daya konsentrasi yang rendah, hal tersebut dapat menyebabkan cedera serius.
- ▶ **Gunakan peralatan pelindung diri. Selalu kenakan pelindung mata.** Penggunaan perlengkapan pelindung seperti penutup telinga, helm, sepatu anti licin, dan masker debu akan mengurangi cedera.
- ▶ **Hindari start yang tidak disengaja. Pastikan switch berada di posisi off sebelum perkakas listrik dihubungkan ke sumber daya listrik dan/atau baterai, diangkat, atau dibawa.** Membawa perkakas listrik dengan jari menempel pada tombol atau perkakas listrik dalam keadaan hidup dapat memicu kecelakaan.
- ▶ **Singkirkan kunci penyatel atau kunci pas sebelum menghidupkan perkakas listrik.** Perkakas atau kunci

pas yang masih menempel pada komponen perkakas listrik yang berputar dapat menyebabkan cedera.

- ▶ **Jangan melampaui batas. Berdirilah secara mantap dan selalu jaga keseimbangan.** Hal ini akan memberikan kontrol yang lebih baik terhadap perkakas listrik pada situasi yang tak terduga.
- ▶ **Kenakan pakaian dengan wajar. Jangan mengenakan perhiasan atau pakaian yang longgar. Jauhkan rambut dan pakaian dari komponen yang bergerak.** Pakaian yang longgar, rambut panjang, atau perhiasan dapat tersangkut dalam komponen yang bergerak.
- ▶ **Jika disediakan perangkat untuk sambungan pengisapan debu dan alat pengumpulan, pastikan perangkat tersebut terhubung dan digunakan dengan benar.** Penggunaan alat pengumpulan dapat mengurangi bahaya yang disebabkan oleh debu.
- ▶ **Jangan berpuas diri dan mengabaikan prinsip keselamatan karena terbiasa mengoperasikan perkakas.** Tindakan yang kurang hati-hati dapat mengakibatkan cedera serius dalam waktu sepersekian detik.

Penggunaan dan pemeliharaan perkakas listrik

- ▶ **Jangan memaksakan perkakas listrik. Gunakan perkakas listrik yang sesuai untuk pekerjaan yang dilakukan.** Perkakas listrik yang sesuai akan bekerja dengan lebih baik dan aman sesuai tujuan penggunaan.
- ▶ **Jangan gunakan perkakas listrik dengan switch yang tidak dapat dioperasikan.** Perkakas listrik yang switchnya yang tidak berfungsi dapat menimbulkan bahaya dan harus diperbaiki.
- ▶ **Lepaskan steker dari sumber listrik dan/atau lepas baterai, jika dapat dilepaskan dari perkakas listrik sebelum menyetel, mengganti aksesori, atau menyimpan perkakas listrik.** Tindakan preventif akan mengurangi risiko menghidupkan perkakas listrik secara tidak disengaja.
- ▶ **Jauhkan dan simpan perkakas listrik dari jangkauan anak-anak dan jangan biarkan orang-orang yang tidak mengetahui cara menggunakan perkakas listrik, mengoperasikan perkakas listrik.** Perkakas listrik dapat membahayakan jika digunakan oleh orang-orang yang tidak terlatih.
- ▶ **Lakukan pemeliharaan perkakas listrik dan aksesori. Periksa komponen yang bergerak apabila tidak lurus atau terikat, kerusakan komponen, dan kondisi lain yang dapat mengganggu pengoperasian perkakas listrik. Apabila rusak, perbaiki perkakas listrik sebelum digunakan.** Kecelakaan sering terjadi karena perkakas listrik tidak dirawat dengan baik.
- ▶ **Jaga ketajaman dan kebersihan alat.** Alat pemotong dengan pisau pemotong yang tajam dan dirawat dengan baik tidak akan mudah tersangkut dan lebih mudah dikendalikan.
- ▶ **Gunakan perkakas listrik, aksesori, dan komponen perkakas dll sesuai dengan petunjuk ini, dengan mempertimbangkan kondisi kerja dan pekerjaan yang**

akan dilakukan. Penggunaan perkakas listrik untuk tujuan berbeda dari fungsinya dapat menyebabkan situasi yang berbahaya.


- ▶ **Jaga gagang dan permukaan genggam agar tetap kering, bersih, dan bebas dari minyak dan lemak.** Gagang dan permukaan genggam yang licin tidak menjamin keamanan kerja dan kontrol alat yang baik pada situasi yang tidak terduga.

Servis

- ▶ **Minta teknisi berkualifikasi untuk menyervis perkakas listrik dengan hanya menggunakan suku cadang yang identik.** Dengan demikian, hal ini akan memastikan keamanan perkakas listrik.

Petunjuk Keselamatan untuk gergaji sirkular

Prosedur pemotongan

- ▶  **BAHAYA: Jauhkan tangan dari area pemotongan dan bilah pisau. Jaga tangan yang lain agar tetap pada gagang tambahan atau housing mesin.** Jika kedua tangan menggenggam gergaji, tangan Anda tidak akan terkena bilah pisau.
- ▶ **Jangan pegang bagian bawah benda kerja.** Pelindung tidak dapat melindungi tangan Anda dari bilah pisau di bawah benda kerja.
- ▶ **Sesuaikan kedalaman pemotongan dengan ketebalan benda kerja.** Kurangnya gerigi bilah pisau dapat terlihat dari bawah benda kerja.
- ▶ **Jangan pernah pegang benda kerja di tangan atau kaki saat memotong. Jaga agar benda kerja tetap berada pada landasan yang stabil.** Penting untuk menunjang pekerjaan dengan benar agar dapat mengurangi paparan ke badan, bilah pisau tersangkut, atau kehilangan kendali.
- ▶ **Saat menggunakan perkakas listrik, pegang perkakas listrik pada permukaan gagang isolator karena alat pemotong dapat saja bersentuhan dengan kabel yang tidak terlihat atau kabel alat pemotong itu sendiri.** Kontak dengan kabel yang dialiri listrik juga akan menyebabkan terbukanya bagian logam dari alat yang dialiri listrik sehingga berisiko mengakibatkan sengatan listrik pada operator.
- ▶ **Selalu gunakan rip fence atau pemandu tepian lurus saat melakukan pembelahan.** Hal ini akan meningkatkan keakuratan pemotongan dan mengurangi kemungkinan bilah pisau tersangkut.
- ▶ **Selalu gunakan bilah pisau dengan ukuran dan bentuk lubang poros yang sesuai (wajik versus bulat).** Bilah pisau yang tidak sesuai dengan perangkat keras yang terpasang pada gergaji akan bergerak tidak simetris dan mengakibatkan kehilangan kendali.
- ▶ **Jangan pernah menggunakan cincin pengencang bilah gergaji atau baut yang rusak atau tidak tepat.** Cincin pengencang bilah gergaji dan baut telah dirancang khusus untuk gergaji Anda guna memberikan performa yang optimal dan keselamatan saat pengoperasian.

Penyebab sentakan dan peringatan terkait

- sentakan merupakan reaksi yang terjadi secara tiba-tiba akibat bilah pisau gergaji terjepit, macet, atau tidak sejajar, sehingga menyebabkan gergaji yang tidak terkendali terangkat dan terlempar dari benda kerja ke arah operator;
- ketika bilah pisau terjepit atau macet dengan kencang pada celah potongan, bilah pisau akan berhenti bergerak dan mesin akan bereaksi dengan menggerakkan unit dengan cepat ke belakang, ke arah operator;
- jika bilah pisau terpelintir atau tidak sejajar pada potongan, gerigi di tepi belakang bilah pisau dapat menembus permukaan atas kayu sehingga menyebabkan bilah pisau melonjak keluar dari celah potongan dan terpental ke belakang, ke arah operator.

Sentakan merupakan akibat dari penggunaan yang salah pada gergaji dan/atau prosedur atau syarat pengoperasian atau syarat-syarat penggunaan yang tidak tepat, namun dapat dihindari dengan melakukan tindakan pencegahan yang tepat seperti yang diberikan di bawah ini.

- ▶ **Pertahankan gengaman yang erat pada gergaji dengan menggunakan kedua tangan dan posisikan lengan Anda untuk melawan gaya sentakan. Posisikan tubuh Anda ke salah satu sisi bilah pisau, tetapi tidak sejajar dengan bilah pisau.** Sentakan dapat menyebabkan gergaji terpental ke belakang, tetapi gaya sentakan dapat dikendalikan oleh operator, jika operator melakukan tindakan pencegahan yang benar.
- ▶ **Ketika bilah pisau tersangkut atau pemotongan terhenti oleh suatu sebab, lepaskan pemicu dan tahan gergaji pada material tanpa bergerak hingga bilah pisau benar-benar berhenti. Jangan pernah mencoba melepaskan gergaji dari benda kerja atau menarik gergaji ke belakang saat bilah pisau sedang bergerak atau sentakan dapat terjadi.** Periksa dan lakukan reparasi untuk mengatasi penyebab bilah pisau tersangkut.
- ▶ **Saat melanjutkan penggergajian pada benda kerja, pusatkan bilah gergaji pada celah pemotongan sehingga gerigi gergaji tidak masuk ke material.** Jika bilah gergaji tersangkut, bilah dapat naik atau tersentak dari benda kerja ketika gergaji dinyalakan kembali.
- ▶ **Berikan penyangga pada panel yang besar untuk mengurangi risiko bilah terjepit dan tersentak.** Panel yang besar cenderung akan merosot akibat besarnya beban. Penyangga harus ditempatkan di bawah panel pada kedua sisi, di dekat garis potongan dan di dekat tepi panel.
- ▶ **Jangan gunakan bilah pisau yang tumpul atau rusak.** Set bilah pisau yang tidak tajam atau tidak tepat akan menghasilkan celah potongan yang sempit dan menyebabkan gesekan yang berlebihan, bilah gergaji menjadi tersangkut, dan menyebabkan terjadinya sentakan.
- ▶ **Kedalaman bilah pisau dan tuas pengunci penyetel kemiringan harus kencang dan aman sebelum lanjut memotong.** Jika penyetelan bilah pisau bergeser ketika

memotong, hal ini dapat menyebabkan bilah pisau tersangkut dan tersentak.

- ▶ **Gunakan dengan sangat hati-hati saat menggergaji ke dinding atau area lain yang sulit dilihat.** Bilah pisau yang menonjol dapat memotong objek yang dapat menyebabkan sentakan.

Fungsi pelindung bawah

- ▶ **Pastikan pelindung bawah dapat menutup dengan benar setiap sebelum digunakan. Jangan operasikan gergaji jika pelindung bawah tidak dapat bergerak bebas dan menutup secara tiba-tiba. Jangan jepit atau ikat pelindung bawah pada posisi terbuka.** Jika gergaji secara tidak sengaja jatuh, pelindung dapat menjadi bengkok. Angkat pelindung bawah dengan gagang penarik dan pastikan pelindung dapat bergerak bebas serta tidak bersentuhan dengan bilah pisau atau bagian lainnya pada semua sudut dan kedalaman pemotongan.
- ▶ **Periksa pengoperasian pegas pelindung bawah. Jika pelindung dan pegas tidak beroperasi dengan benar, komponen tersebut harus diservis terlebih dahulu sebelum digunakan.** Pelindung bawah mungkin akan beroperasi dengan lambat akibat adanya komponen yang rusak, endapan cairan yang lengket, atau tumpukan kotoran.
- ▶ **Pelindung bawah dapat ditarik secara manual hanya untuk pemotongan khusus seperti "pemotongan ke bawah" (plunge cut) dan "pemotongan gabungan" (compound cut).** Angkat pelindung bawah pada gagang penarik dan segera setelah bilah pisau masuk ke material, pelindung bawah akan terlepas. Untuk semua penggergajian lainnya, pelindung bawah beroperasi secara otomatis.
- ▶ **Selalu pastikan pelindung bawah menutupi bilah pisau sebelum meletakkan gergaji pada bangku atau lantai.** Bilah pisau yang tidak terlindungi dan berputar akan menyebabkan gergaji bergerak ke belakang, dan memotong apa saja yang ada di jalurnya. Perhatikan waktu yang dibutuhkan bilah pisau untuk berhenti setelah switch dipindah.

Petunjuk Keselamatan tambahan

- ▶ **Jangan memegang chip ejector.** Anda dapat mengalami cedera akibat komponen yang berputar.
- ▶ **Jangan mengoperasikan alat di atas kepala.** Mengoperasikan alat dengan cara demikian membuat perkakas tidak dapat dikendalikan dengan stabil.
- ▶ **Gunakanlah alat detektor logam yang cocok untuk mencari kabel dan pipa yang tidak terlihat atau hubungi perusahaan pengadaan setempat.** Sentuhan dengan kabel-kabel listrik dapat mengakibatkan api dan kontak listrik. Pipa gas yang dirusak dapat mengakibatkan ledakan. Pipa air yang dirusak mengakibatkan kerusakan barang-barang atau dapat mengakibatkan kontak listrik.
- ▶ **Pegang erat perkakas listrik dengan kedua tangan selama mengoperasikannya dan pastikan Anda berdiri di posisi aman.** Gunakan perkakas listrik dengan kedua tangan secara hati-hati.

- ▶ **Jangan mengoperasikan perkakas listrik secara stasioner.** Alat ini tidak dirancang untuk pengoperasian dengan meja gergaji.
- ▶ **Selama melakukan "plunge cut" yang tidak diarahkan ke posisi ortogonal, pastikan pelat pemandu gergaji tidak bergeser.** Mata gergaji yang bergeser ke samping dapat menjadi terbelit dan menyebabkan terjadinya sentakan.
- ▶ **Gunakan alat kerja dengan aman.** Benda yang ditahan dalam alat pemegang atau bais lebih aman daripada benda yang dipegang dengan tangan.
- ▶ **Sebelum meletakkan perkakas listrik, tunggulah hingga perkakas berhenti berputar.** Alat kerja dapat tersangkut dan menyebabkan perkakas listrik tidak dapat dikendalikan.
- ▶ **Jangan menggunakan mata gergaji berbahan baja HSS (High-speed Steel).** Mata gergaji dari bahan ini mudah patah.
- ▶ **Jangan menggunakan logam besi.** Serbuk yang berkilau dapat menyulut api pada ekstraksi debu.
- ▶ **Pakailah masker debu.**

- (12) Pelat dasar
- (13) Tuas penyesuaian untuk kap pelindung yang dapat bergerak
- (14) Ejektor serbuk
- (15) Kap pelindung
- (16) Handel (permukaan genggam berisolator)
- (17) Kunci L^{a)}
- (18) Sekrup penjepit dengan cakram
- (19) Flensa penjepit
- (20) Mata gergaji untuk mesin gergaji bundar^{a)}
- (21) Poros gergaji dengan flensaudukan
- (22) Tuas penjepit untuk pemilihan awal kedalaman pemotongan
- (23) Skala kedalaman pemotongan
- (24) Sepasang klem^{b)}
- (25) Adaptor pengisap^{a)}

- a) **Aksesori yang digambarkan atau yang dijelaskan tidak termasuk dalam lingkup pengiriman standar. Semua aksesori yang ada dapat ditemukan dalam program aksesori kami.**
- b) **Standar (tidak termasuk dalam lingkup pengiriman)**

Spesifikasi produk dan performa



Bacalah semua petunjuk keselamatan dan petunjuk penggunaan. Kesalahan dalam menjalankan petunjuk keselamatan dan petunjuk penggunaan dapat mengakibatkan kontak listrik, kebakaran, dan/atau luka-luka yang berat.

Perhatikan ilustrasi yang terdapat pada sisi sampul panduan pengoperasian.

Tujuan penggunaan

Perkakas listrik ini cocok untuk mengerjakan pemotongan memanjang dan melintang dengan garis pemotongan tegak lurus dan serong pada kayu serta dikerjakan di atas permukaan yang stabil.

Ilustrasi komponen

Penomoran ilustrasi komponen mengacu pada gambar perkakas listrik pada halaman grafis.

- (1) Tombol on/off
- (2) Kunci pengaman untuk tombol on/off
- (3) Gagang tambahan (permukaan genggam berisolator)^{a)}
- (4) Tombol pengunci spindel
- (5) Skala sudut mitre
- (6) Baut kupu-kupu untuk penyetelan awal sudut mitre
- (7) Baut kupu-kupu untuk mistar sejajar
- (8) Tanda pemotongan 45°
- (9) Tanda pemotongan 0°
- (10) Mistar sejajar
- (11) Kap pelindung yang dapat digeser

Data teknis

Mesin gergaji tangan bundar		GKS 130
Nomor model		3 601 FC3 0..
Input daya nominal	W	1300
Kecepatan idle	min ⁻¹	5800
Kedalaman pemotongan maks. dengan diameter mata gergaji 184 mm		
- dengan sudut mitre 0°	mm	64
- dengan sudut mitre 45°	mm	45
Pengunci spindel		●
Dimensi pelat dasar	mm	290 x 150
Diameter mata gergaji maks.	mm	184
Diameter mata gergaji min.	mm	184
Ketebalan bilah baja maks.	mm	2,0
Lubang dudukan	mm	20
Berat sesuai dengan EPTA-Procedure 01:2014	kg	3,9
Tingkat perlindungan		□ / II

Data-data berlaku untuk tegangan nominal [U] 230 V. Pada tegangan yang lebih rendah dan pada model khusus mancanegara data-data ini bisa berlainan.

Cara memasang


- ▶ **Hanya selalu gunakan mata gergaji dengan kecepatan putaran maksimal yang diizinkan yang lebih tinggi daripada kecepatan putaran tanpa beban dari perkakas listrik.**

Memasang/mengganti mata gergaji untuk mesin gergaji bundar

- ▶ **Sebelum mulai dengan pekerjaan pada perkakas listrik, tariklah steker dari stopkontak.**
- ▶ **Pakailah sarung tangan pelindung pada waktu memasang mata gergaji.** Terdapat risiko cedera jika menyentuh mata gergaji.
- ▶ **Janganlah sekali-kali menggunakan mata gerinda sebagai alat kerja mesin gergaji ini.**

Melepas mata gergaji (lihat gambar A)

Untuk mengganti alat kerja, sebaiknya perkakas listrik diletakkan pada bagian depan housing mesin.



- Tekan dan tahan tombol pengunci poros (4).
- ▶ **Tekan tombol penahan poros kerja (4) hanya pada poros gergaji stasioner.** Jika tidak, perkakas listrik dapat rusak.
- Putar keluar sekrup penjepit (18) dengan kunci L (17) ke arah .
- Ayunkan kap pelindung yang dapat bergerak (11) dan pegang dengan kuat.
- Lepas flensa penjepit (19) dan mata gergaji (20) dari poros gergaji dengan flensa dudukan (21).

Memilih mata gergaji

Temukan ikhtisar mengenai mata gergaji yang disarankan di akhir petunjuk ini.

Memasang mata gergaji (lihat gambar A)

Untuk mengganti alat kerja, sebaiknya perkakas listrik diletakkan pada bagian depan housing mesin.

- Bersihkan mata gergaji (20) dan komponen penjepit yang dipasang.
- Ayunkan kap pelindung yang dapat bergerak (11) dan pegang dengan kuat.
- Pasang mata gergaji (20) pada poros gergaji dengan flensa dudukan (21). Arah pematangan gerigi (arah tanda panah pada mata gergaji) dan tanda arah putaran pada kap pelindung (15) harus sesuai.
- Pasang flensa penjepit (19) dan kencangkan baut pengencang (18) ke arah . Perhatikan posisi pemasangan yang benar dari poros gergaji dengan flensa dudukan (21) dan flensa penjepit (19).
- Tekan dan tahan tombol pengunci poros (4).
- Kencangkan sekrup pengencang (18) dengan kunci L (17) ke arah . Torsi pengencangan sebaiknya sebesar 6–9 Nm yang sesuai dengan putaran kekuatan tangan sebesar ¼ putaran.

Pengisap debu/serbuk

Debu dari bahan-bahan seperti cat yang mengandung timbal, beberapa jenis kayu, bahan mineral dan logam dapat berbahaya bagi kesehatan. Menyentuh atau menghirup debu tersebut dapat mengakibatkan reaksi alergi dan/atau penyakit saluran pernapasan bagi pengguna atau orang yang berada di dekatnya.

Beberapa debu tertentu seperti misalnya debu kayu pohon

ek atau pohon fagus silvatica dianggap dapat mengakibatkan penyakit kanker, terutama dalam campuran dengan bahan-bahan tambahan untuk pengolahan kayu (kromat, obat pengawet kayu). Bahan-bahan yang mengandung asbes hanya boleh dikerjakan oleh orang-orang yang ahli.

- Gunakanlah hanya pengisap debu yang cocok untuk mengisap bahan yang dikerjakan.
- Pastikan terdapat ventilasi udara yang baik di tempat kerja.
- Dianjurkan untuk memakai masker anti debu dengan filter kelas P2.

Taatilah peraturan-peraturan untuk bahan-bahan yang dikerjakan yang berlaku di negara Anda.

▶ **Hindari debu yang banyak terkumpul di tempat kerja.**

Debu dapat tersulut dengan mudah.

Memasang adaptor isap (lihat gambar E)

Pasang adaptor isap (25) pada ejektor serbuk gergaji (14) hingga terkunci.

Pada adaptor isap (25) dapat dihubungkan slang pengisap dengan diameter sebesar 35 mm.

▶ **Adaptor isap tidak boleh dipasang tanpa alat pengisap eksternal yang terhubung.** Jika tidak demikian, saluran pengisapan dapat tersumbat.

▶ **Tidak boleh ada kantong debu yang terhubung ke adaptor isap.** Jika tidak, sistem pengisap dapat tersumbat.

Untuk menjamin pengisapan yang optimal, adaptor isap harus dibersihkan (25) secara teratur.

Pengisap eksternal

Hubungkan slang pengisap dengan alat pengisap debu (aksesori). Ikhtisar untuk menyambungkan berbagai pengisap debu dapat dilihat di bagian akhir panduan ini.

Perkakas listrik dapat dihubungkan secara langsung ke stopkontak pada pengisap debu serbaguna dari Bosch dengan perangkat start jauh. Jika perkakas listrik dihidupkan, mesin pengisap ikut hidup secara otomatis. Mesin pengisap debu harus cocok untuk material yang dikerjakan.

Gunakan mesin pengisap khusus saat mengisap debu yang sangat berbahaya bagi kesehatan, pemicu kanker, atau debu kering.

Penggunaan

▶ **Sebelum mulai dengan pekerjaan pada perkakas listrik, tariklah steker dari stopkontak.**

Mode pengoperasian

Mengatur kedalaman pemotongan (lihat gambar B)

▶ **Sesuaikan kedalaman pemotongan dengan ketebalan benda kerja.** Mata gergaji hanya boleh melampaui bagian bawah dari benda kerja maksimal setinggi satu gigi.

Lepaskan tuas pengencang (22). Untuk kedalaman pemotongan yang lebih kecil, tarik gergaji dari pelat dasar (12), untuk kedalaman pemotongan yang lebih besar, tekan

gergaji ke arah pelat dasar (12). Setel ukuran yang diinginkan pada skala kedalaman pemotongan. Kencangkan kembali tuas pengencang (22).

Jika setelah melepaskan tuas pengencang (22) Anda tidak dapat menyesuaikan kedalaman pemotongan sepenuhnya, tarik tuas pengencang (22) dari gergaji dan ayunkan ke bawah. Lepaskan kembali tuas pengencang (22). Ulangi proses ini hingga kedalaman pemotongan yang diinginkan dapat disetel.

Jika setelah mengencangkan tuas pengencang (22) Anda tidak dapat mengatur kedalaman pemotongan dengan baik, tarik tuas pengencang (22) dari gergaji dan ayunkan ke atas. Lepaskan kembali tuas pengencang (22). Ulangi proses ini hingga kedalaman pemotongan dapat diatur.

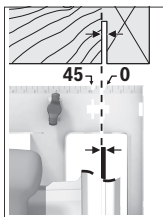
Mengatur sudut pemotongan

Perkakas listrik sebaiknya diletakkan pada bagian depan dari kap pelindung (15).

Lepaskan baut kupu-kupu (6). Olenkan mesin gergaji. Setel ukuran yang diinginkan pada skala (5). Kencangkan kembali baut kupu-kupu (6).

Catatan: Kedalaman pemotongan lebih kecil dari nilai yang ditampilkan pada skala kedalaman pemotongan (23).

Tanda pemotongan



Tanda pemotongan 0° (9) menunjukkan posisi mata gergaji pada pemotongan persegi. Tanda pemotongan 45° (8) menunjukkan posisi pada mata gergaji pemotongan 45°.

Untuk melakukan pemotongan yang tepat, dekatkan mesin gergaji bundar pada benda kerja seperti yang terlihat pada gambar. Sebaiknya lakukan uji coba pemotongan terlebih dulu.

Cara penggunaan

- ▶ **Perhatikan tegangan listrik! Tegangan sumber listrik harus sesuai dengan informasi yang tercantum pada label perkakas listrik. Perkakas listrik dengan daya sebesar 230 V seperti yang diindikasikan pada label juga dapat dioperasikan pada daya 220 V.**

Menghidupkan/mematikan

- ▶ **Pastikan bahwa Anda dapat mengoperasikan tombol untuk menghidupkan dan mematikan tanpa perlu melepaskan handle.**

Untuk penggunaan perkakas listrik pertama kali, tekan switch pengaman (2) dan tekan serta tahan kemudian tombol on/off (1).

Untuk menonaktifkan perkakas listrik, lepaskan tombol on/off (1).

Catatan: Demi alasan keselamatan, tombol on/off (1) tidak bisa dikunci, melainkan selama penggunaan perkakas, tombol harus selalu ditekan.

Petunjuk pengoperasian

- ▶ **Sebelum mulai dengan pekerjaan pada perkakas listrik, tariklah steker dari stopkontak.**

Lebar pemotongan dapat bervariasi bergantung pada mata gergaji yang digunakan.

Lindungi mata gergaji dari benturan dan tumbukan.

Arahkan perkakas listrik secara merata dan dengan dorongan ringan ke arah pemotongan untuk mendapatkan kualitas pemotongan yang baik. Dorongan yang terlalu kuat akan sangat mengurangi masa pakai alat sisipan dan dapat merusak perkakas listrik.

Daya dan kualitas pemotongan tergantung pada keadaan dan bentuk gigi dari mata gergaji. Karena itu, hanya gunakan mata gergaji yang tajam dan sesuai untuk bahan yang akan dikerjakan.

Menggergaji kayu

Pemilihan mata gergaji yang sesuai didasarkan pada jenis kayu, kualitas kayu dan jenis pemotongan, apakah memanjang atau melintang.

Pada pemotongan memanjang pada kayu cemara terdapat serpihan kayu yang berbentuk spiral dan panjang.

Debu kayu beech dan kayu oak sangat berbahaya bagi kesehatan, karena itu, hanya operasikan perkakas dengan pengisap debu.

Menggergaji dengan mistar sejajar (lihat gambar C)

Mistar sejajar (10) memungkinkan pemotongan yang tepat pada sepanjang tepi benda kerja atau bagian dari potongan yang sama.

Lepaskan baut kupu-kupu (7) dan geser skala pada mistar sejajar (10) melalui pemandu pada pelat dasar (12). Atur lebar pemotongan yang diinginkan sebagai nilai skala pada tanda pemotongan yang sesuai (9) atau (8), lihat pada bab "Tanda pemotongan". Kencangkan kembali baut kupu-kupu (7).

Menggergaji dengan alat penghenti (lihat gambar D)

Untuk memotong benda-benda yang besar atau memotong tepian yang lurus, Anda bisa mengencangkan sebuah papan atau lis sebagai penghenti benda kerja dan memandu gergaji bundar dengan pelat dasar pada alat penghenti.

Perawatan dan servis

Perawatan dan pembersihan

- ▶ **Sebelum mulai dengan pekerjaan pada perkakas listrik, tariklah steker dari stopkontak.**
- ▶ **Perkakas listrik dan lubang ventilasi harus selalu dibersihkan agar perkakas dapat digunakan dengan baik dan aman.**

Jika kabel listrik harus diganti, pekerjaan ini harus dilakukan oleh **Bosch** atau Service Center untuk perkakas listrik **Bosch** resmi agar keselamatan kerja selalu terjamin.

Kap pelindung harus selalu dapat bergerak secara bebas dan harus dapat menutup sendiri. Karena itu, jaga kebersihan

area di sekitar kap pelindung. Bersihkan debu dan serpihan menggunakan sikat.

Mata gergaji yang tidak dilapisi bisa dilindungi dari korotan dengan mengolesinya dengan minyak yang tidak mengandung asam. Sebelum menggunakan mesin gergaji, bersihkan mata gergaji dari minyak karena kayu bisa tercemar karenanya.

Sisa-sisa damar dan lem pada mata gergaji akan memengaruhi hasil pemotongan. Karena itu, bersihkan mata gergaji setelah penggunaan.

Layanan pelanggan dan konsultasi penggunaan

Layanan pelanggan Bosch menjawab semua pertanyaan Anda tentang reparasi dan perawatan serta tentang suku cadang produk ini. Gambaran teknis (exploded view) dan informasi mengenai suku cadang dapat ditemukan di:

www.bosch-pt.com

Tim konsultasi penggunaan Bosch akan membantu Anda menjawab pertanyaan seputar produk kami beserta aksesorinya.

Jika Anda hendak menanyakan sesuatu atau memesan suku cadang, selalu sebutkan nomor model yang terdiri dari 10 angka dan tercantum pada label tipe produk.

Indonesia

PT Robert Bosch Indonesia
Arkadia Green Park Tower G – 7th floor
Jl. Let. Jend. TB. Simatupang Kav. 88
Jakarta 12520
Tel.: (021) 3005 5800
Fax: (021) 3005 5801
E-Mail: boschpowertools@id.bosch.com
www.bosch-pt.co.id

Alamat layanan lainnya dapat ditemukan di:

www.bosch-pt.com/serviceaddresses

Cara membuang

Perkakas listrik, aksesoris, dan kemasan sebaiknya didaur ulang secara ramah lingkungan.



Jangan membuang perkakas listrik ke dalam tempat sampah rumah tangga!

Tiếng Việt

Hướng dẫn an toàn

Hướng dẫn an toàn chung cho dụng cụ điện

⚠ CẢNH BÁO Hãy đọc toàn bộ các cảnh báo an toàn, hướng dẫn, hình ảnh và thông số kỹ thuật được cung cấp

cho dụng cụ điện cầm tay này. Không tuân thủ mọi hướng dẫn được liệt kê dưới đây có thể bị điện giật, gây cháy và /hay bị thương tật nghiêm trọng.

Hãy giữ tất cả tài liệu về cảnh báo và hướng dẫn để tham khảo về sau.

Thuật ngữ "dụng cụ điện cầm tay" trong phần cảnh báo là để cập đến sự sử dụng dụng cụ điện cầm tay của bạn, loại sử dụng điện nguồn (có dây cắm điện) hay vận hành bằng pin (không dây cắm điện).

Khu vực làm việc an toàn

- ▶ **Giữ nơi làm việc sạch và đủ ánh sáng.** Nơi làm việc bừa bộn và tối tăm dễ gây ra tai nạn.
- ▶ **Không vận hành dụng cụ điện cầm tay trong môi trường dễ gây nổ, chẳng hạn như nơi có chất lỏng dễ cháy, khí đốt hay rác.** Dụng cụ điện cầm tay tạo ra các tia lửa nên có thể làm rác bén cháy hay bốc khói.
- ▶ **Không để trẻ em hay người đến xem đứng gần khi vận hành dụng cụ điện cầm tay.** Sự phân tâm có thể gây ra sự mất điều khiển.

An toàn về điện

- ▶ **Phích cắm của dụng cụ điện cầm tay phải thích hợp với ổ cắm.** Không bao giờ được cài biến lại phích cắm dưới mọi hình thức. **Không được sử dụng phích tiếp hợp nối tiếp đất (dây mát).** Phích cắm nguyên bản và ổ cắm đúng loại sẽ làm giảm nguy cơ bị điện giật.
- ▶ **Tránh không để thân tiếp xúc với đất hay các vật có bề mặt tiếp đất như đường ống, lò sưởi, hàng rào và tủ lạnh.** Có nhiều nguy cơ bị điện giật hơn nếu cơ thể bạn bị tiếp hay nối đất.
- ▶ **Không được để dụng cụ điện cầm tay ngoài mưa hay ở tình trạng ẩm ướt.** Nước vào máy sẽ làm tăng nguy cơ bị điện giật.
- ▶ **Không được làm dụng dây dẫn điện.** Không bao giờ được nắm dây dẫn để xách, kéo hay rút phích cắm dụng cụ điện cầm tay. **Không để dây gần nơi có nhiệt độ cao, dầu nhớt, vật nhọn bén và bộ phận chuyển động.** Làm hỏng hay cuộn rối dây dẫn làm tăng nguy cơ bị điện giật.
- ▶ **Khi sử dụng dụng cụ điện cầm tay ngoài trời, dùng dây nối thích hợp cho việc sử dụng ngoài trời.** Sử dụng dây nối thích hợp cho việc sử dụng ngoài trời làm giảm nguy cơ bị điện giật.
- ▶ **Nếu việc sử dụng dụng cụ điện cầm tay ở nơi ẩm ướt là không thể tránh được, dùng thiết bị ngắt mạch tự động (RCD) bảo vệ nguồn.** Sử dụng thiết bị ngắt mạch tự động RCD làm giảm nguy cơ bị điện giật.

An toàn cá nhân

- ▶ **Hãy tỉnh táo, biết rõ mình đang làm gì và hãy sử dụng ý thức khi vận hành dụng cụ điện cầm tay.** Không sử dụng dụng cụ điện cầm tay khi đang mệt mỏi hay đang bị tác động do chất gây nghiện, rượu hay được phẩm gây ra.

Một thoáng mắt tập trung khi đang vận hành dụng cụ điện cầm tay có thể gây thương tích nghiêm trọng cho bản thân.

- ▶ **Sử dụng trang bị bảo hộ cá nhân. Luôn luôn đeo kính bảo vệ mắt.** Trang bị bảo hộ như khẩu trang, giày chống trượt, nón bảo hộ, hay dụng cụ bảo vệ tai khi được sử dụng đúng nơi đúng chỗ sẽ làm giảm nguy cơ thương tật cho bản thân.
- ▶ **Phòng tránh máy khởi động bất ngờ. Bảo đảm công tắc máy ở vị trí tắt trước khi cắm vào nguồn điện và/hay lắp pin vào, khi nhấn máy lên hay khi mang xách máy.** Ngáng ngón tay vào công tắc máy để xách hay kích hoạt dụng cụ điện cầm tay khi công tắc ở vị trí mở dễ dẫn đến tai nạn.
- ▶ **Lấy mọi chia hay khóa điều chỉnh ra trước khi mở điện dụng cụ điện cầm tay.** Khóa hay chia còn gắn dính vào bộ phận quay của dụng cụ điện cầm tay có thể gây thương tích cho bản thân.
- ▶ **Không rướn người. Luôn luôn giữ tư thế đứng thích hợp và thăng bằng.** Điều này tạo cho việc điều khiển dụng cụ điện cầm tay tốt hơn trong mọi tình huống bất ngờ.
- ▶ **Trang phục thích hợp. Không mặc quần áo rộng lủng thụng hay mang trang sức. Giữ tóc và quần áo xa khỏi các bộ phận chuyển động.** Quần áo rộng lủng thụng, đồ trang sức hay tóc dài có thể bị cuốn vào các bộ phận chuyển động.
- ▶ **Nếu có các thiết bị đi kèm để nối máy hút bụi và các phụ kiện khác, bảo đảm các thiết bị này được nối và sử dụng tốt.** Việc sử dụng các thiết bị gom hút bụi có thể làm giảm các độc hại liên quan đến bụi gây ra.
- ▶ **Không để thói quen do sử dụng thường xuyên dụng cụ khiến bạn trở nên chủ quan và bỏ qua các quy định an toàn dụng cụ.** Một hành vi bất cẩn có thể gây ra thương tích nghiêm trọng chỉ trong tích tắc.

Sử dụng và bảo dưỡng dụng cụ điện cầm tay

- ▶ **Không được ép máy. Sử dụng dụng cụ điện cầm tay đúng loại theo đúng ứng dụng của bạn.** Dụng cụ điện cầm tay đúng chức năng sẽ làm việc tốt và an toàn hơn theo đúng tiến độ mà máy được thiết kế.
- ▶ **Không sử dụng dụng cụ điện cầm tay nếu như công tắc không tắt và mở được.** Bất kỳ dụng cụ điện cầm tay nào mà không thể điều khiển được bằng công tắc là nguy hiểm và phải được sửa chữa.
- ▶ **Rút phích cắm ra khỏi nguồn điện và/hay pin ra khỏi dụng cụ điện cầm tay nếu có thể tháo được, trước khi tiến hành bất kỳ điều chỉnh nào, thay phụ kiện, hay cắt dụng cụ điện cầm tay.** Các biện pháp ngăn ngừa như vậy làm giảm

nguy cơ dụng cụ điện cầm tay khởi động bất ngờ.

- ▶ **Cất giữ dụng cụ điện cầm tay không dùng tới nơi trẻ em không lấy được và không cho người chưa từng biết dụng cụ điện cầm tay hay các hướng dẫn này sử dụng dụng cụ điện cầm tay.** Dụng cụ điện cầm tay nguy hiểm khi ở trong tay người chưa được chỉ cách sử dụng.
- ▶ **Bảo quản dụng cụ điện cầm tay và các phụ kiện. Kiểm tra xem các bộ phận chuyển động có bị sai lệch hay kẹt, các bộ phận bị rạn nứt và các tình trạng khác có thể ảnh hưởng đến sự vận hành của máy. Nếu bị hư hỏng, phải sửa chữa máy trước khi sử dụng.** Nhiều tai nạn xảy ra do bảo quản dụng cụ điện cầm tay tồi.
- ▶ **Giữ các dụng cụ cắt bén và sạch.** Bảo quản đúng cách các dụng cụ cắt có cạnh cắt bén làm giảm khả năng bị kẹt và dễ điều khiển hơn.
- ▶ **Sử dụng dụng cụ điện cầm tay, phụ kiện, đầu cài v. v., đúng theo các chỉ dẫn này, hãy lưu ý đến điều kiện làm việc và công việc phải thực hiện.** Sự sử dụng dụng cụ điện cầm tay khác với mục đích thiết kế có thể tạo nên tình huống nguy hiểm.
- ▶ **Giữ tay cầm và bề mặt nắm luôn khô ráo, sạch sẽ và không dính dầu mỡ.** Tay cầm và bề mặt nắm trơn trượt không đem lại thao tác an toàn và kiểm soát dụng cụ trong các tình huống bất ngờ.

Bảo dưỡng

- ▶ **Đưa dụng cụ điện cầm tay của bạn đến thợ chuyên môn để bảo dưỡng, chỉ sử dụng phụ tùng đúng chủng loại để thay.** Điều này sẽ đảm bảo sự an toàn của máy được giữ nguyên.

Các hướng dẫn an toàn cho cửa tròn

Các quy trình cắt

- ▶ **⚠ NGUY HIỂM: Không được cho tay vào khu vực cắt và lưỡi cắt. Đặt một tay lên tay nắm phụ, hoặc vỏ động cơ.** Nếu dùng cả hai tay để giữ máy cửa, lưỡi cửa sẽ không thể làm đứt tay.
- ▶ **Không được chạm tay vào phía dưới phôi gia công.** Nắp bảo vệ không thể bảo vệ bạn khỏi lưỡi cửa phía dưới phôi gia công.
- ▶ **Điều chỉnh độ sâu cắt theo độ dày của phôi gia công.** Phải nhìn thấy ít nhất một răng cửa của lưỡi cửa phía dưới phôi gia công.
- ▶ **Trong khi cắt, tuyệt đối không dùng tay nắm phôi được cắt hoặc đặt phôi ngang chân của bạn. Cố định phôi gia công vào sàn thao tác cố định.** Việc cố định phôi để giảm thiểu điện tích tiếp xúc với cơ thể, giảm thiểu làm kẹt lưỡi cửa hoặc mất kiểm soát là rất quan trọng.

- ▶ **Cắm dụng cụ điện tại các bề mặt cầm nắm cách điện, khi thực hiện một thao tác tại vị trí mà dụng cụ cắt có thể tiếp xúc với dây điện ngầm hoặc dây điện của thiết bị.** Việc tiếp xúc "trực tiếp" với dây có điện cũng có thể làm cho các phần kim loại hở của dụng cụ điện cầm tay có điện và có thể gây ra điện giật cho người vận hành.
- ▶ **Khi xẻ dọc, luôn sử dụng lá chắn dọc thớ hoặc thanh dẫn hướng cạnh thẳng.** Điều này cải thiện độ chính xác của đường cắt và giảm sự bó lưỡi cưa.
- ▶ **Luôn sử dụng lưỡi cưa đúng kích cỡ và hình dáng (lưỡi kim cương khác với lưỡi tròn) của lỗ tâm.** Các lưỡi không khớp với các phụ kiện cứng ghép nối của máy cưa sẽ làm lệch tâm và có thể làm mất kiểm soát.
- ▶ **Tuyệt đối không sử dụng vòng đệm hoặc chốt lưỡi cưa bị hỏng hoặc không đúng.** Vòng đệm và chốt lưỡi cưa được thiết kế đặc biệt cho máy cưa của bạn, để mang lại hiệu suất và an toàn hoạt động tối ưu.

Nguyên nhân gây ra lực phản hồi và các cảnh báo liên quan

– Lực phản hồi là một lực tác động đột ngột lên lưỡi cưa bị bó, kẹt hoặc bị lệch tâm làm cho không kiểm soát được lưỡi cưa khi nâng và đẩy phôi về phía người vận hành;

– khi lưỡi cưa bị bó hoặc kẹt chặt khi đóng rãnh cưa, lưỡi cưa sẽ dừng lại và quán tính của động cơ làm cho thiết bị chạy nhanh hơn hướng về phía người vận hành;

– nếu lưỡi cưa bị xoắn hoặc lệch tâm trong đường cưa, rãnh cưa ở cạnh sau của lưỡi cưa có thể cắt sâu vào bề mặt phía trên của tấm gỗ và làm cho lưỡi cưa chệch khỏi rãnh cưa và nảy ngược trở lại phía người vận hành.

Lực phản hồi là do việc sử dụng sai và/hoặc quy trình hoặc điều kiện vận hành sai máy cưa và có thể phòng tránh bằng cách áp dụng các biện pháp phòng ngừa phù hợp được nêu dưới đây.

- ▶ **Giữ chặt tay nắm trên máy cưa bằng cả hai tay và giữ chặt tay của bạn để chịu được các lực phản hồi. Giữ cơ thể của bạn về một trong hai phía của lưỡi cưa, nhưng không được thẳng hàng với lưỡi cưa.** Lực phản hồi có thể làm cho máy cưa bật ngược trở lại, tuy nhiên người vận hành có thể kiểm soát được các lực phản hồi nếu áp dụng các biện pháp phòng ngừa phù hợp.
- ▶ **Khi lưỡi cưa bị kẹt hoặc khi dừng cưa vì bất kỳ lý do nào đó, hãy nhả công tắc bấm của máy cưa và giữ cố định máy cưa trong vật liệu tới khi lưỡi cưa đã dừng quay hẳn. Tuyệt đối không cố gắng lấy máy cưa ra khỏi phôi hoặc kéo ngược máy cưa trong khi lưỡi cưa vẫn đang quay nếu không lực phản hồi có**

thể xảy ra. Kiểm tra và có biện pháp khắc phục để loại bỏ nguyên nhân kẹt lưỡi cưa.

- ▶ **Khi khởi động lại máy cưa đang ở trong phôi gia công, chỉnh tâm lưỡi cưa vào đúng rãnh cưa sao cho răng cưa không bị mắc vào vật liệu.** Nếu lưỡi cưa bị kẹt, nó có thể trật rãnh cưa hoặc sinh ra lực phản hồi từ phôi khi khởi động lại máy cưa.
- ▶ **Sử dụng các panô lớn để giảm thiểu rủi ro bị kẹt lưỡi cưa và lực phản hồi.** Các panô lớn thường võng xuống dưới trọng lượng riêng của chúng. Cần phải đặt các tấm đỡ phía dưới panô ở cả hai phía, gần đường cưa và gần cạnh của panô.
- ▶ **Không sử dụng lưỡi cưa hỏng hoặc cùn.** Lưỡi cưa không sắc hoặc không phù hợp có thể tạo ra rãnh cưa hẹp gây ra lực ma sát quá mức, bó lưỡi cưa và lực phản hồi.
- ▶ **Độ sâu của lưỡi cưa và các tay siết điều chỉnh phải chặt và chắc chắn trước khi tiến hành cưa.** Nếu lưỡi cưa dịch chuyển trong khi cưa, nó có thể làm kẹt lưỡi cưa và gây ra lực phản hồi.
- ▶ **Sử dụng thêm biện pháp an toàn khi cắt rãnh vào các vách hiện có hoặc các khu vực không nhìn thấy khác.** Lưỡi cưa nhô ra có thể cắt các vật thể và có thể gây ra lực phản hồi.

Chức năng nắp bảo vệ phía dưới

- ▶ **Kiểm tra nắp bảo vệ phía dưới đã đóng kín hay chưa trước mỗi lần sử dụng. Không được vận hành máy cưa nếu nắp bảo vệ phía dưới không di chuyển tự do và đóng lại được. Tuyệt đối không kẹp hoặc gắn nắp bảo vệ phía dưới vào vị trí mở.** Nếu tình cờ làm rơi máy cưa, nắp bảo vệ phía dưới có thể bị cong. Nâng nắp bảo vệ phía dưới lên bằng tay nắm co rút và đảm bảo nó di chuyển tự do và không được chạm vào lưỡi cưa hoặc bất kỳ bộ phận nào khác ở tất cả các góc và độ sâu của đường cưa.
- ▶ **Kiểm tra hoạt động của lò xo bảo vệ phía dưới. Nếu nắp bảo vệ và lò xo không hoạt động tốt, phải sửa chữa chúng trước khi sử dụng.** Nếu nắp bảo vệ dưới hoạt động chậm do các bộ phận bị hư hỏng, nhựa lỏng hoặc tích tụ các mảnh vụn cưa.
- ▶ **Có thể co rút nắp bảo vệ phía dưới bằng tay chỉ với các đường cưa đặc biệt như các "đường cưa rãnh chìm" và "đường cưa ghép".** Nâng nắp bảo vệ phía dưới lên bằng tay nắm co rút và ngay khi lưỡi cưa cắt vào vật liệu, phải nhả nắp bảo vệ phía dưới ra. Đối với các đường cưa khác, phải vận hành nắp bảo vệ phía dưới một cách tự động.
- ▶ **Luôn quan sát nắp bảo vệ xem có che kín lưỡi cắt không trước khi đặt máy cưa xuống bàn làm việc hoặc sàn nhà.** Lưỡi cưa không

được bảo vệ sẽ làm cho máy cửa bật ngược lại và cắt vào bất kỳ điểm nào trong đường cửa. Cần để ý đến thời gian cần thiết để dừng lưới cửa sau khi nhả công tắc.

Các cảnh báo phụ thêm

- ▶ **Không cắm vào bộ phận vỏ bảo bằng tay.** Nó có thể làm bạn bị thương ở các bộ phận xoay.
- ▶ **Không làm việc với cửa ở trên đầu.** Bạn không kiểm soát đủ trên dụng cụ điện.
- ▶ **Dùng thiết bị dò tìm thích hợp để xác định nếu có các công trình công cộng lắp đặt ngầm trong khu vực làm việc hay liên hệ với Cty công trình công cộng địa phương để nhờ hỗ trợ.** Dụng cụ chạm đường dẫn điện có thể gây ra hỏa hoạn và điện giật. Làm hư hại đường dẫn nước gây hư hỏng tài sản hay có khả năng gây ra điện giật.
- ▶ **Giữ máy thật chắc bằng cả hai tay trong khi làm việc và luôn luôn giữ tư thế đứng cho thích hợp và cân bằng.** Dùng hai tay để điều khiển máy thì an toàn hơn.
- ▶ **Không được vận hành tĩnh dụng cụ điện.** Nó không được thiết kế để vận hành với bàn cửa.
- ▶ **Khi „Phay cắt chìm“, mà không được tiến hành ở góc bên phải, hãy cố định tấm dẫn hướng của cửa để chống di chuyển sang bên.** Việc di chuyển sang bên có thể dẫn đến kẹp lưới cửa và gây dội ngược.
- ▶ **Kẹp chặt vật gia công.** Vật gia công được kẹp bằng một thiết bị kẹp hay bằng ê-tô thì vững chắc hơn giữ bằng tay.
- ▶ **Luôn luôn đợi cho máy hoàn toàn ngừng hẳn trước khi đặt xuống.** Dụng cụ lắp vào máy có thể bị kẹp chặt dẫn đến việc dụng cụ điện cầm tay bị mất điều khiển.
- ▶ **Không được sử dụng lưới cửa bằng thép HSS.** Những loại lưới cửa như vậy có thể vỡ dễ dàng.
- ▶ **Không cửa kim loại đen.** Các vỏ bảo nóng sáng có thể đốt cháy hệ thống hút bụi.
- ▶ **Hãy mang mặt nạ chống bụi.**

Mô Tả Sản Phẩm và Đặc Tính Kỹ Thuật



Đọc kỹ mọi cảnh báo an toàn và mọi hướng dẫn. Không tuân thủ mọi cảnh báo và hướng dẫn được liệt kê dưới đây có thể bị điện giật, gây cháy và / hay bị thương tật nghiêm trọng.

Xin lưu ý các hình minh họa trong phần trước của hướng dẫn vận hành.

Sử dụng đúng cách

Máy được thiết kế để cắt gỗ theo đường dọc thẳng và chéo góc cũng như cắt vát chéo góc khi vật liệu gia công được kẹp giữ vững chắc.

Các bộ phận được minh họa

Việc đánh số các thành phần đã minh họa liên quan đến mô tả dụng cụ điện trên trang hình ảnh.

- (1) Công tắc Tắt/Mở
- (2) Nút nhả khóa của công tắc Tắt/Mở
- (3) Tay nắm phụ (có bề mặt nắm cách điện)^{a)}
- (4) Nút khóa trực
- (5) Thước đo góc vuông mộng
- (6) Bu-lông tai hông dùng để chọn trước góc xiên
- (7) Bu-lông tai hông của đường cặp cạnh
- (8) Dấu cắt 45°
- (9) Dấu cắt 0°
- (10) Thanh cũ
- (11) Chắn đàn hồi bảo vệ lưới
- (12) Chân đế khuôn bao
- (13) Cản đàn hồi của Chắn đàn hồi bảo vệ lưới
- (14) Vít khóa cầu thanh
- (15) Chắn bảo vệ lưới
- (16) Tay nắm (có bề mặt nắm cách điện)
- (17) Chia vận lục giác^{a)}
- (18) Vít siết với đĩa
- (19) Bích kẹp
- (20) Lưới Cửa^{a)}
- (21) Trục cửa có mặt bích tiếp nhận
- (22) Cản khóa dùng để chọn trước cỡ sâu cắt
- (23) Thước đo cỡ sâu cắt
- (24) Cặp kẹp vít^{b)}
- (25) Cút nối ống hút^{a)}

a) **Phụ tùng được trình bày hay mô tả không phải là một phần của tiêu chuẩn hàng hóa được giao kèm theo sản phẩm.** Bạn có thể tham khảo tổng thể các loại phụ tùng, phụ kiện trong chương trình phụ tùng của chúng tôi.

b) **Thông thường (không bao gồm trong phạm vi giao hàng)**

Thông số kỹ thuật

Cửa Dĩa	GKS 130	
Mã số máy	3 601 FC3 0..	
Công suất vào danh định	W	1300
Tốc độ không tải	/phút	5800
cỡ sâu cắt tối đa với đường kính lưới cửa là 184 mm		
– ở góc vát chéo 0°	mm	64
– ở góc vát chéo 45°	mm	45

Cửa Đĩa		GKS 130
Khóa trục		●
Các kích thước chân đế khuôn bao	mm	290 x 150
Đường kính lưỡi cưa tối đa	mm	184
Đường kính lưỡi cưa tối thiểu	mm	184
Độ dày lưỡi cưa, tối đa	mm	2,0
Lỗ lắp vào	mm	20
Trọng lượng theo EPTA-Procedure 01:2014	kg	3,9
Cấp độ bảo vệ		□ / II

Các giá trị đã cho có hiệu lực cho điện thế danh định [U] 230 V. Đối với điện thế thấp hơn và các loại máy dành riêng cho một số quốc gia, các giá trị này có thể thay đổi.

Sự lắp vào

- **Chỉ sử dụng lưỡi cưa có tốc độ tối đa cho phép cao hơn tốc độ không tải của dụng cụ điện.**

Lắp/Thay Lưỡi Cưa

- **Trước khi tiến hành bất cứ việc gì trên máy, kéo phích cắm điện nguồn ra.**
- **Khi lắp ráp lưỡi cưa, hãy mang găng tay bảo hộ vào.** Nguy cơ gây thương tích khi chạm vào lưỡi cưa.
- **Trong bất kỳ trường hợp nào cũng không được sử dụng đĩa mài làm phụ tùng.**

Tháo dỡ lưỡi cưa (xem hình A)

Để thay dụng cụ cắt, tốt nhất là nên đặt máy lên bên bề mặt có vỏ bọc động cơ.

- Nhấn nút khóa trục (4) và nhấn giữ.
- **Chỉ cho nút khóa trục hoạt động (4) khi trục cưa đã đứng yên.** Nếu không, máy có thể bị làm hỏng.
- Dùng chìa vặn sáu cạnh (17) để xoay bu-lông bắt cố định (18) theo hướng xoay ⚙️ ra ngoài.
- Hãy xoay chắn đàn hồi bảo vệ lưỡi (11) lùi và giữ chặt.
- Hãy tháo bích kẹp (19) và lưỡi cưa (20) khỏi trục cưa có mặt bích tiếp nhận (21).

Chọn Lưỡi Cưa

Bạn sẽ tìm thấy một tổng quan các lưỡi cưa khuyến nghị ở cuối hướng dẫn vận hành.

Lắp lưỡi cưa (xem hình A)

Để thay dụng cụ cắt, tốt nhất là nên đặt máy lên bên bề mặt có vỏ bọc động cơ.

- Làm sạch lưỡi cưa (20) và tất cả bộ phận kẹp cần lắp.
- Hãy xoay chắn đàn hồi bảo vệ lưỡi (11) lùi và giữ chặt.

- Hãy đặt lưỡi cưa (20) lên trục cưa (21). Hướng cắt của răng (Hướng mũi tên trên lưỡi cưa) và mũi tên hướng xoay trên chắn bảo vệ lưỡi (15) phải khớp.
- Đặt bích kẹp (19) lên và vặn bu-lông bắt cố định vào (18) theo hướng xoay ⚙️. Hãy chú ý vị trí lắp ráp đúng của trục cưa có mặt bích tiếp nhận (21) và bích kẹp (19).
- Nhấn nút khóa trục (4) và nhấn giữ.
- Dùng chìa vặn sáu cạnh (17) để siết chặt bu-lông bắt cố định (18) theo hướng xoay ⚙️. Mô-men xoắn phải đạt 6–9 Nm, tương ứng với ¼ vòng chặt vừa tay.

Hút Dăm/Bụi

Mạt bụi từ các vật liệu được sơn phủ ngoài có chứa chì trên một số loại gỗ, khoáng vật và kim loại có thể gây nguy hại đến sức khỏe con người. Dụng cụ chạm hay hít thở các bụi này có thể làm người sử dụng hay đứng gần bị dị ứng và/hoặc gây nhiễm trùng hệ hô hấp.

Một số hạt bụi cụ thể, ví dụ như bụi gỗ sồi hay đậu, được xem là chất gây ung thư, đặc biệt là có liên quan đến các chất phụ gia dùng xử lý gỗ (chất cromat, chất bảo quản gỗ). Có thể chỉ nên để thợ chuyên môn gia công các loại vật liệu có chứa amiăng.

- Cách xa ở mức có thể được, sử dụng hệ thống hút thích hợp cho loại vật liệu.
- Tạo không khí thông thoáng nơi làm việc.
- Khuyến nghị nên mang mặt nạ phòng độc có bộ lọc cấp P2.

Tuân thủ các qui định của quốc gia bạn liên quan đến loại vật liệu gia công.

- **Tránh không để rác tích tụ tại nơi làm việc.** Rác có thể dễ dàng bắt lửa.

Lắp bộ thích ứng hút (xem Hình E)

Hãy gắn bộ thích ứng hút (25) lên vít khóa cầu thanh (14) đến khi vào khớp.

Tại bộ thích ứng hút (25) một ống hút có thể được kết nối với đường kính 35 mm.

- **Bộ thích ứng hút không được phép lắp mà không có máy hút bụi ngoài đã kết nối.** Nếu không, đường hút có thể bị tắc nghẽn.
- **Tại bộ thích ứng hút không được phép kết nối túi chứa bụi.** Nếu không, hệ thống hút có thể bị tắc nghẽn.

Để đảm bảo sự hút được tốt nhất, bộ phận hút (25) ghép nối phải được làm sạch thường xuyên.

Máy Hút Bụi Ngoài

Nối ống hút với một chiếc máy hút bụi (phụ kiện). Ở phần cuối của tài liệu hướng dẫn này bạn sẽ tìm thấy phần tổng quan về việc kết nối ở các máy hút bụi khác nhau.

Dụng cụ điện có thể được kết nối trực tiếp với ổ cắm của máy hút bụi đa năng Bosch bằng thiết bị

khởi động từ xa. Máy hút chân không khởi động tự động khi máy được mở.

Máy hút bụi phải thích hợp dành cho loại vật liệu đang gia công.

Khi hút bụi khô loại đặc biệt gây nguy hại đến sức khỏe hoặc gây ra ung thư, hãy sử dụng máy hút bụi loại chuyên dụng.

Vận Hành

- ▶ Trước khi tiến hành bất cứ việc gì trên máy, kéo phích cắm điện nguồn ra.

Chế độ hoạt động

Điều chỉnh cỡ sâu cắt (xem hình B)

- ▶ **Điều chỉnh cỡ sâu cắt phù hợp với độ dày của phôi gia công.** Phải nhìn thấy được gần như nguyên răng của lưỡi cưa bên dưới vật liệu gia công.

Nhà tay gạt siết (22). Để có cỡ sâu cắt nhỏ hơn, hãy kéo cưa ra khỏi chân đế khuôn bao (12), để có cỡ sâu cắt lớn hơn hãy ấn cưa vào chân đế khuôn bao (12). Chính đặt cỡ sâu cắt theo yêu cầu trên thước đo cỡ sâu. Siết lại tay gạt siết (22).

Nếu bạn không thể điều chỉnh hoàn toàn cỡ sâu cắt sau khi nhà tay gạt siết (22), hãy kéo tay gạt siết (22) ra khỏi cưa và xoay xuống dưới. Hãy nhà tay gạt siết (22). Lập lại thao tác này cho đến khi có thể điều chỉnh được cỡ sâu cắt yêu cầu.

Nếu bạn không thể chỉnh đủ cỡ sâu cắt sau khi siết chặt tay gạt siết (22), hãy kéo tay gạt siết (22) ra khỏi cưa và xoay lên trên. Hãy nhà tay gạt siết (22). Lập lại thao tác này cho đến khi cỡ sâu cắt được chỉnh

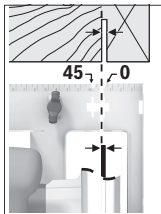
Làm trơn khi cắt kim loại

Tốt nhất là đặt dụng cụ điện lên mặt trước của chắn bảo vệ lưỡi (15).

Hãy nhà bu-lông tai hồng (6). Kéo nghiêng cưa sang một bên. Chính đặt cỡ sâu cắt theo yêu cầu trên thước đo (5). Siết chặt lại bu-lông tai hồng (6).

Lưu ý: Khi cắt mép vát, cỡ sâu cắt sẽ nhỏ hơn giá trị được hiển thị trên thước đo cỡ sâu (23).

Các Vạch Cắt



Đấu cắt 0° (9) hiển thị vị trí của lưỡi cưa ở vết cắt vuông góc.

Đấu cắt 45° (8) hiển thị vị trí của lưỡi cưa ở vết cắt 45°.

Để cắt chính xác, chỉnh đặt máy cưa đĩa tựa vào vật gia công như đã được trình bày trong hình. Tốt nhất là nên thực hiện việc cắt thử trước.

Bắt Đầu Vận Hành

- ▶ **Hãy cẩn thận với nguồn điện! Điện thế của nguồn điện cung cấp phải tương ứng với số liệu ghi trên nhãn loại máy của thiết bị điện. Dụng cụ điện được ghi 230 V cũng có thể được vận hành ở 220 V.**

Bật Mở và Tắt

- ▶ **Hãy đảm bảo rằng, bạn có thể nhấn Công tắc bật/tắt, mà không cần nhà tay nắm.**

Để vận hành thử dụng cụ điện hãy nhấn khóa an toàn (2) và sau đó nhấn công tắc tắt/mở và nhấn giữ (1).

Để tắt máy, nhà công tắc Tắt/Mở (1) ra.

Hướng dẫn: Vì lý do an toàn, công tắc chuyển mạch Tắt/Mở (1) không thể khóa tự chạy được, mà phải giữ nhấn trong suốt quá trình vận hành.

Hướng Dẫn Sử Dụng

- ▶ Trước khi tiến hành bất cứ việc gì trên máy, kéo phích cắm điện nguồn ra.

Độ rộng cắt biến đổi tùy theo lưỡi cưa được dùng. Bảo vệ lưỡi cưa không bị va đập và dụng cụ chạm mạnh.

Đẩy máy đều tay và cho nạp tải vừa phải đi theo chiều cắt để duy trì chất lượng cắt tốt. Sự nạp tải quá mức làm giảm đáng kể tuổi thọ của dụng cụ cắt và có thể làm hư hỏng máy.

Hiệu suất cưa và chất lượng của sự cưa cắt tùy thuộc chủ yếu vào điều kiện, kiểu dáng răng của lưỡi cưa. Vì vậy, chỉ nên sử dụng các lưỡi cưa bên, thích hợp với loại vật liệu được gia công.

Cưa Gỗ

Sự lựa chọn đúng loại lưỡi cưa dựa trên loại và chất lượng gỗ và cách cắt theo yêu cầu, cắt theo chiều dọc hay chiều chéo góc.

Khi xẻ dọc gỗ cây vân sam, đảm bảo được tạo ra thường xoắn dài.

Bụi gỗ sỏi và bụi gỗ dè gai đặc biệt gây hại cho sức khỏe, do đó chỉ làm việc với thiết bị hút bụi.

Cưa với thanh cữ (xem hình C)

Thanh cữ (10) cho phép cắt chính xác dọc theo cạnh phôi gia công hoặc cắt các dải cùng kích thước.

Hãy nhà bu-lông tai hồng (7) và đẩy thước đo của thanh cữ (10) qua đường dẫn vào chân đế khuôn bao (12). Hãy đặt chiều rộng cắt mong muốn dưới dạng giá trị thang đo ở vạch cắt tương ứng (9) hoặc (8), xem phần „Các vạch cắt“. Hãy vận chặt lại bu-lông tai hồng (7).

Cưa với dưỡng phụ (xem hình D)

Để cưa vật gia công rộng bản hoặc có cạnh thẳng, dùng ván hay thanh nẹp kẹp vào vật gia công như là một dưỡng phụ; có thể đẩy chân đế của cưa đĩa tựa dọc theo dưỡng phụ.

Bảo Dưỡng và Bảo Quản

Bảo Dưỡng Và Làm Sạch

- ▶ Trước khi tiến hành bất cứ việc gì trên máy, kéo phích cắm điện nguồn ra.
- ▶ Để được an toàn và máy hoạt động đúng chức năng, luôn luôn giữ máy và các khe thông gió được sạch.

Nếu như cần phải thay dây dẫn điện thì công việc này phải do hãng **Bosch**, hay một đại lý được **Bosch** ủy nhiệm thực hiện để tránh gặp sự nguy hiểm do mất an toàn.

Chắn đàn hồi bảo vệ lưới phải luôn luôn có thể chuyển động tự do, co thắt tự động. Vì vậy, luôn luôn giữ cho phạm vi chung quanh chắn bảo vệ lưới đàn hồi được sạch. Làm sạch bụi và dăm bằng bàn chải.

Lưới cửa không được phủ ngoài, có thể bảo vệ được bằng cách dùng loại dầu nhờn không axit phủ một lớp mỏng chống gỉ sét lên. Phải lau sạch dầu nhờn lại trước khi sử dụng, nếu không, sẽ làm gỗ bị bẩn.

Cặn nhựa và keo dính trên lưới cửa tạo ra đường cắt có chất lượng tối. Vì vậy, làm sạch lưới cửa ngay sau mỗi lần sử dụng.

Dịch vụ hỗ trợ khách hàng và tư vấn sử dụng

Bộ phận phục vụ hàng sau khi bán của chúng tôi trả lời các câu hỏi liên quan đến việc bảo dưỡng và sửa chữa các sản phẩm cũng như phụ tùng thay thế của bạn. Sơ đồ mô tả và thông tin về phụ tùng thay thế cũng có thể tra cứu theo dưới đây:

www.bosch-pt.com

Đội ngũ tư vấn sử dụng của Bosch sẽ giúp bạn giải đáp các thắc mắc về sản phẩm và phụ kiện.

Trong tất cả các phản hồi và đơn đặt phụ tùng, xin vui lòng luôn luôn nhập số hàng hóa 10 chữ số theo nhãn của hàng hóa.

Việt Nam

CN CÔNG TY TNHH BOSCH VIỆT NAM TẠI TP.HCM

Tầng 14, Ngôi Nhà Đức, 33 Lê Duẩn
Phường Bến Nghé, Quận 1, Thành Phố Hồ Chí Minh

Tel.: (028) 6258 3690

Fax: (028) 6258 3692 - 6258 3694

Hotline: (028) 6250 8555

Email: tuvankhachhang-pt@vn.bosch.com

www.bosch-pt.com.vn

www.baohanhbosch-pt.com.vn

Xem thêm địa chỉ dịch vụ tại:

www.bosch-pt.com/serviceaddresses

Sự thải bỏ

Máy, linh kiện và bao bì phải được phân loại để tái chế theo hướng thân thiện với môi trường.



Không được thải bỏ dụng cụ điện vào chung với rác sinh hoạt!

مخصص للاستعمال الخارجي من خطر الصدمات الكهربائية.

◀ **إن لم يكن بالإمكان تجنب تشغيل العدة الكهربائية في الأجواء الرطبة، فاستخدم مفتاح للوقاية من التيار المتخلف.** إن استخدام مفتاح للوقاية من التيار المتخلف يقلل خطر الصدمات الكهربائية.

أمان الأشخاص

◀ **كن يقظا وانتبه إلى ما تفعله واستخدم العدة الكهربائية بتعقل.** لا تستخدم عدة كهربائية عندما تكون متعبا أو عندما تكون تحت تأثير المخدرات أو الكحول أو الأدوية. عدم الانتباه للحظة واحدة عند استخدام العدة الكهربائية قد يؤدي إلى إصابات خطيرة.

◀ **قم لارتداء تجهيزات الحماية الشخصية. وارتد دائما نظارات واقية.** يعد ارتداء تجهيزات الحماية الشخصية، كقناع الوقاية من الغبار وأحذية الأمان الواقية من الانزلاق والحدوث أو واقية الأذنين، حسب ظروف استعمال العدة الكهربائية، من خطر الإصابة بجروح.

◀ **تجنب التشغيل بشكل غير مقصود.** تأكد من كون العدة الكهربائية مطفأة قبل توصيلها بالتيار الكهربائي و/أو بالمركم، وقبل رفعها أو حملها. إن كنت تضع إصبعك على المفتاح أثناء حمل العدة الكهربائية أو إن وصلت الجهاز بالشبكة الكهربائية بينما لامفتاح على وضع التشغيل، قد يؤدي إلى وقوع الحوادث.

◀ **انزع أداة الضبط أو مفتاح الربط قبل تشغيل العدة الكهربائية.** قد تؤدي الأداة أو المفتاح المتواجد في جزء دوار من الجهاز إلى الإصابة بجروح.

◀ **تجنب أوضاع الجسم غير الطبيعية.** قف بأمان وحافظ على توازنك دائما. سيسمح لك ذلك بالتمكّن في الجهاز بشكل أفضل في المواقف الغير متوقعة.

◀ **قم بارتداء ثياب مناسبة.** لا ترتد الثياب الفضفاضة أو الحلي. احرص على إبقاء الشعر والملابس بعيدا عن الأجزاء المتحركة. قد تشابك الثياب الفضفاضة والحلي والشعر الطويل بالأجزاء المتحركة.

◀ **إن جاز تركيب تجهيزات شفت وتجميع الغبار، فتأكد من أنها موصولة وبأنه يتم استخدامها بشكل سليم.** قد يقلل استخدام تجهيزات لشفط الغبار من المخاطر الناتجة عن الغبار.

◀ **لا تستخدم العدة الكهربائية بلا مبالاة وتتجاهل قواعد الأمان الخاصة بها نتيجة لتعودك على استخدام العدة الكهربائية وكثرة استخدامها.** فقد يتسبب الاستعمال دون حرص في حدوث إصابة بالغة تحدث في أجزاء من الثانية.

حسن معاملة واستخدام العدد الكهربائية

◀ **لا تفرط بتحميل الجهاز. استخدم لتفنيذ أشغالك العدة الكهربائية المخصصة لذلك.** إنك تعمل بشكل أفضل وأكثر أماناً بواسطة العدة الكهربائية الملائمة في مجال الأداء المذكور.

◀ **لا تستخدم العدة الكهربائية إن كان مفتاح تشغيلها تالف.** العدة الكهربائية التي لم يعد من

عربي

إرشادات الأمان

الإرشادات العامة للأمان بالعدد الكهربائية

تحذير

اطلع على كافة تحذيرات الأمان والتعليمات والصور والمواصفات المرفقة بالعدة الكهربائية. عدم اتباع التعليمات الواردة أدناه قد يؤدي إلى حدوث صدمة كهربائية، إلى نشوب حريق و/أو الإصابة بجروح خطيرة.

احتفظ بجميع الملاحظات التحذيرية والتعليمات للمستقبل.

يقصد بمصطلح «العدة الكهربائية» المستخدم في الملاحظات التحذيرية، العدد الكهربائي الموصولة بالشبكة الكهربائية (بواسطة كابل الشبكة الكهربائية) وأيضا العدد الكهربائي المزودة بمركم (دون كابل الشبكة الكهربائية).

الأمان بمكان الشغل

◀ **حافظ على نظافة مكان شغلك وإضاءته بشكل جيد.** الفوضى في مكان الشغل ونطاقات العمل غير المضأة قد تؤدي إلى وقوع الحوادث.

◀ **لا تشغل بالعدة الكهربائية في نطاق معرض لخطر الانفجار مثل الأماكن التي تتوفر فيه السوائل أو الغازات أو الأبخرة القابلة للاشتعال.** العدد الكهربائي تولد شررا قد يتطاير، فيشعل الأبخرة والأبخرة.

◀ **حافظ على بقاء الأطفال وغيرهم من الأشخاص بعيدا عندما تستعمل العدة الكهربائية.** تشتيت الانتباه قد يتسبب في فقدان السيطرة على الجهاز.

الأمان الكهربائي

◀ **يجب أن يتلائم قابس العدة الكهربائية مع المقبس.** لا يجوز تغيير القابس بأي حال من الأحوال. لا تستعمل القوايس المهائية مع العدد الكهربائية المؤرّضة (ذات طرف أرضي). تخفّض القوايس التي لم يتم تغييرها والمقابس الملائمة من خطر الصدمات الكهربائية.

◀ **تجنب ملامسة جسمك للأسطح المؤرّضة كالأنابيب والمبردات والمواقد أو التلّاجات.** يزداد خطر الصدمات الكهربائية عندما يكون جسمك مؤرّض أو موصل بالأرضي.

◀ **أبعد العدة الكهربائية عن الأمطار أو الرطوبة.** يزداد خطر الصدمات الكهربائية إن تسرب الماء إلى داخل العدة الكهربائية.

◀ **لا تسيّ استعمال الكابل.** لا تستخدم الكابل في حمل العدة الكهربائية أو سحبها أو سحب القابس من المقبس. احرص على إبعاد الكابل عن الحرارة والزيت والحواف الحادة أو الأجزاء المتحركة. تزيد الكابلات التالفة أو المتشابكة من خطر الصدمات الكهربائية.

◀ **عند استخدام العدة الكهربائية خارج المنزل اقتصر على استخدام كابلات التمديد الصالحة للاستعمال الخارجي.** يقلل استعمال كابل تمديد

- ◀ لا تمسك أبداً بقطعة الشغل في يدك أو بين ساقيك أثناء عملية القطع. احرص على تثبيت قطعة الشغل على منصة عمل ثابتة. من المهم سند قطعة الشغل بشكل مناسب لتقليل تعرض الجسم للخطر أو إعاقة النصل أو فقدان السيطرة.
- ◀ أمسك العدة الكهربائية من أسطح المسك المعزولة، عند القيام بعمل قد يترتب عليه ملامسة أداة القطع لأسلاك كهربائية غير ظاهرة أو لسلك الكهرباء الخاص بالعدة نفسها. قد يتسبب لمس سلك «مكهرب» في مرور التيار في الأجزاء المعدنية من العدة وجعلها «مكهربة» مما قد يصيب المشغل بصدمة كهربائية.
- ◀ عند شق قطعة من الخشب استخدم دائماً حاجر متوازي أو دليل بحافة مستقيمة. يزيد ذلك من دقة القطع ويقلل احتمالية تعرض النصل للإعاقة.
- ◀ احرص دائماً على استخدام أنصال ذات شكل ومقاس صحيحين (ماسي مقابل مستدير) للتجاويف الوسطى. النصل غير المناسبة لأجزاء تركيب المنشار ستدور بشكل حائد عن المركز مما يتسبب في فقدان التحكم.
- ◀ لا تستخدم وردات نصل أو برغي تالف أو غير صحيح. تم تصميم وردات النصل والبرغي خصيصاً لمنشارك، للحصول على أفضل أداء وأمان أثناء العمل.

أسباب الصدمة الارتدادية والتحذيرات المتعلقة بها

- الصدمة الارتدادية هي رد فعل مفاجئ لتعثر نصل المنشار أو انمشاره أو محارزته بشكل خاطئ، مما يتسبب في فقدان السيطرة على المنشار وتحركه إلى أعلى بعيداً عن قطعة الشغل في اتجاه المشغل،
- في حالة تعثر النصل أو انمشاره بقوة عند نهاية الشق، يتوقف النصل ويوقف رد فعل الموتور الوحيدة بسرعة إلى الخلف في اتجاه المشغل،
- في حالة التواء النصل أو خطأ محارزته مع خط القطع فقد تدخل أسنان الحافة الخلفية للنصل في السطح العلوي للخشب مما يتسبب في خروج النصل من الشق وارتداده في اتجاه المشغل.
- تعتبر الصدمة الارتدادية نتيجة للاستخدام الخاطئ للمنشار و/أو لخطوات تشغيل غير صحيحة أو لظروف غير ملائمة، ويمكن تجنبها عن طريق أخذ الاحتياطات المناسبة المبينة أدناه.

- ◀ احرص دائماً على إحكام مسك المنشار بيدك الأيمن، وعلى وضعية أذرع تتبّع لك مقاومة القوى الارتدادية. قف على أحد جانبي النصل، ولا تقف في خط واحد معه. قد تتسبب الصدمة الارتدادية في اندفاع المنشار للخلف إلا أنه يمكن للمشغل السيطرة على القوى الارتدادية في حالة اتخاذه الاحتياطات المناسبة.
- ◀ في حالة تعرض النصل للإعاقة أو في حالة إيقافك لعملية القطع لأي سبب من الأسباب، اترك الزناد وقم بإيقاف المنشار داخل الخامة إلى أن يتوقف النصل تماماً. لا تحاول أبداً جذب المنشار من قطعة الشغل أو شده للخلف بينما النصل في حالة حركة أو معرض لصدمة ارتدادية. ابدأ عن السبب وقم بإجراءات تصحيحية لإزالة سبب تعرض النصل للإعاقة.

- الممكن التحكم بها عن طريق مفتاح التشغيل والإطفاء تعتبر خطيرة ويجب أن يتم إصلاحها.
- ◀ اسحب القابس من المقبس و/أو اخلع المركم، إذا كان قابلاً للخلع، قبل ضبط الجهاز وقبل استبدال الملحقات أو قبل تخزين الجهاز. تمنع هذه الإجراءات وقائية تشغيل العدة الكهربائية بشكل غير مقصود.
- ◀ احتفظ بالعدد الكهربائية التي لا يتم استخدامها بعيداً عن متناول الأطفال. لا تسمح باستخدام العدة الكهربائية لمن لا خبرة له بها أو لمن لم يقرأ تلك التعليمات. العدد الكهربائية خطيرة إن تم استخدامها من قبل أشخاص دون خبرة.
- ◀ اعتن بالعدد الكهربائية والملحقات بشكل جيد. تأكد أن أجزاء الجهاز المتحركة مركبة بشكل سليم وغير مستعصية عن الحركة، وتفحص ما إن كانت هناك أجزاء مكسورة أو في حالة تؤثر على سلامة أداء العدة الكهربائية. ينبغي إصلاح هذه الأجزاء التالفة قبل إعادة تشغيل الجهاز. الكثير من الموادث مصدرها العدد الكهربائية التي تتم صيانتها بشكل رديء.
- ◀ احرص على إبقاء عدد القطع نظيفة وحادة. إن عدد القطع ذات حواف القطع المادة التي تم صيانتها بعناية تتكلم بشكل أقل ويمكن توجيهها بشكل أيسر.
- ◀ استخدم العدد الكهربائية والتوابع وريش الشغل إلخ. وفقاً لهذه التعليمات. تراعى أثناء ذلك ظروف الشغل والعمل المراد تنفيذه. استخدام العدد الكهربائية لغير الأشغال المخصصة لأجلها قد يؤدي إلى حدوث الحالات الخطيرة.
- ◀ احرص على إبقاء المقابض وأسطح المسك جافة ونظيفة وخالية من الزيوت والشحوم. المقابض وأسطح المسك الزلقة لا تتبع التشغيل والتحكم الآمن في العدة في المواقف غير المتوقعة.

الخدمة

- ◀ احرص على إصلاح عدتك الكهربائية فقط بواسطة العمال المتخصصين وباستعمال قطع الغيار الأصلية فقط. يضمن ذلك المحافظة على أمان الجهاز.

إرشادات الأمان للمنشار الدائرية

خطوات القطع

- ⚠ خطر: أبعد يديك عن حيز القطع وعن النصل. ضع يدك الأخرى على المقبض الإضافي، أو علب الموتور. إذا كانت اليدين تمسكان بالمنشار فلن تتعرضا للإصابة من جراء النصل.
- ◀ لا تستمر في القطع حتى تصل إلى أسفل قطعة الشغل. لا يمكن لغطاء الوقاية أن يحميك من النصل أسفل قطعة الشغل.
- ◀ اضبط عمق القطع ليناسب سمك قطعة الشغل. ينبغي أن يظهر أقل من سن كامل من أسنان النصل أسفل قطعة الشغل.

- ◀ **إرشادات الأمان الإضافية**
- ◀ لا تدخل يدك في مقذف النشارة. فقد تتعرض للإصابة من جراء الأجزاء الدوارة.
- ◀ لا تعمل بالمنشار فوق مستوى الرأس. فعندئذ لا يُتاح لك السيطرة الكافية على العدة الكهربائية.
- ◀ استخدم أجهزة تنقيب ملائمة للثور على خطوط الامداد غير الظاهرة، أو استعن بشركة الامداد المحلية. ملازمة الخطوط الكهربائية قد تؤدي إلى اندلاع النار وإلى الصدمات الكهربائية. حدوث أضرار بخط الغاز قد يؤدي إلى حدوث انفجارات. اختراق خط الماء يشكل الأضرار المادية أو قد يؤدي إلى الصدمات الكهربائية.
- ◀ أمسك العدة الكهربائية جيداً بكلتا يديك عند العمل، واحرص على أن تكون في وضعية ثابتة. يتم توجيه العدة الكهربائية بأمان بواسطة اليدين الأيمنتين.
- ◀ لا تقم بتشغيل العدة الكهربائية من وضع ثابت. فهي ليست مصممة للتشغيل على قاعدة المنشار.
- ◀ احرص أثناء «القطع الغاطس»، الذي يتم بزواوية غير قائمة، على تأمين اللوح الدليلي للمنشار ضد التحرك الجانبي. فقد يؤدي التحرك الجانبي إلى انحصار شفرة المنشار وبالتالي حدوث ارتداد.
- ◀ احرص على تأمين قطعة الشغل. قطعة الشغل المثبتة بواسطة تجهيزه شدّ أو بواسطة الملزمة مثبتة بأمان أكبر مما لو تم الإمساك بها بواسطة يدك.
- ◀ انتظر إلى أن تتوقف العدة الكهربائية عن الحركة قبل أن تضعها جانباً. قد تتكلم عدة الشغل فتؤدي إلى فقدان السيطرة على العدة الكهربائية.
- ◀ لا تستخدم نصال المنشار المصنوعة من الفولاذ HSS. فتصالح المنشار هذه قد تنكسر بسهولة.
- ◀ لا تقم بنشر خامات حديدية. فقد تتسبب النشارة المتوهجة في إشعال الأتربة المشفوفة.
- ◀ قم بارتداء قناع للوقاية من الغبار.

وصف المنتج والأداء

- ◀ اقرأ جميع إرشادات الأمان والتعليمات. ارتكاب الأخطاء عند تطبيق إرشادات الأمان والتعليمات، قد يؤدي إلى حدوث صدمات كهربائية أو إلى نشوب الحرائق و/أو الإصابة بجروح خطيرة.
- ◀ يرجى الرجوع إلى الصور الموجودة في الجزء الأول من دليل التشغيل.



الاستعمال المخصص

العدة الكهربائية مخصصة لتنفيذ القطوع الطولية والعرضية بالأسناد الثابت وبمسار مستقيم ومائل بالخشب.

- ◀ في حالة إعادة تشغيل المنشار داخل قطعة العمل احرص على مركزة النصل في الشق بحيث تكون أسنان المنشار غير متشابكة مع الخامة. في حالة تعرض النصل للإعاقة فقد يتحرك لأعلى أو يسبب صدمة ارتدادية من قطعة الشغل عند إعادة تشغيل النصل.
- ◀ احرص على سند الألواح الكبيرة لتقليل مخاطر تعثر النصل أو الصدمة الارتدادية. تميل الألواح الكبيرة للهبوط نتيجة لوزنها الكبير. يجب وضع سنادات تمت اللوح على الجانبين بالقرب من خط القطع وبالقرب من حافة اللوح.
- ◀ لا تستخدم أنصال ثالفة أو ثقيلة الحركة. الأنصال غير الحادة والمضبوطة بشكل غير صحيح تتسبب في شقوق ضيقة مما يسبب احتكاك إضافي، وبالتالي تعرض النصل للإعاقة والصدمة الارتدادية.
- ◀ يجب أن تكون أذرع تأمين ضبط عمق النصل وميل القطع مشدودة بثبات قبل القيام بالقطع. في حالة تحرك ضابط النصل أثناء القطع فقد يتسبب في إعاقة أو صدمة ارتدادية.
- ◀ تصرف بحرص شديد عند استخدام المنشار في الجدران أو المناطق البارز التي يتعدز رؤيتها. فقد يقوم النصل البارز بقطع أجسام تتسبب في حدوث صدمة ارتدادية.

وظيفة غطاء الوقاية السفلي

- ◀ افحص غطاء الوقاية السفلي قبل كل استخدام من حيث الغلق بشكل سليم. لا تقم بتشغيل المنشار إذا لم يكن غطاء الوقاية السفلي حر الحركة ويمكن غلقه على الفور. لا تقم أبداً بقمط أو ربط غطاء الوقاية السفلي في وضع الفتح. في حالة سقوط المنشار فقد يتعرض غطاء الوقاية السفلي للانشاء. ارفع غطاء الوقاية السفلي باستخدام المقبض القابل للإدخال وتأكد أنه حر الحركة ولا يلامس النصل أو أي جزء آخر في كافة زوايا وأعماق القطع.
- ◀ افحص عمل نابض غطاء الوقاية السفلي. إذا كان غطاء الوقاية والنابض لا يعملان بشكل مناسب، يجب إجراء أعمال الخدمة عليهم قبل الاستخدام. قد يعمل غطاء الوقاية السفلي ببطء نتيجة لوجود أجزاء ثالفة أو رواسب ملتصقة أو لتراكم الشوائب.
- ◀ يمكن إدخال غطاء الوقاية السفلي يدوياً مع بعض أنواع القطع الخاصة مثل «القطوع الغاطسة» و«القطوع المدمجة». ارفع غطاء الوقاية السفلي عن طريق سحب المقبض، وبمجرد وصول النصل إلى الخامة، يجب ترك غطاء الحماية السفلي. بالنسبة لجميع أعمال القطع الأخرى يجب أن يعمل غطاء الوقاية السفلي بشكل أوتوماتيكي.
- ◀ تأكد أن غطاء الوقاية السفلي يغطي النصل قبل وضع المنشار لأسفل على الطاولة أو على الأرضية. النصل المستمر في الدوران غير المغطى قد يتسبب في تحرك المنشار للخلف ليقطع أي شيء في طريقه. انتبه للوقت الذي يستغرقه النصل حتى يتوقف بعد ترك المفتاح.

منشار دائري يدوي | GKS 130

20	مم	ثقب الحوض
3,9	كجم	الوزن حسب EPTA-Procedure 01:2014
II / □		فئة الحماية

تسري البيانات على جهد اسمي [U] يبلغ 230 فولت. قد تختلف تلك البيانات حسب اختلاف الجهد والطرزات الخاصة بكل دولة.

التركيب

◀ استخدم فقط نصال المنشار التي تزيد سرعتها القصوى المسموحة عن عدد الدوران اللاحملي بالعدة الكهربائية.

تركيب/استبدال نصل المنشار الدائري

◀ اسحب القابس من مقبس الشبكة الكهربائية قبل إجراء أي عمل على العدة الكهربائية.

◀ ارتد قفازات واقية عند تركيب نصل المنشار. يؤدي ملامسة نصل المنشار إلى تشكل خطر الإصابة بجروح.

◀ لا تستخدم أقراص التخليل كعدد شغل أبدا.

فك شفرة المنشار (انظر الصورة A)

يفضل وضع العدة الكهربائية على الجهة الجبهة لهيكل المحرك من أجل استبدال العدد.

- اضغط على زر تثبيت محور الدوران (4) واحتفظ به مضغوطا.

◀ اضغط زر تثبيت محور الدوران (4) فقط عندما يكون محور دوران المنشار متوقفا عن الحركة. وإلا، فقد تتعرض العدة الكهربائية للضرر.

- باستخدام مفتاح سداسي الرأس المجوف (17) أدر لولب الشد (18) في اتجاه الدوران ① لفكه.

- اقلب غطاء الوقاية المتأرجح (11) إلى الخلف وأمسك به بإحكام.

- أخلع فلانشة الشد (19) وشفرة المنشار (20) من بريمة المنشار مع فلانشة التثبيت (21).

اختيار نصل المنشار

تجد في نهاية هذا الدليل عرضا عاما لأنصال المنشار الموصى بها.

تركيب شفرة المنشار (انظر الصورة A)

يفضل وضع العدة الكهربائية على مقدمة هيكل المحرك من أجل استبدال العدد.

- نظف شفرة المنشار (20) وجميع قطع الشد المطلوب تركيبها.

- اقلب غطاء الوقاية المتأرجح (11) إلى الخلف وأمسك به بإحكام.

- قم بتركيب شفرة المنشار (20) على بريمة المنشار مع فلانشة التثبيت (21). يجب أن يتطابق اتجاه قص الأسنان (اتجاه السهم على نصل المنشار) مع سهم اتجاه الدوران على الغطاء الواقي (15).

- قم بتركيب فلانشة التثبيت (19) وقم بربط لولب الشد (18) في اتجاه الدوران ②. احرص على وضع التثبيت الصحيح لبريمة المنشار مع فلانشة التثبيت (21) وفلانشة الشد (19).

الأجزاء المصورة

يشير ترقيم الأجزاء المصورة إلى الصورة المعروضة للعدة الكهربائية في صفحة الرسوم.

- (1) مفتاح التشغيل والإطفاء
 - (2) قفل تشغيل مفتاح التشغيل والإطفاء
 - (3) مقبض إضافي (سطح قبض معزول)^(a)
 - (4) زر تثبيت محور الدوران
 - (5) مقياس زوايا الشطب المائلة
 - (6) لولب مجنح لاختيار زاوية الشطب مسبقاً
 - (7) لولب مجنح لمصد التوازي
 - (8) علامة القطع 45°
 - (9) علامة القطع 0°
 - (10) مصد التوازي
 - (11) غطاء وقاية متأرجح
 - (12) صفيحة القاعدة
 - (13) ذراع ضبط غطاء الوقاية المتأرجح
 - (14) مقذف النشارة
 - (15) غطاء الوقاية
 - (16) مقبض (سطح قبض معزول)
 - (17) مفتاح سداسي الرأس المجوف^(a)
 - (18) لولب شد مع فلكة
 - (19) شفة الشد
 - (20) شفرة المنشار الدائري^(a)
 - (21) محور دوران المنشار مع فلانشة تثبيت
 - (22) ذراع شد لضبط عمق القطع مسبقاً
 - (23) مقياس عمق القطع
 - (24) زوج ملازم^(b)
 - (25) مهايئ شفت^(a)
- (a) لا يتضمن إطار التوريد الاعتيادي للتوابع المصورة أو المشروحة. تجد التوابع الكاملة في برنامجنا للتوابع.
- (b) متداولة (غير مرفقة بإطار التوريد)

البيانات الفنية

منشار دائري يدوي GKS 130		رقم الصنف
3 601 FC3 0..		
1300	واط	قدرة الدخل الاسمية
5800	لفة / دقيقة	عدد اللفات اللاحملي
أقصى عمق قطع مع نصل منشار بسلك 184 مم		
64	مم	- مع زاوية شطب مائلة 0°
45	مم	- مع زاوية شطب مائلة 45°
قفل محور الدوران		
290 x 150	مم	أبعاد صفيحة القاعدة
184	مم	أقصى قطر لشفرة المنشار
184	مم	أدنى قطر لشفرة المنشار
2,0	مم	سلك الشفرة الفولاذية الأقصى

طرق التشغيل

ضبط عمق القطع (انظر الصورة B)

◀ **قم بمواءمة عمق القطع مع سمك قطعة الشغل.** ينبغي أن يقل ما يمكن رؤيته تحت قطعة الشغل عن ارتفاع السن الكامل.

قم بفك ذراع الشد (22). بالنسبة لأعماق القطع الصغيرة إخلع المنشار من صفيحة القاعدة (12) بالنسبة لأعماق القطع الكبيرة، اضغط المنشار في اتجاه صفيحة القاعدة (12). اضبط المقاس المرغوب في مقياس عمق القطع. أحكم ربط ذراع الشد (22) مرة أخرى.

بعد حل ذراع الشد (22) إن لم تتمكن من تعديل عمق القطع بشكل كامل (22) فاسحب ذراع الشد عن المنشار وحركها للأسفل. اترك ذراع الشد (22) مرة أخرى. كرر العملية السابقة إلى أن يتم ضبط عمق القطع المرغوب.

بعد إحكام ربط ذراع الشد (22) إن لم تتمكن من تثبيت عمق القطع بشكل كاف فاسحب ذراع الشد (22) عن المنشار وحركها للأعلى. اترك ذراع الشد (22) مرة أخرى. كرر العملية السابقة إلى أن يتم تثبيت عمق القطع

ضبط زوايا الشطب المائلة

بفضل وضع العدة الكهربائية على جهة غطاء الوقاية الجيئة (15).

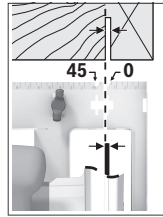
قم بفك اللولب المجنح (6). اقلب المنشار إلى الجانب. اضبط المقاس المرغوب في التدرج (5). أعد ربط اللولب المجنح (6) بإحكام.

إرشاد: عند إجراء قطوع الشطب المائلة يكون عمق القطع أصغر من القيمة المشار إليها على مقياس عمق القطع (23).

علامات القطع

وتبين علامة القطع °0 (9) وضع نصل المنشار في حالة القطع بزواوية قائمة. وتبين علامة القطع °45 (8) وضع نصل المنشار في حالة القطع بزواوية °45.

ركز المنشار الدائري على قطعة الشغل كما يظهر ذلك في الصورة، من أجل الحصول على خط قطع دقيق. يفضل إجراء نشر تجريبي.



بدء التشغيل

◀ **يراعى جهد الشبكة الكهربائية! يجب أن يتطابق جهد منبع التيار مع المعلومات المذكورة على لافتة طراز العدة الكهربائية.** يمكن أن يتم تشغيل العدد الكهربائية الممیزة بعلامة 230 فلت في مقبس 220 فلت أيضًا.

التشغيل والإطفاء

◀ **تأكد أنه بإمكانك الضغط على زر التشغيل/الإيقاف دون ترك المقبض اليدوي.**

لغرض تشغيل العدة الكهربائية، اضغط أولاً على قفل التشغيل (2) واضغط بعدها على مفتاح التشغيل والإطفاء (1) واحتفظ به مضغوطاً.

– اضغط على زر تثبيت محور الدوران (4) واحتفظ به مضغوطاً.

– باستخدام مفتاح سداسي الرأس المجوف (17) اربط لولب الشد (18) في اتجاه الدوران 0. ينبغي أن يبلغ عزم الربط 6-9 نيوتن متر، وهذا يماثل إحكام الربط اليدوي بالإضافة إلى ¼ لفة.

شفط الغبار/النشارة

إن غبار بعض المواد كالطلاء الذي يحتوي على الرصاص، وبعض أنواع الخشب والفلزات والمعادن، قد تكون مضرّة بالصحة. إن ملامسة أو استنشاق غبار قد يؤدي إلى أعراض حساسية و/أو إلى أمراض الجهاز التنفسي لدى المستخدم أو لدى الأشخاص المتواجدين على مقربة من المكان. تعتبر بعض الأغبرة المعينة، كأغبرة البلوط والزان، مسببة للسرطان، ولا سيما عند الارتباط بالمواد الإضافية لمعالجة الخشب (ملع جامض الكروميك، المواد الحافظة للخشب). يجوز أن يتم معالجة المواد التي تحتوي على الأستبتوس من قبل العمال المتخصصين فقط دون غيرهم.

– استخدم شافطة غبار ملائمة للمادة قدر الإمكان.

– حافظ على تهوية مكان الشغل بشكل جيد.

– ينصح بارتداء قناع وقاية للتنفس بفتة المرشح P2.

– تراعى الأحكام السارية في بلدكم بالنسبة للمواد المرغوب معالجتها.

◀ **تجنب تراكم الغبار بمكان العمل.** يجوز أن تشتعل الأغبرة بسهولة.

تركيب مهائى (انظر الصورة E)

أدخل مهائى الشفط (25) في مقذف النشارة (14) إلى أن يثبت.

يمكن توصيل مهائى الشفط (25) بخرطوم شفط يبلغ قطره 35 مم.

◀ **لا يجوز تركيب مهائى الشفط إن لم يتم توصيل شافطة خارجية.** وإلا فقد تنسد قناة الشفط.

◀ **لا يجوز توصيل كيس الغبار بمهائى الشفط.** وإلا فقد يتعرض نظام الشفط للانسداد.

ينبغي تنظيف مهائى الشفط (25) بشكل منتظم لتأمين عملية شفط مثالية.

الشفط الخارجي

قم بتوصيل خرطوم الشفط بشفاط الغبار (ملحق تكميلي). تجد في نهاية هذا الدليل عرضاً عاماً للتوصيل بشفاطات الغبار المختلفة.

يمكن توصيل العدة الكهربائية مباشرة بمقبس شافطة بوش الخوائية المتعددة الاستعمال المزودة بتجهيز التشغيل عن بعد. ويتم تشغيلها بشكل آلي عند تشغيل العدة الكهربائية.

يجب أن تصلح شافطة الغبار الخوائية للاستعمال مع مادة الشغل المرغوب معالجتها.

استخدم شافطة غبار خوائية خاصة عند شفط الأغبرة المضرّة بالصحة أو المسببة للسرطان أو الشديدة الجفاف.

التشغيل

◀ **اسحب القابس من مقبس الشبكة الكهربائية قبل إجراء أي عمل على العدة الكهربائية.**

يجب أن يكون غطاء الوقاية المترجع قابلاً للبركة بطلاقة ولإغلاق من تلقاء نفسه دائماً. حافظ لأجل ذلك دائماً على نظافة النطاق الموجود حول غطاء الوقاية المتأرجح. قم بإزالة الغبار والشارية باستخدام فرشاة.

أنصال المنشار غير المطلية يمكن حمايتها من التآكل عن طريق طبقة رقيقة من الزيت غير المحتوي على أحماض. امسح الزيت قبل البدء بالشغل وإلا فقد يتسخ الخشب بالبقع.

إن بقايا الزاتنج والغراء على نصال المنشار تؤدي إلى القطوع الرديئة، لذلك ينبغي تنظيف نصل المنشار فوراً بعد الاستعمال.

خدمة العملاء واستشارات الاستخدام

يجيب مركز خدمة العملاء على الأسئلة المتعلقة بإصلاح المنتج وصيانته، بالإضافة لقطع الغيار. تجد الرسوم التفصيلية والمعلومات الخاصة بقطع الغيار في الموقع: www.bosch-pt.com

يسر فريق Bosch لاستشارات الاستخدام مساعدتك إذا كان لديك أي استفسارات بخصوص منتجاتنا وملحقاتها.

يلزم ذكر رقم الصنف ذو الفئات العشر وفقاً للوحة صنع المنتج عند إرسال أية استفسارات أو طلبيات قطع غيار.

المغرب

Robert Bosch Morocco SARL

53 شارع الملازم محمد محروود

20300 الدار البيضاء

الهاتف: 27 43 31 29 5 212+

البريد الإلكتروني: sav.outillage@ma.bosch.com

تجد المزيد من عناوين الخدمة تحت:

www.bosch-pt.com/serviceaddresses

التخلص من العدة الكهربائية

ينبغي تسليم العدد الكهربائية والتوابع والعبوة إلى مركز معالجة النفايات بطريقة محافظة على البيئة. لا ترم العدد الكهربائية ضمن النفايات المنزلية.



لغرض إيقاف العدة الكهربائية اترك مفتاح التشغيل والإيقاف (1).

ملحوظة لا يمكن تثبيت مفتاح التشغيل والإطفاء (1) لأسباب متعلقة بالأمان، بل يجب أن يتم ضغطه طوال فترة التشغيل.

إرشادات العمل

← اسحب القابس من مقبس الشبكة الكهربائية قبل إجراء أي عمل على العدة الكهربائية.

يختلف عرض القطع حسب شفرة المنشار. ينبغي وقاية نصال المنشار من الصدمات والطرق. وجه العدة الكهربائية بدفع خفيف وبانتظام باتجاه القطع، وذلك للوصول إلى جودة قطع. يقلل الدفع الأمامي الشديد من فترة صلاحية عدد الشغل كثيراً وقد يضر العدة الكهربائية.

تتعلق قدرة النشر وجودة القطع بشكل كبير بحالة وبشكل أسنان نصل المنشار، لذلك ينبغي استخدام نصال المنشار الحادة والملائمة للمادة المرغوب معالجتها فقط.

نشر الخشب

يتعلق اختيار نصل المنشار الملائم بنوع الخشب وبجودة الخشب وإن كان من المطلوب إجراء القطوع الطولية أو العرضية.

في عمليات القطع الطولي في خشب الصنوبر تنشأ شارة طويلة ولولبية الشكل.

إن أغبرة الزان والبلوط شديدة الضرر بالصحة، لذلك ينبغي العمل فقط بالاتصال مع شافطة للأغبرة.

النشر مع مصد التوازي (انظر الصورة C)

يسمح مصد التوازي (10) بإجراء القطوع الدقيقة على مساحقة قطعة الشغل أو بقطع الخطوط المتساوية.

قم بحل اللولب الممنع (7) قم بتحريك تدريع مصد التوازي (10) عبر المسار الدليلي في صفحة القاعدة (12). أضبط عرض القص المرغوب كقيمة قياسية على علامة القطع (9) أو (8)، راجع الفقرة «تعليم المقاطع». اربط اللولب الممنع (7) مرة أخرى بإحكام.

النشر مع مصد مساعد (انظر الصورة D)

من أجل قص قطع الشغل الكبيرة أو لقص الحواف المستقيمة يمكنك أن تثبت لوح خشبي أو عارضة كمصد مساعد على قطعة الشغل، لتوجه المنشار الدائري بواسطة صفحة القاعدة على مسار المصد المساعد.

الصيانة والخدمة

الصيانة والتنظيف

← اسحب القابس من مقبس الشبكة الكهربائية قبل إجراء أي عمل على العدة الكهربائية.

← للعمل بشكل جيد وأمن حافظ دائماً على نظافة العدة الكهربائية وفتحات التهوية.

إذا تطلب الأمر استبدال خط الإمداد، فينبغي أن يتم ذلك من قبل شركة Bosch أو من قبل مركز خدمة الزبائن المعتمد لشركة Bosch للعدد الكهربائية، لتجنب التعرض للمخاطر.

مناسب برای محیط باز، خطر برق گرفتگی را کم می کنند.

◀ در صورت لزوم کار با ابزار برقی در محیط و اماکن مرطوب، باید از یک کلید حفاظتی جریان خطا و نشستی زمین (کلید قطع کننده اتصال با زمین) استفاده کنید. استفاده از کلید حفاظتی جریان خطا و نشستی زمین خطر برق گرفتگی را کاهش می دهد.

رعایت ایمنی اشخاص

◀ حواس خود را خوب جمع کنید، به کار خود دقت کنید و با فکر و هوشیاری کامل با ابزار برقی کار کنید. در صورت خستگی و یا در صورتی که مواد مخدر، الکل و دارو استفاده کرده‌اید، با ابزار برقی کار نکنید. یک لحظه بی توجهی هنگام کار با ابزار برقی، میتواند جراثم های شدیدی به همراه داشته باشد.

◀ از تجهیزات ایمنی شخصی استفاده کنید. همواره از عینک ایمنی استفاده نمایید. استفاده از تجهیزات ایمنی مانند ماسک ضد گرد و غبار، کفشهای ایمنی ضد لغزش، کلاه ایمنی و گوشی محافظ متناسب با نوع کار با ابزار برقی، خطر مجروح شدن را کاهش میدهد.

◀ مواظب باشید که ابزار برقی بطور ناخواسته بکار نیفتد. قبل از وارد کردن دوشاخه دستگاه در پریز برق، اتصال آن به باتری، برداشتن آن و یا حمل دستگاه، باید دقت کنید که ابزار برقی خاموش باشد. در صورتی که هنگام حمل دستگاه انگشت شما روی دکمه قطع و وصل باشد و یا دستگاه را در حالت روشن به برق بزنید، ممکن است سوانح کاری پیش آید.

◀ قبل از روشن کردن ابزار برقی، همه ابزارهای تنظیم کننده و آپارها را از روی دستگاه بردارید. ابزار و آپارهایی که روی بخش های چرخنده دستگاه قرار دارند، میتوانند باعث ایجاد جراثم شوند.

◀ وضعیت بدن شما باید در حالت عادی قرار داشته باشد. برای کار جای مطمئنی برای خود انتخاب کرده و تعادل خود را همواره حفظ کنید. به این ترتیب میتوانید ابزار برقی را در وضعیتهای غیر منتظره بهتر تحت کنترل داشته باشید.

◀ لباس مناسب بپوشید. از پوشیدن لباسهای گشاد و حمل زینت آلات خودداری کنید. موها و لباس خود را از بخشهای در حال چرخش دستگاه دور نگه دارید. لباسهای گشاد، موی بلند و زینت آلات ممکن است در قسمتهای در حال چرخش دستگاه گیر کنند.

◀ در صورتی که تجهیزاتی برای اتصال وسائل مکش گرد و غبار و یا وسیله جمع کننده گرد و غبار ارائه شده است، باید مطمئن شوید که این وسائل درست نصب و استفاده می شوند. استفاده از وسائل مکش گرد و غبار مصونیت شما را در برابر گرد و غبار زیاده تر میکند.

◀ آشنایی با ابزار به دلیل کار کردن زیاد با آن نباید باعث سهل انگاری شما و نادیده گرفتن اصول ایمنی شود. بی دقتی ممکن است باعث بروز جراحاتی در عرض کسری از ثانیه شود.

فارسی

دستورات ایمنی

نکات ایمنی عمومی برای ابزارهای برقی

⚠ هشدار کلیه هشدارها، دستورالعملها، تصاویر و

مشخصات ارائه شده به همراه ابزار برقی را مطالعه کنید. اشتباهات ناشی از عدم رعایت این دستورات ایمنی ممکن است باعث برق گرفتگی، سوختگی و یا سایر جراثم های شدید شود.

کلیه هشدارهای ایمنی و راهنماییها را برای آینده خوب نگهداری کنید.

عبارت «ابزار برقی» در هشدارها به ابزارهایی که به پریز برق متصل میشوند (با سیم برق) و یا ابزارهای برقی باتری دار (بدون سیم برق) اشاره دارد.

ایمنی محل کار

◀ محیط کار را تمیز و روشن نگه دارید. محیطهای در هم ریخته یا تاریک احتمال بروز حادثه را افزایش میدهند.

◀ ابزار برقی را در محیطهایی که خطر انفجار وجود دارد و حاوی مایعات، گازها و بخارهای متحرکه هستند، به کار نگیرید. ابزارهای برقی چرخههایی ایجاد میکنند که میتوانند باعث آتش گرفتن گرد و غبارهای موجود در هوا شوند.

◀ هنگام کار با ابزار برقی، کودکان و سایر افراد را از دستگاه دور نگه دارید. در صورتیکه حواس شما پرت شود، ممکن است کنترل دستگاه از دست شما خارج شود.

ایمنی الکتریکی

◀ دوشاخه ابزار برقی باید با پریز برق تناسب داشته باشد. هیچگونه تغییری در دوشاخه ایجاد نکنید. مبدل دوشاخه نباید همراه با ابزار برقی دارای اتصال زمین استفاده شود. دوشاخههای اصل و تغییر داده نشده و پریزهای مناسب، خطر برق گرفتگی را کاهش میدهند.

◀ از تماس بدنی با قطعات متصل به سیم اتصال زمین مانند لوله، شوفاژ، اجاق برقی و یخچال خودداری کنید. در صورت تماس بدنی با سطوح و قطعات دارای اتصال به زمین و همچنین تماس شما با زمین، خطر برق گرفتگی افزایش می یابد.

◀ ابزارهای برقی را در معرض باران و رطوبت قرار ندهید. نفوذ آب به ابزار برقی، خطر شوک الکتریکی را افزایش میدهد.

◀ از سیم دستگاه برای مقاصد دیگر استفاده نکنید. هرگز برای حمل ابزار برقی، کشیدن آن یا خارج کردن دوشاخه از سیم دستگاه استفاده نکنید. کابل دستگاه را از حرارت، روغن، لیبهای تیز یا قطعات متحرک دور نگه دارید. کابلهای آسیب دیده و یا گره خورده خطر شوک الکتریکی را افزایش میدهند.

◀ هنگام استفاده از ابزار برقی در محیطهای باز، تنها از کابل رابطی استفاده کنید که برای محیط باز نیز مناسب باشد. کابل های رابط

◀ **هرگز زیر قطعه کار را نگیرید.** قاب محافظ قادر به محافظت شما از آسیب دزدگی توسط تیغه اره در ناحیه زیر قطعه کار نمیباشد.

◀ **میزان عمق برش را با ضخامت قطعه کار متناسب و تنظیم کنید.** کمتر از ارتفاع یک دندانه کامل تیغه اره باید از زیر قطعه کار قابل رؤیت باشد.

◀ **هرگز قطعه کار را هنگام برش در دستها یا روی پای خود نگه ندارید.** قطعه کار را به وسیله یک قرارگاه و یا سکوی محکم، تثبیت کنید. مهم است که قطعه کار به خوبی مهار شده باشد تا خطر تماس بدنی، گیر کردن تیغه اره و یا از دست دادن کنترل کاهش یابد.

◀ **در صورت انجام کارهایی که امکان برخورد با کابل‌های حامل جریان برق مخفی وجود دارد، ابزار برقی را از دسته عایق بگیرید.** در صورت برخورد با یک کابل حامل "جریان برق" ممکن است قسمتهای فلزی ابزار برقی حامل "جریان برق" شوند و باعث برق گرفتگی کاربر گردند.

◀ **هنگام برش همواره از یک راهنمای برش و یا راهنمای برش مستقیم برای کنارها استفاده کنید.** این کار باعث افزایش دقت میشود و احتمال شکستن تیغه را کاهش میدهد.

◀ **همواره از تیغه‌های دارای اندازه و سوراخ نگهدارنده مناسب (مثلا شکل گرد یا لوزی) استفاده کنید.** تیغه‌های که با قطعه‌های مونتاژ اره متناسب نباشند، به صورت غیر مدور حرکت میکنند و باعث از دست دادن کنترل میشوند.

◀ **هرگز از پیچ یا واشر آسیب دیده یا نامناسب استفاده نکنید.** واشرها و پیچهای مخصوص تیغه اره، برای دستیابی به عملکرد بهینه و ایمنی عملیات ساخته شده‌اند.

پس زدن دستگاه و هشدارهای ایمنی

- پس زدن نتیجه واکنش ناگهانی تیغه اره بلوکه شده، گیر کرده یا اشتباه هدایت شده است که باعث بلند شدن تیغه اره از قطعه کار و حرکت آن به سمت کاربر میشود؛

- چنانچه تیغه اره در شیار در حال بسته شدن تیغه اره گیر کند یا بلوکه شود، از کار میافتد و نیروی موتور، اره را به سمت کاربر پرت میکند؛

- در صورتیکه تیغه اره در محل برش بچرخد یا اشتباه هدایت شود، امکان گیر کردن دندانه‌های لبه عقبی تیغه اره در سطح قطعه کار وجود دارد که در این صورت تیغه اره از شیار بیرون میرود و به سمت کاربر پرت میشود.

پس زدن نتیجه استفاده نادرست از تیغه اره و/یا روشها یا شرایط کاری غیر صحیح است و با رعایت اقدامات ایمنی مناسب به شرح زیر میتوان از آن جلوگیری بعمل آورد.

◀ **اره را با هر دو دست محکم بگیرید و بازوهای خود را در حالتی قرار دهید که قادر به کنترل نیروی پس زننده دستگاه باشید.** همواره با دستگاه به نحوی کار کنید که بدن شما با تیغه اره در یک مسیر قرار نگیرد، بلکه در سطح جانبی، کنار تیغه اره قرار داشته باشد. پس زدن باعث جهش تیغه اره به عقب میشود، اما

استفاده صحیح از ابزار برقی و مراقبت از آن

◀ **از وارد کردن فشار زیاد روی دستگاه خودداری کنید.** برای هر کاری، از ابزار برقی مناسب با آن استفاده کنید. بکار گرفتن ابزار برقی مناسب باعث میشود که بتوانید از توان دستگاه بهتر و با اطمینان بیشتر استفاده کنید.

◀ **در صورت ایراد در کلید قطع و وصل ابزار برقی، از دستگاه استفاده نکنید.** ابزار برقی که نمی توان آنها را قطع و وصل کرد، خطرناک بوده و باید تعمیر شوند.

◀ **قبل از تنظیم ابزار برقی، تعویض متعلقات و یا کنار گذاشتن آن، دوشاخه را از برق بکشید و یا باتری آنرا خارج کنید.** رعایت این اقدامات پیشگیری ایمنی از راه افتادن ناخواسته ابزار برقی جلوگیری می کند.

◀ **ابزار برقی را در صورت عدم استفاده، از دسترس کودکان دور نگه دارید و اجازة ندهید که افراد ناوارد و یا اشخاصی که این دفترچه راهنما را نخوانده‌اند، با این دستگاه کار کنند.** قرار گرفتن ابزار برقی در دست افراد ناوارد و بی تجربه خطرناک است.

◀ **از ابزار برقی و متعلقات خوب مراقبت کنید.** مواظب باشید که قسمت های متحرک دستگاه خوب کار کرده و گیر نکنند. همچنین دقت کنید که قطعات ابزار برقی شکسته و یا آسیب دیده نباشند. قطعات آسیب دیده را قبل از شروع به کار تعمیر کنید. علت بسیاری از سوانح کاری، عدم مراقبت کامل از ابزارهای برقی می باشد.

◀ **ابزار برش را تیز و تمیز نگه دارید.** ابزار برشی که خوب مراقبت شده و از لبه های تیز برخوردار است، کمتر در قطعه کار گیر کرده و بهتر قابل هدایت است.

◀ **ابزار برقی، متعلقات، متنهاي دستگاه و غيره را مطابق دستورات این جزوه راهنما به کار گیرید و به شرایط کاری و نوع کار نیز توجه داشته باشید.** استفاده از ابزار برقی برای عملیاتی به جز مقاصد در نظر گرفته شده، میتواند به بروز شرایط خطرناک منجر شود.

◀ **دستها و سطوح عایق را همواره خشک، تمیز و عاری از روغن و گریس نگه دارید.** دسته های لغزنده مانع ایمنی و کنترل در کار در شرایط غیر منتظره هستند.

سرویس

◀ **برای تعمیر ابزار برقی فقط به متخصصین حرفهای رجوع کنید و از قطعات یدکی اصل استفاده نمایید.** این باعث خواهد شد که ایمنی دستگاه شما تضمین گردد.

دستورات ایمنی برای اره‌های گردبر

فرایندهای برش

◀ **دستهای خود را از محدوده برش و تیغه اره دور نگه دارید.** با دست دیگر خود دسته کمکی و یا بدنه موتور را بگیرید. چنانچه با هر دو دست خود دستگاه اره را بگیرید، دستهای شما به وسیله تیغه اره آسیب نمیبینند.

خاک اره باعث کندي در عملکرد حفاظ ايمني پاييني تيغه ميشوند.

◀ **حفاظ ايمني پاييني فقط براي برشهاي خاص مانند "برشهاي جيبی" و "برشهاي ترکیبی" ميتواند بالا برده شود.** حفاظ ايمني پاييني را به وسيله اهرم بالا ببريد و به محض فرو رفتن تيغه اره در قطعه کار، اهرم را رها کنيد. هنگام ساير اره کارها، حفظ ايمني پاييني بايد به صورت اتوماتيك عمل کند.

◀ **قبل از قرار دادن اره برروي ميز کار و يا روی زمين، مطمئن شويد حفاظ ايمني پاييني روی تيغه اره را پوشانده است.** تيغه اره بدون حفاظ و در حال چرخش باعث عقب راندن اره ميشود و هر آنچه را که سر رانش قرار بگيرد، ميبرد. به مدت زمان لازم براي متوقف شدن تيغه اره بعد از رها شدن کلید، توجه داشته باشيد.

ساير راهنمايهاي ايمني

◀ **دستههای خود را به محل خروج تراشه نزديک نکنيد.** ممکن است، خود را با قسمتهای در حال چرخش مجروح کنيد.

◀ **با اره بالای سرتان کار نکنيد.** اينگونه کنترل کافي روی ابزار برقی نداريد.

◀ **برای پيدا کردن لوله ها و سيم های پنهان موجود در ساختمان و محدوده کار، از یک دستگاه ردياب مخصوص برای يافتن لوله ها و سيمهای تاسيسات استفاده کنيد و يا با شرکت های کارهای تاسيسات ساختمان و خدمات مربوطه تماس بگيريد.** تماس با کابل و سيمهای برق ممکن است باعث آتشسوزی و يا برق گرفتگی شود. ايراد و آسیب دیدگی لوله گاز ميتواند باعث انفجار شود. سوراخ شدن لوله آب، باعث خسارت و يا برق گرفتگی ميشود.

◀ **ابزار برقی را هنگام کار با دو دست محکم بگيريد و وضعيت خود را ثابت و مطمئن کنيد.** ابزار برقی با دو دست مطمئن تر هدايت می شود.

◀ **از ابزار برقی به صورت نصب شده استفاده نکنيد.** ابزار برقی برای کار روی ميز اره مناسب نيست.

◀ **هنگام انجام "برش عمقی" که به صورت عمودی انجام نمی شود، صفحه راهنمای اره را در برابر حرکت جانی ایمن کنيد.** حرکت جانی ممکن است منجر به گیر کردن تيغه اره و ضربه به عقب شود.

◀ **قطعه کار را محکم کنيد.** در صورتیکه قطعه کار به وسيله تجهيزات نگه دارنده و يا بوسيله گیره محکم شده باشد، قطعه کار مطمئن تر نگه داشته ميشود، تا اينکه بوسيله دست نگه داشته شود.

◀ **قبل از کنار گذاشتن ابزار برقی صبر کنيد تا دستگاه بطور کامل از کار و حرکت بایستد.** ابزار ممکن است به قطعه کار گیر کرده و کنترل ابزار برقی از دست شما خارج شود.

◀ **از تيغه ارههای فولادی HSS استفاده نکنيد.** اينگونه تيغه های اره ممکن است سريع بشکنند.

◀ **فلزات آهنی را اره نکنيد.** تراشههای گداخته ميتوانند باعث آتشسوزی در مکنده گرد و غبار شوند.

کاربر دستگاه می تواند با اقدامات ايمني مناسب و با رعايت احتیاط بر اين گونه نیروها مسلط باشد.

◀ **در صورت گیر کردن تيغه اره و يا متوقف ساختن کارتان به سر دليلی، دستگاه را خاموش نموده و اره را ثابت نگه داريد تا تيغه اره کاملاً متوقف شود.** هرگز تا زمانی که تيغه اره در حال چرخش است، سعی نکنيد آنرا از داخل قطعه کار خارج کنيد و يا اره را به عقب بکشيد، در غير اين صورت امکان پس زدن و ضربه برگشتی وجود دارد. علت گیر کردن تيغه اره را جستجو کرده و آنرا برطرف کنيد.

◀ **هنگام روشن کردن مجدد اره در داخل قطعه کار، تيغه اره را در وسط شکاف برش قرار دهيد، به طوری که دندانهای تيغه اره در قطعه کار درگیر نشود.** در صورت گیر کردن تيغه اره، ممکن است هنگام روشن کردن مجدد دستگاه، تيغه اره از قطعه کار بيرون بيايد يا پس بزند.

◀ **سطوح و قطعات بزرگ را خوب مهار کنيد تا خطر پس زدن و يا گیر کردن تيغه اره کاهش يابد.** قطعات پهن و بزرگ ممکن است تحت تأثیر وزن خود خم شوند. از اينرو بايد در دو طرف قطعه کار، هم در نزديکی خط برش و هم در نزديکی لبه قطعه، تکیهگاه قرار داده شود.

◀ **از به کار بردن تيغههای کند يا آسیب دیده خودداری کنيد.** تيغههای کند اره يا درست قرار نگرفتن آنها، باعث ايجاد یک شکاف برش تنگ و در نتيجه منجر به افزايش اصطکاک، گیر کردن تيغه اره و پس زدن دستگاه ميشوند.

◀ **قبل از شروع اره کاری، نخست اهرمهای مهار تنظيم عمق و تنظيم زاويه برش را محکم کنيد.** چنانچه تنظيمات در حين اره کاری تغيير يابند، امکان گیر کردن تيغه اره و ضربه برگشتی دستگاه وجود دارد.

◀ **هنگام ارهکاری درون ديوارهای موجود يا ساير نفاط کور بيشتتر احتیاط کنيد.** تيغه اره فرو رفته ميتواند در اجسام کج شده، گیر کند و باعث پس زدن شود.

عملکرد حفاظ پايینی

◀ **قبل از هر بار استفاده، کنترل کنيد که حفاظ ايمني پايینی تيغه اره (حفاظ ايمني خودکار) بخوبی بسته شود.** چنانچه حفاظ ايمني پايینی آزادانه حرکت نميکند و يا فوراً بسته نميشود، اره را مورد استفاده قرار ندهيد. هرگز حفاظ ايمني پايینی تيغه را در وضعيت باز مهار نکنيد و يا آنرا با وسيلههای نيندديد. چنانچه اره به طور اتفاقی سقوط کند، ممکن است حفاظ ايمني پايینی تيغه خميده و کج شود. با استفاده از اهرم برگشت پذير، قاب محافظ پايینی را بالا ببريد و مطمئن شويد که آزادانه حرکت ميکند و در کليه زوایا و عمقهای برش، با تيغه اره و ساير قسمتها برخورد نميکند.

◀ **عملکرد فنر حفاظ ايمني پايینی تيغه را کنترل کنيد.** چنانچه حفاظ ايمني و فنر آن به درستی عمل نميکنند، پيش از به کار بردن دستگاه اره، آنها را سرويس و تعمير کنيد. قطعات آسیب دیده، رسوبات چسبنده و يا تجمع تراشه و

◀ از ماسک ایمنی تنفس در برابر گرد و غبار استفاده کنید.

توضیحات محصول و کارکرد

همه دستورات ایمنی و راهنماییها را بخوانید. اشتباهات ناشی از عدم رعایت این دستورات ایمنی ممکن است باعث برقگرفتگی، سوختگی و یا سایر جراحات های شدید شود.



به تصویرهای واقع در بخشهای اول دفترچه راهنما توجه کنید.

موارد استفاده از دستگاه

این ابزار برقی برای برش های طولی و عرضی قطعات چوبی با مسیر برش مستقیم و همچنین برش های زاویه دار (زاویه فارسی بر)، در حالیکه دستگاه بطور محکم بر روی قطعه کار قرار گرفته باشد، در نظر گرفته شده است.

اجزاء دستگاه

شماره گذاری تصاویر اجزاء دستگاه بر اساس شکل ابزار برقی در صفحه تصاویر است.

- (1) کلید روشن/خاموش
- (2) قفل ایمنی کلید روشن/خاموش
- (3) دسته کمکی (دارای روکش عایق)^(a)
- (4) دکمه قفل محور دستگاه
- (5) درجه بندی زاویه مورب
- (6) پیچ خروسکی برای انتخاب زاویه مورب
- (7) پیچ خروسکی برای خط کش راهنمای موازی
- (8) علامت برش 45°
- (9) علامت برش 0°
- (10) خط کش راهنمای موازی
- (11) حفاظ ایمنی متحرک
- (12) صفحه پایه
- (13) اهرم تنظیم برای حفاظ ایمنی متحرک
- (14) خروچی تراشه
- (15) قاب محافظ
- (16) دسته (دارای روکش عایق)
- (17) آچار آلن^(a)
- (18) پیچ مهار با واشر
- (19) فلنج مهار
- (20) تیغه اره گرد^(a)
- (21) محور اره با فلنج گیرنده
- (22) اهرم قفل کن برای انتخاب عمق برش
- (23) درجه بندی عمق برش
- (24) گیره پیچی^(b)

(25) آداپتور مکش^(a)

(a) کلیه متعلقاتی که در تصویر و یا در متن آمده است، بطور معمول همراه دستگاه ارائه نمیشود. لیست کامل متعلقات را در برنامه متعلقات ما می یابید.

(b) معمول در بازار (در محتویات ارسالی موجود نیست)

مشخصات فنی

اره گرد دستی		GKS 130
شماره فنی		3 601 FC3 0..
توان ورودی نامی	W	1300
سرعت در حالت آزاد	min ⁻¹	5800
حداکثر عمق برش با تیغه اره به قطر 184 mm		
- در زاویه مورب 0°	mm	64
- در زاویه مورب 45°	mm	45
قفل کننده محور دستگاه		●
ابعاد صفحه پایه	mm	290 x 150
حداکثر قطر تیغه اره	mm	184
حداقل قطر تیغه اره	mm	184
حداکثر ضخامت تیغه اره	mm	2,0
سوراخ نگهدارنده	mm	20
وزن مطابق استاندارد EPTA-Procedure 01:2014	kg	3,9
کلاس ایمنی		II/□

مقادیر برای ولتاژ نامی [U] 230 ولت میباشند. برای ولتاژهای مختلف و تولیدات مخصوص کشورها، ممکن است این مقادیر متفاوت باشند.

نصب

◀ فقط از تیغه های اره ای استفاده کنید که حداکثر سرعت مجاز آنها از سرعت در حالت آزاد (بدون بار) ابزار برقی شما بیشتر باشد.

نحوه جاگذاری/تعویض تیغه اره

◀ پیش از انجام هرگونه کاری بر روی ابزار الکتریکی، دوشاخه اتصال آنرا از داخل پریز برق بیرون بکشید.

◀ به هنگام مونتاژ تیغه اره از دستکش ایمنی استفاده کنید. در تماس با تیغه اره خطر آسیب دیدگی و جراحت وجود دارد.

◀ به هیچ وجه از صفحه سنگ بعنوان متعلقات برش استفاده نکنید.

نصب تیغه اره (رجوع شود به تصویر A)

برای تعویض ابزار و متعلقات، بهتر است ابزار برقی را بر روی پیشانی (سطح خارجی) بدنه موتور قرار بدهید.

- دکمه قفل کننده (4) را فشار دهید و آن را فشرده نگه دارید.

◀ دکمه قفلکننده (4) را فقط در صورت توقف کامل محور دستگاه فشار دهید. در غیر اینصورت امکان آسیب دیدن ابزار برقی وجود دارد.

نصب آداپتور مکنده (رجوع شود به تصویر E)
آداپتور مکش (25) را در لوله خروجی تراشه (14) فرو کنید تا جا بیافتد.

به آداپتور مکش (25) می توان یک شلنگ مکش با قطر 35 میلیمتر متصل کرد.

◀ **آداپتور مکش را نباید بدون اتصال مکنده مجزا نصب کرد.** در غیر اینصورت کانال مکش مسدود میشود.

◀ **روی آداپتور مکش نباید هیچ کیسه مکشی نصب گردد.** در غیر اینصورت سیستم مکش مسدود میشود.

برای تضمین مکش بهینه بایستی آداپتور مکش (25) مرتب تمیز شود.

مکش گرد و غبار توسط مکنده مجزا

شلنگ مکنده را به یک مکنده (متعلقات) وصل کنید. تشریح نحوه اتصال مکنده های مختلف را در انتهای این دفترچه راهنما می یابید.

ابزار برقی را میتوان مستقیماً به یک پرز مکنده عمومی Bosch مجهز به سیستم فعالسازی از راه دور متصل کرد. با روشن کردن ابزار برقی، دستگاه مکش متصل شده نیز بطور اتوماتیک روشن می شود.

دستگاه مکنده باید برای قطعه کار مورد نظر مناسب باشد.

برای مکش گرد و غباری که برای سلامتی مضرند و سرطان زا هستند و یا برای مکش تراشه های خشک باید از یک دستگاه مکنده مخصوص استفاده کنید.

طرز کار با دستگاه

◀ **پیش از انجام هرگونه کاری بر روی ابزار الکتریکی، دوشاخه اتصال آنرا از داخل پرز برق بیرون بکشید.**

انواع عملکرد

تنظیم عمق برش (رجوع کنید به تصویر B)

◀ **عمق برش را نسبت به ضخامت قطعهکار تنظیم کنید.** بایستی کمتر از ارتفاع یک دندان کامل تیغه اره از زیر قطعه کار قابل رؤیت باشد.

اهرم مهار (22) را باز کنید. برای برش با عمق کمتر، اهرم را از صفحه پایه (12) کنار بکشید، برای برش با عمق بیشتر، اهرم را به طرف صفحه پایه (12) برانید. اندازه عمق برش مورد نیاز را از روی جدول درجه بندی عمق برش تنظیم کنید. اهرم مهار (22) را دوباره سفت کنید.

چنانچه پس از باز کردن اهرم مهار (22) نتوانستید عمق برش را کاملاً تغییر دهید، اهرم مهار (22) را از اهرم دور کنید و آن را به طرف پایین برانید. اهرم مهار (22) را دوباره رها کنید. این عمل را تکرار کنید تا بتوان عمق برش مورد نظر را تنظیم نمود.

چنانچه پس از باز کردن اهرم مهار (22) نتوانستید عمق برش را به اندازه کافی تثبیت کنید، اهرم مهار (22) را از اهرم دور کنید و آن را به طرف بالا برانید. اهرم مهار (22) را دوباره رها کنید. این عمل را تکرار کنید تا بتوان عمق برش مورد نظر را تثبیت نمود.

– با آچار آلن (17) پیچ مهار (18) را در جهت ① بیرون بکشید.

– پیچ پاندولی (11) را به عقب برانید و آن را محکم نگه دارید.

– فلائز مهار (19) و تیغه اره (20) را از محور اره با فلائز گیرنده (21) جدا کنید.

انتخاب تیغه اره

لیستی از تیغه اره های توصیه شده را در انتهای این دفترچه می یابید.

نصب تیغه اره (رجوع شود به تصویر A)

برای تعویض ابزار و متعلقات، بهتر است ابزار برقی را بر روی پیشانی (سطح خارجی) بدنه موتور قرار دهید.

– تیغه اره (20) و تمام قسمتهای مهار را تمیز کنید.
– پیچ پاندولی (11) را به عقب برانید و آن را محکم نگه دارید.

– تیغه اره (20) را روی محوره اره با فلائز گیرنده (21) قرار دهید. جهت برش دندانها (جهت فلش روی تیغه اره) و فلش جهت چرخش روی قاب محافظ (15) بایستی با هم مطابقت داشته باشند.

– فلائز مهار (19) را قرار دهید و پیچ مهار (18) را در جهت چرخش ② ببچانید. به حالت نصب محور اره با فلائز گیرنده (21) و فلائز مهار (19) توجه کنید.

– دکمه قفل کننده (4) را فشار دهید و آن را فشرده نگه دارید.

– با آچار آلن (17) پیچ مهار (18) را در جهت چرخش ② بیرون بکشید. گشتاور سفت کردن بایستی 9-6 نیوتنمتر باشد، این برابر است با سفت کردن با دست بلاوه ¼ چرخش.

مکش گرد، براده و تراشه

گرد و غبار موادی مانند رنگ های دارای سرب، بعضی از چوب ها، مواد معدنی و فلزات میتوانند برای سلامتی مضر باشند. دست زدن و یا تنفس کردن گرد و غبار ممکن است باعث بروز آلرژی و یا بیماری مجاری تنفسی شخص استفاده کننده و یا افرادی که در آن نزدیکی میباشند، بشود.

گرد و غبارهای مخصوصی مانند گرد و غبار درخت بلوط و یا درخت راش سرطان زا هستند، بخصوص ترکیب آنها با سایر موادی که برای کار بر روی چوب (کرومات، مواد برای محافظت از چوب) بکار برده میشوند. فقط افراد متخصص مجازند با موادی که دارای آزیست میباشند کار کنند.

– حتی الامکان از یک دستگاه مکش مناسب و درخور ماده (قطعه کار) استفاده کنید.

– توجه داشته باشید که محل کار شما از تهویه هوای کافی برخوردار باشد.

– توصیه میشود از ماسک تنفسی ایمنی با درجه فیلتر P2 استفاده کنید.

به قوانین و مقررات معتبر در کشور خود در رابطه با استفاده از مواد و قطعات کاری توجه کنید.

◀ **از تجمع گرد و غبار در محل کار جلوگیری کنید.** گرد و غبار می توانند به آسانی مشتعل شوند.

نحوه اره کردن چوب

انتخاب صحیح تیغه اره بر حسب نوع چوب، کیفیت چوب و اینکه برش طولی یا برش عرضی صورت میگیرد، انجام میشود.
در برش های طولی چوب کاج، تراشه های طولی و ماریچ ایجاد میشود.
گرد و غبارهای درخت بلوط و راش برای سلامتی مضر هستند، به همین دلیل تنها با مکنده گرد و غبار کار کنید.

ارهکاری با خطکش راهنمای موازی (رجوع کنید به تصویر C)

خطکش راهنمای موازی (10) برش دقیق در امتداد لبه قطعه کار یا برش نوارهای یکاندازه را فراهم می کند.

پیچ پروانه‌ای (7) را باز کنید و درجه بندی خطکش راهنمای موازی (10) را در شیار صفحه پایه (12) برانید. عرض برش دلخواه را به عنوان مقدار درجه بندی روی علامت برش مربوط (9) یا (8) تنظیم کنید، رجوع کنید به بخش، «علامتهای برش». پیچ پروانه‌ای (7) را دوباره سفت کنید.

ارهکاری با نگهدارنده کمکی (رجوع کنید به تصویر D)

برای کار بر روی قطعات بزرگ و یا برای برش لبه های مستقیم میتوانید از یک شیئی مانند یک تخته باریک بعنوان خط کش راهنمای برش به این ترتیب استفاده کنید که آنرا به قطعه کار محکم کنید و اره گرد را با کفی آن در امتداد خط کش راهنمای کمکی حرکت دهید.

مراقبت و سرویس

مراقبت، تعمیر و تمیز کردن دستگاه

◀ **پیش از انجام هرگونه کاری بر روی ابزار الکتریکی، دوشاخه اتصال آنرا از داخل پریز برق بیرون بکشید.**

◀ **ابزار الکتریکی و شیارهای تهویه آنرا تمیز نگاه دارید، تا ایمنی شما در کار تضمین گردد.**

در صورت نیاز به یک کابل پدکی برای اتصال به شبکه برق، بایستی به شرکت **Bosch** و یا به نمایندگی مجاز **Bosch** (خدمات پس از فروش) برای ابزار آلات برقی مراجعه کنید تا از بروز خطرات ایمنی جلوگیری بعمل آید.

حفاظ ایمنی خودکار باید همواره آزادانه قابل حرکت باشد و بتواند بطور خودکار بسته شود. از اینرو محدوده حفاظ ایمنی خودکار را همیشه تمیز نگهدارید. گرد و غبار و تراشه ها را با یک قلم مو بردارید.

کاغذ سنباده های بدون پوشش می توانند با یک لایه ی روغن بدون اسید از زنگ زدگی محافظت شوند. پیش از اره کاری، روغن را پاک کنید، زیرا احتمال لک شدن چوب وجود دارد.
صمغ درخت و یا بقایای چسب چوب بر روی تیغه اره باعث کاهش کیفیت برش میشود. از اینرو تیغه اره را بلافاصله پس از استفاده تمیز کنید.

تنظیم زاویه برش فارسی

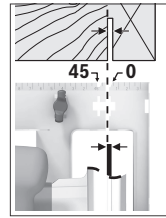
بهتر است ابزار برقی را روی طرف پیشانی قاب محافظ (15) قرار دهید.

پیچ پروانه‌ای (6) را باز کنید. اره را به پهلو بچلکانید. اندازه دلخواه را روی درجه بندی (5) تنظیم کنید. پیچ پروانه‌ای (6) را دوباره سفت کنید.

نکته: برای برشهای با زاویه فارسی، عمق برش کمتر از مقدار نشان داده شده روی درجه بندی عمق برش (23) است.

نحوه علامت گذاری های برش

علامت برش 0° (9) وضعیت تیغه اره را در برش با زاویه ی عمودی نشان می دهد. علامت برش 45° (8) وضعیت تیغه اره را در برش با زاویه ی 45° نشان می دهد. برای انجام یک برش دقیق طبق اندازه، اره را طبق تصویر بر روی قطعه کار قرار دهید. بهتر است یک برش آزمایشی انجام دهید.



راه اندازی و نحوه کاربرد دستگاه

◀ **به ولتاژ شبکه برق توجه کنید! ولتاژ منبع جریان برق باید با مقادیر موجود روی برچسب ابزار برقی مطابقت داشته باشد. ابزارهای برقی را که با ولتاژ 230 V ولت مشخص شده اند، می توان تحت ولتاژ 220 V ولت نیز بکار برد.**

نحوه روشن و خاموش کردن

◀ **از فعال کردن کلید قطع و وصل بدون رها کردن دسته مطمئن شوید.**

جهت راهاندازی ابزار برقی، ابتدا قفل کلید (2) را فعال کنید و سپس کلید قطع و وصل (1) را فشرده نگه دارید.

برای خاموش کردن ابزار برقی، کلید قطع و وصل (1) را رها کنید.

نکته: بنا به دلایل ایمنی، کلید قطع و وصل (1) را نمی توان تثبیت و قفل کرد، بلکه آنرا باید در حین کار همواره در حالت فشرده نگه داشت.

راهنماییهای عملی

◀ **پیش از انجام هرگونه کاری بر روی ابزار الکتریکی، دوشاخه اتصال آنرا از داخل پریز برق بیرون بکشید.**

عرض برش بر حسب تیغه اره کاربردی متفاوت است. تیغه های اره را در برابر ضربه و فشار محافظت کنید. ابزار برقی را با فشار کم و متعادل در جهت برش جلو ببرید تا کیفیت برش خوبی داشته باشید. فشار زیاد از طول عمر ابزار مورد استفاده می کاهد و ممکن است به ابزار برقی آسیب برساند.

قدرت برش و کیفیت برش عمدتاً به وضعیت و فرم دندانه های تیغه اره بستگی دارند. از این رو فقط از تیغه های اره تیز و متناسب با جنس قطعه کار مورد نظر استفاده کنید.

خدمات و مشاوره با مشتریان

خدمات مشتری، به سؤالات شما درباره تعمیرات، سرویس و همچنین قطعات یدکی پاسخ خواهد داد. نقشه‌های سه بعدی و اطلاعات مربوط به قطعات یدکی را در تارنمای زیر مییابید:

www.bosch-pt.com

گروه مشاوره به مشتریان Bosch با کمال میل به سؤالات شما درباره محصولات و متعلقات پاسخ می‌دهند.

برای هرگونه سؤال و یا سفارش قطعات یدکی، حتماً شماره فنی 10 رقمی کالا را مطابق برچسب روی ابزار برقی اطلاع دهید.

ایران

روبرت بوش ایران - شرکت بوش تجارت پارس
میدان ونک، خیابان شهید خدای، خیابان آفتاب
ساختمان مادیران، شماره 3، طبقه سوم.

تهران 1994834571

تلفن: 9821+ 42039000

آدرس سایر دفاتر خدماتی را در ادامه بیابید:

www.bosch-pt.com/serviceaddresses

از رده خارج کردن دستگاه

ابزار برقی، متعلقات و بسته بندی آن، باید طبق مقررات حفظ محیط زیست از رده خارج و بازیافت شوند.

ابزارهای برقی را داخل زباله دان خانگی نیاندازید!

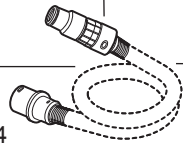




1 619 P06 204



1 619 PA7 326



Ø 22 mm:

2 608 000 571 (3 m)

2 608 000 567 (5 m)

Ø 35 mm:

2 608 000 569 (3 m)

2 608 000 565 (5 m)

1 619 PB3 826 (3 m)



Ø 22 mm:

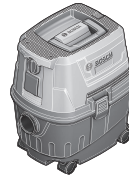
2 608 000 572 (3 m)

2 608 000 568 (5 m)

Ø 35 mm:

2 608 000 570 (3 m)

2 608 000 566 (5 m)



GAS 15 PS



GAS 12-25 PL



GAS 35 L SFC+
GAS 35 L AFC
GAS 35 M AFC



GAS 55 M AFC

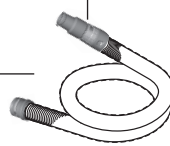


GAS 18V-10 L

2 608 000 585



1 619 P06 204

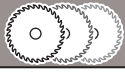


Ø 35 mm:

2 608 000 658 (1,6 m)



1 619 PB9 451



optiline
WOOD



speedline
WOOD

fast
CUT



CONSTRUCT
WOOD

fast
CUT

