

Robert Bosch Power Tools GmbH
70538 Stuttgart
GERMANY

www.bosch-pt.com

1 609 92A 4RJ (2018.12) 0 / 19



1 609 92A 4RJ

GSR | GSB Professional **HEAVY DUTY**

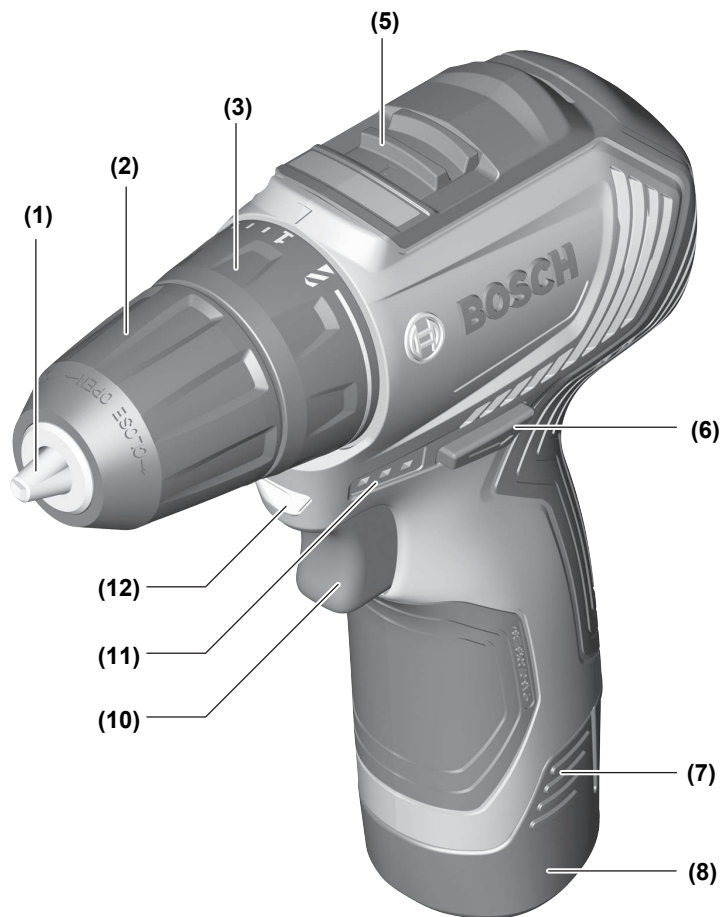
10.8V-30

 **BOSCH**

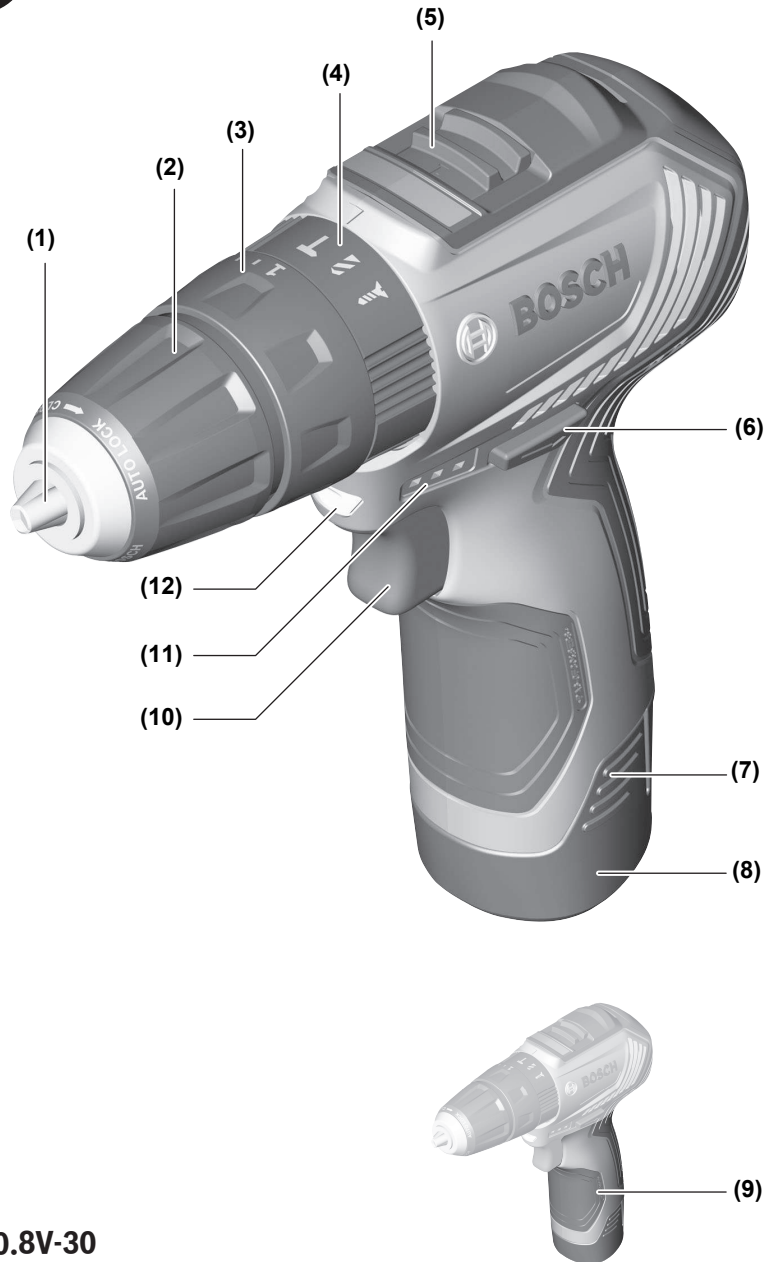
en Original instructions

ko 사용 설명서 원본

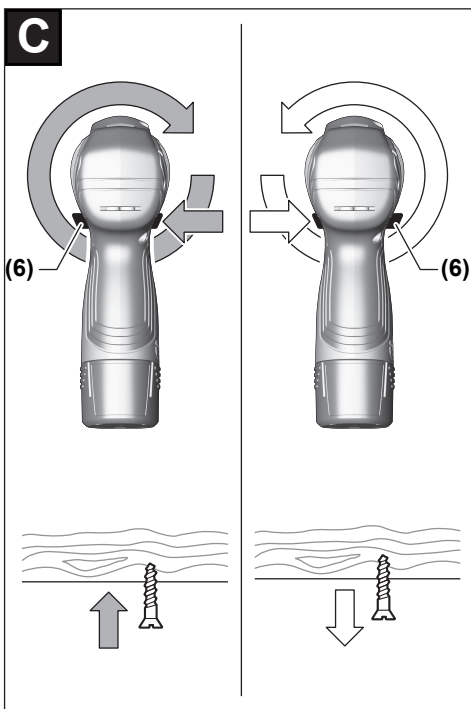
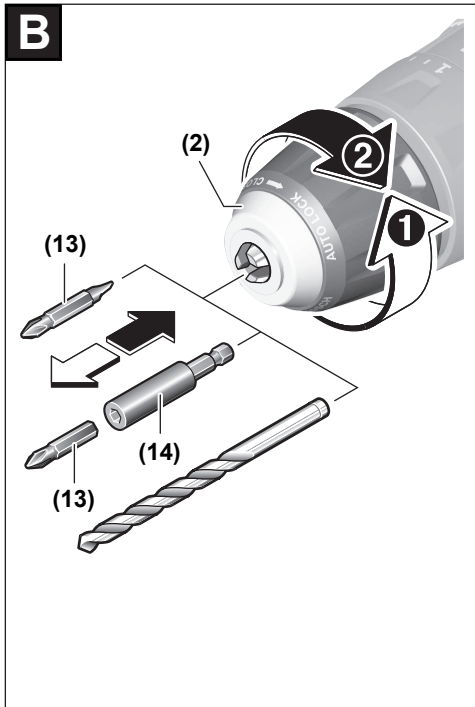
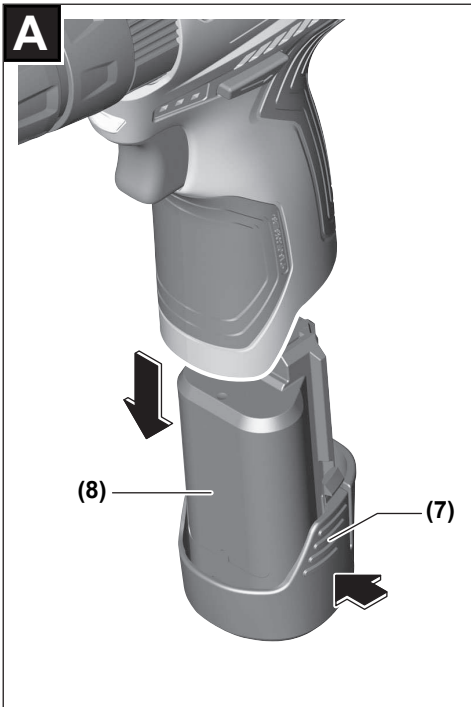
English Page 6
한국어 페이지 11



GSR 10.8V-30



GSB 10.8V-30



English

Safety instructions

General Power Tool Safety Warnings

⚠ WARNING **Read all safety warnings and all instructions.** Failure to follow the warnings and instructions may result in electric shock, fire and/or serious injury.

Save all warnings and instructions for future reference.

The term "power tool" in the warnings refers to your mains-operated (corded) power tool or battery-operated (cordless) power tool.

Work area safety

- ▶ **Keep work area clean and well lit.** Cluttered or dark areas invite accidents.
- ▶ **Do not operate power tools in explosive atmospheres, such as in the presence of flammable liquids, gases or dust.** Power tools create sparks which may ignite the dust or fumes.
- ▶ **Keep children and bystanders away while operating a power tool.** Distractions can cause you to lose control.

Electrical safety

- ▶ **Power tool plugs must match the outlet. Never modify the plug in any way. Do not use any adapter plugs with earthed (grounded) power tools.** Unmodified plugs and matching outlets will reduce risk of electric shock.
- ▶ **Avoid body contact with earthed or grounded surfaces, such as pipes, radiators, ranges and refrigerators.** There is an increased risk of electric shock if your body is earthed or grounded.
- ▶ **Do not expose power tools to rain or wet conditions.** Water entering a power tool will increase the risk of electric shock.
- ▶ **Do not abuse the cord. Never use the cord for carrying, pulling or unplugging the power tool. Keep cord away from heat, oil, sharp edges or moving parts.** Damaged or entangled cords increase the risk of electric shock.
- ▶ **When operating a power tool outdoors, use an extension cord suitable for outdoor use.** Use of a cord suitable for outdoor use reduces the risk of electric shock..
- ▶ **If operating a power tool in a damp location is unavoidable, use a residual current device (RCD) protected supply.** Use of an RCD reduces the risk of electric shock.

Personal safety

- ▶ **Stay alert, watch what you are doing and use common sense when operating a power tool. Do not use a power tool while you are tired or under the influence of drugs, alcohol or medication.** A moment of inattention while operating power tools may result in serious personal injury.

- ▶ **Use personal protective equipment. Always wear eye protection.** Protective equipment such as dust mask, non-skid safety shoes, hard hat, or hearing protection used for appropriate conditions will reduce personal injuries.
- ▶ **Prevent unintentional starting. Ensure the switch is in the off-position before connecting to power source and/or battery pack, picking up or carrying the tool.** Carrying power tools with your finger on the switch or energising power tools that have the switch on invites accidents.
- ▶ **Remove any adjusting key or wrench before turning the power tool on.** A wrench or a key left attached to a rotating part of the power tool may result in personal injury.
- ▶ **Do not overreach. Keep proper footing and balance at all times.** This enables better control of the power tool in unexpected situations.
- ▶ **Dress properly. Do not wear loose clothing or jewellery. Keep your hair, clothing and gloves away from moving parts.** Loose clothes, jewellery or long hair can be caught in moving parts.
- ▶ **If devices are provided for the connection of dust extraction and collection facilities, ensure these are connected and properly used.** Use of dust collection can reduce dust-related hazards.

Power tool use and care

- ▶ **Do not force the power tool. Use the correct power tool for your application.** The correct power tool will do the job better and safer at the rate for which it was designed.
- ▶ **Do not use the power tool if the switch does not turn it on and off.** Any power tool that cannot be controlled with the switch is dangerous and must be repaired.
- ▶ **Disconnect the plug from the power source and/or the battery pack from the power tool before making any adjustments, changing accessories, or storing power tools.** Such preventive safety measures reduce the risk of starting the power tool accidentally.
- ▶ **Store idle power tools out of the reach of children and do not allow persons unfamiliar with the power tool or these instructions to operate the power tool.** Power tools are dangerous in the hands of untrained users.
- ▶ **Maintain power tools. Check for misalignment or binding of moving parts, breakage of parts and any other condition that may affect the power tool's operation. If damaged, have the power tool repaired before use.** Many accidents are caused by poorly maintained power tools.
- ▶ **Keep cutting tools sharp and clean.** Properly maintained cutting tools with sharp cutting edges are less likely to bind and are easier to control.
- ▶ **Use the power tool, accessories and tool bits etc. in accordance with these instructions, taking into account the working conditions and the work to be performed.**

formed. Use of the power tool for operations different from those intended could result in a hazardous situation.

Battery tool use and care

- ▶ **Recharge only with the charger specified by the manufacturer.** A charger that is suitable for one type of battery pack may create a risk of fire when used with another battery pack.
- ▶ **Use power tools only with specifically designated battery packs.** Use of any other battery packs may create a risk of injury and fire.
- ▶ **When battery pack is not in use, keep it away from other metal objects, like paper clips, coins, keys, nails, screws or other small metal objects, that can make a connection from one terminal to another.** Shorting the battery terminals together may cause burns or a fire.
- ▶ **Under abusive conditions, liquid may be ejected from the battery; avoid contact. If contact accidentally occurs, flush with water. If liquid contacts eyes, additionally seek medical help.** Liquid ejected from the battery may cause irritation or burns.

Service

- ▶ **Have your power tool serviced by a qualified repair person using only identical replacement parts.** This will ensure that the safety of the power tool is maintained.

Safety information for drills and screwdrivers

- ▶ **Wear ear protectors when impact drilling.** Exposure to noise can cause hearing loss.
- ▶ **Use auxiliary handle(s), if supplied with the tool.** Loss of control can cause personal injury.
- ▶ **Use suitable detectors to determine if there are hidden supply lines or contact the local utility company for assistance.** Contact with electric cables can cause fire and electric shock. Damaging gas lines can lead to explosion. Breaking water pipes causes property damage.
- ▶ **Hold power tool by insulated gripping surfaces when performing an operation where the cutting accessory or the fastener may contact hidden wiring.** Cutting accessory and fasteners contacting a "live" wire may make exposed metal parts of the power tool "live" and could give the operator an electric shock.
- ▶ **Hold the power tool securely.** When tightening and loosening screws be prepared for temporarily high torque reactions.
- ▶ **Secure the workpiece.** A workpiece clamped with clamping devices or in a vice is held more secure than by hand.
- ▶ **Always wait until the power tool has come to a complete stop before placing it down.** The application tool can jam and cause you to lose control of the power tool.
- ▶ **In case of damage and improper use of the battery, vapours may be emitted. The battery can set alight or ex-**

plode. Ensure the area is well ventilated and seek medical attention should you experience any adverse effects. The vapours may irritate the respiratory system.

- ▶ **Do not open the battery.** There is a risk of short-circuiting.
- ▶ **The battery can be damaged by pointed objects such as nails or screwdrivers or by force applied externally.** An internal short circuit may occur, causing the battery to burn, smoke, explode or overheat.
- ▶ **Only use the battery with products from the manufacturer.** This is the only way in which you can protect the battery against dangerous overload.



Protect the battery against heat, e.g. against continuous intense sunlight, fire, water and moisture. There is a risk of explosion.

Product Description and Specifications



Read all the safety and general instructions.

Failure to observe the safety and general instructions may result in electric shock, fire and/or serious injury.

Please observe the illustrations at the beginning of this operating manual.

Intended use

The power tool is intended for driving and loosening screws and for drilling in wood, metal, ceramic and plastic. The GSB is also designed for impact drilling in brick.

Product Features

The numbering of the product features refers to the diagram of the power tool on the graphics page.

- (1) Tool holder
- (2) Keyless chuck
- (3) Torque presetting ring
- (4) Mode selector switch (GSB 10.8V-30 only)
- (5) Gear selector switch
- (6) Rotational direction switch
- (7) Battery release button ^{A)}
- (8) Battery ^{A)}
- (9) Handle (insulated gripping surface)
- (10) On/off switch
- (11) Battery charge indicator
- (12) "PowerLight"
- (13) Screwdriver bit ^{A)}
- (14) Universal bit holder ^{A)}

A) Accessories shown or described are not included with the product as standard. You can find the complete selection of accessories in our accessories range.

Technical Data

Cordless screwdriver		GSR 10.8V-30	GSB 10.8V-30
Article number		3 601 JG9 0..	3 601 JG9 1..
Rated voltage	V=	10.8	10.8
No-load speed			
– First gear	min ⁻¹	0 – 420	0 – 420
– Second gear	min ⁻¹	0 – 1600	0 – 1600
Impact rate		–	0 – 24000
Max. torque, hard/soft screwdriving application according to ISO 5393	Nm	30/18 ^{A)}	30/18 ^{A)}
Max. drilling diameter (first/second gear)			
– Masonry	mm	–	8
– Steel	mm	10	10
– Wood	mm	20	20
Screw diameter max.	mm	8	8
Weight according to EPTA-Procedure 01:2014	kg	0.90	1.0
Permitted ambient temperature			
– during charging	°C	0 to +45	0 to +45
– During operation ^{B)} and during storage	°C	-20 to +50	-20 to +50
Recommended batteries		GBA 10.8V..	GBA 10.8V..
Recommended chargers		AL 11.. CV GAL 12.. CV GAL 12V.. GAX 18V-30	AL 11.. CV GAL 12.. CV GAL 12V.. GAX 18V-30

A) Depends on battery in use

B) Limited performance at temperatures <0 °C

Assembly

- **Remove the battery from the power tool before carrying out work on the power tool (e.g. maintenance, changing tool, etc.). The battery should also be removed for transport and storage.** There is risk of injury from unintentionally pressing the on/off switch.

Removing the battery (see figure A)

- **Use only the chargers listed on the accessories page.** Only these chargers are matched to the lithium-ion battery of your power tool.

Note: The battery is supplied partially charged. To ensure full battery capacity, fully charge the battery in the charger before using your power tool for the first time.

The lithium-ion battery can be charged at any time without reducing its service life. Interrupting the charging process does not damage the battery.

The lithium-ion battery is protected against deep discharge by the Electronic Cell Protection (ECP). A protective circuit switches the cordless dust extractor off when the battery is drained.

- **Do not continue to press the On/Off switch after the power tool has automatically switched off.** The battery can be damaged.

To remove the battery (8), press the release button (7) and pull the battery downwards out of the power tool. **Do not use force to do this.**

Follow the instructions on correct disposal.

Changing the tool (see figure B)

The drill spindle is locked when the on/off switch (10) is not pressed. This makes it possible to change the application tool in the drill chuck quickly, conveniently and easily.

Open the keyless chuck (2) by turning it in the direction of rotation ① until the tool can be inserted. Insert the tool.

Firmly tighten the keyless chuck (2) by turning it by hand in the direction of rotation ②. You will hear an audible click from the GSB. The drill chuck is locked automatically.

The lock will disengage again if you turn the sleeve in the opposite direction to remove the tool.

Dust/Chip Extraction

Dust from materials such as lead-containing coatings, some wood types, minerals and metal can be harmful to one's health. Touching or breathing-in the dust can cause allergic reactions and/or lead to respiratory infections of the user or bystanders.

Certain dust, such as oak or beech dust, is considered carcinogenic, especially in connection with wood-treatment additives (chromate, wood preservative). Materials containing asbestos may only be worked by specialists.

- Provide for good ventilation of the working place.
- It is recommended to wear a P2 filter-class respirator.

Observe the relevant regulations in your country for the materials to be worked.

- **Avoid dust accumulation at the workplace.** Dust can easily ignite.

Operation

Starting Operation

Inserting the battery

Note: The use of batteries unsuitable for your power tool can lead to malfunctions or damage to the power tool.

Set the rotational direction switch **(6)** to the middle position to avoid unintentionally switching it on. Insert the charged battery **(8)** into the handle until you feel it engage and it is flush with the handle.

Setting the rotational direction (see figure C)

The rotational direction switch **(6)** is used to change the rotational direction of the power tool. However, this is not possible while the on/off switch **(10)** is being pressed.

Right rotation: To drill and to drive in screws, press the rotational direction switch **(6)** through to the left stop.

Left Rotation: To loosen and unscrew screws and nuts, press the rotational direction switch **(6)** through to the right stop.

Setting the Operating Mode



Drilling

GSR 10.8V-30:

Set the torque selector setting ring **(3)** to the "drilling" symbol.

GSR 10.8V-30:

Set the mode selector switch **(4)** to the "drilling" symbol.



Screwdriving

GSR 10.8V-30:

Set the torque selector setting ring **(3)** to the required torque.

GSR 10.8V-30:

Set the mode selector switch **(4)** to the "screw-driving" symbol.

Set the torque selector setting ring **(3)** to the required torque.





Impact drilling

GSR 10.8V-30:

Set the mode selector switch **(4)** to the "impact drilling" symbol.

Preselecting the Torque

The torque presetting ring **(3)** can be used to preselect the required torque in 20 stages. When the correct setting is used, the application tool will be stopped when the screw is driven flush into the material or once the set torque has been reached. In position  the overload clutch is deactivated, e.g. for drilling.

When unscrewing screws, you can select a higher setting or set the tool to the  symbol.

Mechanical gear selection

- **Only operate the gear selector (5) when the power tool is not in use.**

You can preselect two speed ranges with the gear selector **(5)**.

Gear I:

Low speed range; for screwdriving or working with a large drilling diameter.

Gear II:

High speed range; for working with a small drilling diameter. If the gear selector switch **(5)** cannot be pushed all the way, turn the tool holder **(1)** with the application tool slightly.

Switching on/off

To **start** the power tool, press and hold the on/off switch **(10)**.

The lamp **(12)** lights up when the on/off switch **(10)** is lightly or fully pressed, meaning that the work area is illuminated in poor lighting conditions.

To **switch off** the power tool, release the on/off switch **(10)**.

Adjusting the Speed

You can adjust the speed of the power tool when it is on by pressing in the on/off switch **(10)** to varying extents.

A light pressure on the on/off switch **(10)** results in a low rotational speed. Increased pressure on the switch causes an increase in speed.

Setting the speed/impact rate (GSR 10.8V-30)

You can adjust the speed/impact rate of the power tool when it is on by pressing in the on/off switch **(10)** to varying extents.

Applying light pressure to the on/off switch **(10)** results in a low rotational speed/impact rate. Applying increasing pressure to the switch increases the speed/impact rate.

Fully automatic spindle lock (Auto-Lock)

The drill spindle, and therefore the tool holder, are locked when the on/off switch **(10)** is not pressed.

This allows screws to be driven in even when the battery is discharged and enables the power tool to be used as a screwdriver.

Run-out brake

Upon releasing the on/off switch **(10)**, the drill chuck is slowed down, which prevents the application tool from continuing to rotate.

When driving in screws, you should therefore only release the on/off switch **(10)** once the screw has been inserted flush into the workpiece. This way, the head of screw will not penetrate the workpiece.

Battery charge-control indicator

When the on/off switch **(10)** is pressed in halfway or completely, the battery charge-control indicator **(11)** indicates the charge condition of the battery for several seconds. The indicator consists of three green LEDs.

LED	Capacity
Continuous lighting 3 x green	≥ 2/3
Continuous lighting 2 x green	≥ 1/3
Continuous lighting 1 x green	< 1/3
Flashing light 1 x green	Reserve

Temperature-dependent overload protection

In normal conditions of use, the power tool cannot be overloaded. In the event of heaving loading or the temperature rising/falling outside the permitted battery temperature range, the speed will be reduced. The power tool will not run at full speed again until the permitted battery temperature has been reached.

Practical advice

- **Only apply the power tool to the screw/nut when the tool is switched off.** Rotating tool inserts can slip off.

After working at a low speed for an extended period, you should operate the power tool at the maximum speed for approximately three minutes without load to cool it down.

When drilling into metal, only use sharpened HSS drills (HSS = high-speed steel) which are in perfect condition. The **Bosch** accessory range guarantees appropriate quality.

Before screwing larger, longer screws into hard materials, it is advisable to pre-drill a pilot hole with the core diameter of the thread to approx. 2/3 of the screw length.

Maintenance and Servicing

Maintenance and Cleaning

- **Remove the battery from the power tool before carrying out work on the power tool (e.g. maintenance, changing tool, etc.). The battery should also be removed for transport and storage.** There is risk of injury from unintentionally pressing the on/off switch.
- **To ensure safe and efficient operation, always keep the power tool and the ventilation slots clean.**

After-sales service and advice on using products

Our after-sales service responds to your questions concerning maintenance and repair of your product as well as spare parts. You can find explosion drawings and information on spare parts at: **www.bosch-pt.com**

The Bosch product use advice team will be happy to help you with any questions about our products and their accessories.

In all correspondence and spare parts orders, please always include the 10-digit article number given on the nameplate of the product.

Great Britain

Robert Bosch Ltd. (B.S.C.)
P.O. Box 98
Broadwater Park
North Orbital Road
Denham Uxbridge
UB 9 5HJ

At **www.bosch-pt.co.uk** you can order spare parts or arrange the collection of a product in need of servicing or repair.

Tel. Service: (0344) 7360109

E-Mail: boschservicecentre@bosch.com

Ireland

Origo Ltd.
Unit 23 Magna Drive
Magna Business Park
City West
Dublin 24
Tel. Service: (01) 4666700
Fax: (01) 4666888

Australia, New Zealand and Pacific Islands

Robert Bosch Australia Pty. Ltd.
Power Tools
Locked Bag 66
Clayton South VIC 3169
Customer Contact Center
Inside Australia:
Phone: (01300) 307044
Fax: (01300) 307045
Inside New Zealand:
Phone: (0800) 543353
Fax: (0800) 428570
Outside AU and NZ:
Phone: +61 3 95415555
www.bosch-pt.com.au
www.bosch-pt.co.nz

Republic of South Africa

Customer service

Hotline: (011) 6519600

Gauteng – BSC Service Centre

35 Roper Street, New Centre
Johannesburg
Tel.: (011) 4939375
Fax: (011) 4930126
E-mail: bsctools@icon.co.za

KZN – BSC Service Centre

Unit E, Almar Centre
143 Crompton Street
Pinetown
Tel.: (031) 7012120
Fax: (031) 7012446
E-mail: bsc.dur@za.bosch.com

Western Cape – BSC Service Centre

Democracy Way, Prosperity Park
Milnerton
Tel.: (021) 5512577
Fax: (021) 5513223
E-mail: bsc@zsd.co.za

Bosch Headquarters

Midrand, Gauteng
Tel.: (011) 6519600
Fax: (011) 6519880
E-mail: rbsa-hq.pts@za.bosch.com

Transport

The contained lithium-ion batteries are subject to the Dangerous Goods Legislation requirements. The batteries are suitable for road-transport by the user without further restrictions.

When shipping by third parties (e.g.: by air transport or forwarding agency), special requirements on packaging and labelling must be observed. For preparation of the item being shipped, consulting an expert for hazardous material is required.

Dispatch battery packs only when the housing is undamaged. Tape or mask off open contacts and pack up the battery in such a manner that it cannot move around in the packaging. Please also observe the possibility of more detailed national regulations.

Disposal

The machine, rechargeable batteries, accessories and packaging should be sorted for environmental-friendly recycling.



Do not dispose of power tools and batteries/rechargeable batteries into household waste!

Battery packs/batteries:**Li-ion:**

Please observe the notes in the section on transport (see "Transport", page 11).

한국어**안전 수칙****전동공구용 일반 안전수칙****⚠ 경고**

모든 안전수칙과 지시 사항을
상세히 읽고 지켜야 합니다. 다

음의 안전수칙과 지시 사항을 준수하지 않으면 화재 위험이 있으며 감전 혹은 중상을 입을 수 있습니다. 앞으로 참고할 수 있도록 이 안전수칙과 사용 설명서를 잘 보관하십시오.

다음에서 사용되는 "전동공구"라는 개념은 전원에 연결하여 사용하는 (전선이 있는) 전동 기기나 배터리를 사용하는 (전선이 없는) 전동 기기를 의미합니다.

작업장 안전

- ▶ **작업장을 항상 깨끗이 하고 조명을 밝게 하십시오.** 작업장 환경이 어수선하거나 어두우면 사고를 초래할 수 있습니다.
- ▶ **가연성 유체, 가스 또는 분진이 있어 폭발 위험이 있는 환경에서 전동공구를 사용하지 마십시오.** 전동공구는 분진이나 증기에 점화하는 스파크를 일으킬 수 있습니다.
- ▶ **전동공구를 사용할 때 구경꾼이나 어린이 혹은 다른 사람이 작업장에 접근하지 못하게 하십시오.** 다른 사람이 주의를 산만하게 하면 기기에 대한 통제력을 잃기 쉽습니다.

전기에 관한 안전

- ▶ **전동공구의 전원 플러그가 전원 콘센트에 잘 맞아야 합니다.** 플러그를 절대 변경시켜서는 안 됩니다. (접지된) 전동공구를 사용할 때 어댑터 플러그를 사용하지 마십시오. 변형되지 않은 플러그와 잘 맞는 콘센트를 사용하면 감전의 위험을 줄일 수 있습니다.
- ▶ **파이프 관, 라디에이터, 레인지, 냉장고와 같은 접지 표면에 몸이 닿지 않도록 하십시오.** 몸에 닿을 경우 감전될 위험이 높습니다.
- ▶ **전동공구를 비에 맞지 않게 하고 습기 있는 곳에 두지 마십시오.** 전동공구에 물이 들어가면 감전될 위험이 높습니다.
- ▶ **전원 코드를 잘못 사용하는 일이 없도록 하십시오.** 전원 코드를 잡고 전동공구를 운반해서는 안 되며, 콘센트에서 전원 플러그를 뽑을 때 전원 코드를 잡아 당겨서는 절대로 안 됩니다. 전원 코드가 열과 오일에 접촉하는 것을 피하고, 날카로운 모서리나 기기의 가동 부위에 닿지 않도록 주의 하십시오. 손상되거나 영긴 전원 코드는 감전을 유발할 수 있습니다.
- ▶ **실외에서 전동공구로 작업할 때는 실외용으로 적당한 연장 전원 코드만을 사용하십시오.** 실외용 연장 전원 코드를 사용하면 감전의 위험을 줄일 수 있습니다.
- ▶ **전동공구를 습기 찬 곳에서 사용해야 할 경우에는 누전 차단기를 사용하십시오.** 누전 차단기를 사용하면 감전 위험을 줄일 수 있습니다.

사용자 안전

- ▶ 신중하게 작업하며, 전동공구를 사용할 때 경솔하게 행동하지 마십시오. 피로한 상태이거나 악물 복음 및 음주 후에는 전동공구를 사용하지 마십시오. 전동공구를 사용할 때 잠시라도 주의가 산만해지면 충상을 입을 수 있습니다.
- ▶ 작업자 안전을 위한 장치를 사용하십시오. 항상 보안경을 착용하십시오. 전동공구의 종류와 사용에 따라 먼지 보호 마스크, 미끄러지지 않는 안전한 신발, 안전모 또는 귀마개 등의 안전한 복장을 하면 상해의 위험을 줄일 수 있습니다.
- ▶ 실수로 기기가 작동되지 않도록 주의하십시오. 전동공구를 전원에 연결하거나 배터리를 끼우기 전에, 혹은 기기를 들거나 운반하기 전에, 전원 스위치가 꺼져 있는지 다시 확인하십시오. 전동공구를 운반할 때 전원 스위치가 손가락을 대거나 전원 스위치가 켜진 상태에서 전원을 연결하면 사고 위험이 높습니다.
- ▶ 전동공구를 사용하기 전에 조절하는 톨이나 키 등을 빼 놓으십시오. 회전하는 부위에 있는 톨이나 키로 인해 상처를 입을 수 있습니다.
- ▶ 자신을 과신하지 마십시오. 불안정한 자세를 피하고 항상 평형을 이룬 상태로 작업하십시오. 안정된 자세와 평형한 상태로 작업해야만이 의외의 상황에서도 전동공구를 안전하게 사용할 수 있습니다.
- ▶ 알맞은 작업복을 입으십시오. 험령한 복장을 하거나 장신구를 착용하지 마십시오. 머리나 옷 또는 장갑이 가동하는 기기 부위에 가까이 닿지 않도록 주의하십시오. 험령한 복장, 장신구 혹은 긴 머리는 가동 부위에 말려 사고를 초래할 수 있습니다.
- ▶ 분진 추출장치나 수거장치의 조립이 가능한 경우, 이 장치가 연결되어 있는지, 제대로 작동이 되는지 확인하십시오. 이러한 분진 추출장치를 사용하면 분진으로 인한 사고 위험을 줄일 수 있습니다.

전동공구의 올바른 사용과 취급

- ▶ 기기를 과부하 상태에서 사용하지 마십시오. 작업할 때 이에 적당한 전동공구를 사용하십시오. 알맞은 전동공구를 사용하면 지정된 성능 한도 내에서 더 효율적으로 안전하게 작업할 수 있습니다.
- ▶ 전원 스위치가 고장 난 전동공구를 사용하지 마십시오. 전원 스위치가 작동되지 않는 전동공구는 위험하므로, 반드시 수리를 해야 합니다.
- ▶ 기기에 세팅을 하거나 액세서리 부품을 교환하거나 혹은 기기를 보관할 때, 항상 전원 콘센트에서 플러그를 미리 빼어 놓으십시오. 이러한 조치는 실수로 전동공구가 작동하게 되는 것을 예방합니다.
- ▶ 사용하지 않는 전동공구는 어린이 손이 닿지 않는 곳에 보관하고, 전동공구 사용에 익숙지 않거나 이 사용 설명서를 읽지 않은 사람은 기기를 사용해서는 안됩니다. 경험이 없는 사람이 전동공구를 사용하면 위험합니다.

- ▶ 전동공구를 조심스럽게 관리하십시오. 가동 부위가 하자 없이 정상적인 기능을 하는지, 걸리는 부위가 있는지, 혹은 전동공구의 기능에 중요한 부품이 손상되지 않았는지 확인하십시오. 손상된 기기의 부품은 전동공구를 다시 사용하기 전에 반드시 수리를 맡기십시오. 제대로 관리하지 않은 전동공구의 경우 많은 사고를 유발합니다.
- ▶ 절단 공구를 날카롭고 깨끗하게 관리하십시오. 날카로운 절단면이 있고 잘 관리된 절단공구는 걸리는 경우가 드물고 조절하기도 쉽습니다.
- ▶ 전동공구, 액세서리, 장착하는 공구 등을 사용할 때, 이 지시 사항과 특별히 기종 별로 나와있는 사용 방법을 준수하십시오. 이때 작업 조건과 실시하려는 작업 내용을 고려하십시오. 원래 사용 분야가 아닌 다른 작업에 전동공구를 사용할 경우 위험한 상황을 초래할 수 있습니다.

충전 전동공구의 올바른 사용과 취급

- ▶ 배터리를 충전할 때 제조 회사가 추천하는 충전기만을 사용하여 재충전해야 합니다. 특정 제품의 배터리를 위하여 제조된 충전기에 적합하지 않은 다른 배터리를 충전할 경우 화재 위험이 있습니다.
- ▶ 각 전동공구용으로 나와있는 배터리만을 사용하십시오. 다른 종류의 배터리를 사용하면 상해를 입거나 화재를 초래할 수 있습니다.
- ▶ 배터리를 사용하지 않을 때는, 각 극을 자극 할 수 있는 페이퍼 클립, 동전, 열쇠, 못, 나사 등 유사한 금속성 물체와 멀리하여 보관하십시오. 배터리 극 사이에 쇼트가 일어나 화상을 입거나 화재를 야기할 수 있습니다.
- ▶ 배터리를 잘못 사용하면 누수가 생길 수 있습니다. 누수가 생긴 배터리에 닿지 않도록 하십시오. 피부에 접촉하게 되었을 경우 즉시 물로 씻으십시오. 유체가 눈에 닿았을 경우 바로 의사와 상담하십시오. 배터리에서 나오는 유체는 피부에 자극을 주거나 화상을 입힐 수 있습니다.

서비스

- ▶ 전동공구 수리는 반드시 전문 인력에게 맡기고, 수리 정비 시 보쉬 순정 부품만을 사용하십시오. 그렇게 함으로써 기기의 안전성을 오래 유지할 수 있습니다.

드릴 머신과 스크류 드라이버 관련 안전 수칙

- ▶ 임팩 드릴링 작업 시 방을 보호구를 착용하십시오. 소음에 노출되면 청력을 상실할 수 있습니다.
- ▶ 공구에 보조 손잡이가 함께 공급된 경우, 보조 손잡이를 사용하십시오. 통제력을 상실하면 부상을 입을 수 있습니다.
- ▶ 보이지 않는 부위에 에너지 배선 및 배관 여부를 확인하려면 적당한 탐지기를 사용하거나 담당 전력 공급회사에 문의하십시오. 전선에 접하게 되면 화재나 전기 충격을 야기할 수 있습니다. 가스관을 손상시키면 폭발 위험이 있습니다. 수도관을 파손하게 되면 재산 피해를 야기할 수 있습니다.

- ▶ **절단용 액세서리 또는 파스너가 숨겨진 배선에 접촉할 가능성이 있는 작업을 수행할 경우, 전동 공구의 절연된 손잡이 면만 잡으십시오.** 절단용 액세서리 및 파스너가 "전류가 흐르는" 전선에 접촉되면, 전동공구의 노출된 금속 부품에 "전류가 흐르는" 상태로 만들어 작업자가 감전될 수 있습니다.
- ▶ **전동 공구를 잘 잡으십시오.** 스크류를 조이거나 풀 때 잠깐 동안 높은 반력 토크가 발생할 수 있습니다.
- ▶ **작업물을 잘 고정하십시오.** 고정장치나 기계 바이스에 끼워서 작업하면 손으로 잡는 것보다 더 안전합니다.
- ▶ **전동공구를 내려놓기 전에 기기가 완전히 멈추었는지 확인하십시오.** 삽입공구가 걸리거나 전동공구에 대한 통제가 어려워질 수 있습니다.
- ▶ **배터리가 손상되었거나 잘못 사용될 경우 증기가 발생할 수 있습니다. 배터리에서 화재가 발생하거나 폭발할 수 있습니다.** 작업장을 환기시키고, 필요한 경우 의사와 상담하십시오. 증기로 인해 호흡기가 자극될 수 있습니다.
- ▶ **배터리를 분해하지 마십시오.** 단락이 발생할 위험이 있습니다.
- ▶ **못이나 스크류 드라이버 같은 뾰족한 물체 또는 외부에서 오는 충격 등으로 인해 축전지가 손상될 수 있습니다.** 내부 단락이 발생하여 배터리가 타거나 연기가 발생하고, 폭발 또는 과열될 수 있습니다.
- ▶ **제조사사의 배터리 제품만 사용하십시오.** 그래야만 배터리 과부하의 위험을 방지할 수 있습니다.



배터리를 태양 광선 등 고열에 장시간 노출되지 않도록 하고 불과 물, 수분이 있는 곳에 두지 마십시오. 폭발 위험이 있습니다.

제품 및 성능 설명



모든 안전 수칙과 지침을 숙지하십시오. 다음의 안전 수칙과 지침을 준수하지 않으면 화재 위험이 있으며 감전 혹은 중상을 입을 수 있습니다.

사용 설명서 앞 부분에 제시된 그림을 확인하십시오.

규정에 따른 사용

본 전동공구는 나사를 돌려 끼우거나 푸는 작업, 목재, 금속, 세라믹 및 플라스틱에 드릴 작업에 사용됩니다. 그 외에도 GSB는 벽돌에서 임팩트 드릴 작업을 할 때 사용됩니다.

제품의 주요 명칭

제품의 주요 명칭에 표기되어 있는 번호는 기기 그림이 나와있는 면을 참고하십시오.

- (1) 톨 홀더
- (2) 키레스 척
- (3) 토크 설정 링
- (4) 작동모드 선택 스위치 (GSB 10.8V-30의 경우만)
- (5) 기어 선택 스위치
- (6) 회전방향 선택 스위치
- (7) 배터리 잠금 해제 버튼 ^{A)}
- (8) 배터리 ^{A)}
- (9) 손잡이 (절연된 손잡이 부위)
- (10) 전원 스위치
- (11) 배터리 충전상태 표시기
- (12) "PowerLight" 램프
- (13) 스크류 드라이버 비트 ^{A)}
- (14) 유니버설 비트 홀더 ^{A)}

A) 도면이나 설명서에 나와있는 액세서리는 표준 공급품에 속하지 않습니다. 전체 액세서리는 저희 액세서리 프로그램을 참고하십시오.

제품 사양

충전 스크류 드라이버		GSR 10.8V-30	GSB 10.8V-30
제품 번호		3 601 JG9 0..	3 601 JG9 1..
경격 전압	V=	10.8	10.8
무부하 속도			
- 1단	min ⁻¹	0-420	0-420
- 2단	min ⁻¹	0-1600	0-1600
타격률		-	0-24000
ISO 5393에 따른 경질/연질 스크류 작업 시 최대 토크	Nm	30/18 ^{A)}	30/18 ^{A)}
최대 드릴 Ø (1단/2단)			
- 벽돌	mm	-	8
- 철재	mm	10	10
- 목재	mm	20	20

14 | 한국어

충전 스크류 드라이버		GSR 10.8V-30	GSB 10.8V-30
최대 스크류 직경	mm	8	8
EPTA-Procedure 01:2014에 따른 중량	kg	0.90	1.0
허용되는 주변 온도			
- 충전 시	°C	0... +45	0... +45
- 작동 시 ^{A)} 및 보관 시	°C	-20... +50	-20... +50
권장 배터리		GBA 10.8V..	GBA 10.8V..
권장하는 충전기		AL 11.. CV	AL 11.. CV
		GAL 12.. CV	GAL 12.. CV
		GAL 12V-..	GAL 12V-..
		GAX 18V-30	GAX 18V-30

A) 사용하는 배터리에 따라 상이

B) 온도 <0 °C일 때 출력 제한

조립

- ▶ **전동공구에 각종 작업(보수 정비 및 액세서리 교환 등)을 하거나 전동공구를 운반하거나 보관할 경우 배터리를 전동공구에서 빼십시오.** 실수로 전원 스위치가 작동하게 되면 상해를 입을 위험이 있습니다.

배터리 분리하기(그림 A 참조)

- ▶ **부품 안내서에 명시된 충전기만 사용하십시오.** 이 충전기만이 귀하의 전동공구에 사용된 리튬-이온 배터리에 적합합니다.

지침: 배터리는 일부 충전되어 공급됩니다. 배터리의 성능을 완전하게 보장하기 위해서는 처음 사용하기 전에 배터리를 충전기에 완전히 충전하십시오. 리튬이온 배터리는 항상 충전할 수 있으며, 이로 인해 수명이 단축되지 않습니다. 충전을 하다 중간에 중지해도 배터리가 손상되지 않습니다.

리튬이온 배터리는 “전자 셀 보호(ECP)” 기능이 있어 과도하게 방전되지 않습니다. 배터리 방전 시 충전 청소기는 보호 회로에 의해 꺼집니다.

- ▶ **전동공구가 자동으로 작동이 중단된 경우 전원 스위치를 계속 누르지 마십시오.** 배터리가 손상될 수 있습니다.

배터리 (8) 을 분리하려면 배터리 해제 버튼 (7) 을 누른 상태에서 배터리를 전동공구 아래쪽으로 당겨 내십시오. **무리하게 힘을 가하지 마십시오.**

폐기처리에 관련된 지시 사항을 준수하십시오.

공구 교환(그림 B 참조)

전원 스위치 (10) 를 누르지 않은 상태에서는 드릴 스피들이 잠겨 있습니다. 이를 통해 드릴 척에서 신속하고 간편하게 비트를 교환할 수 있습니다.

공구가 삽입될 때까지 키레스 척 (2) 을 회전 방향 ① 로 돌려 푸십시오. 공구를 끼우십시오.

키레스 척 (2) 의 슬리브를 손으로 힘을 가해 회전 방향 ② 로 돌려 잠그십시오. GSB의 경우 '찰칵'하는 소리가 들려야 합니다. 드릴 척이 자동으로 잠깁니다.

비트를 빼기 위해 슬리브를 반대 방향으로 돌리면 잠금 상태가 다시 해제됩니다.

분진 및 톱밥 추출장치

납 성분을 포함한 페인트나 몇몇 나무 종류, 또는 광물 성분 그리고 철과 같은 재료의 분진은 건강을 해칠 수 있습니다. 이 분진을 만지거나 호흡할 경우, 사용자나 주변 사람들은 알레르기 반응이나 호흡기 장애를 일으킬 수 있습니다.

떡갈나무나 너도밤나무와 같은 특정한 분진은 암을 유발시키며, 특히 목재 처리용으로 사용되는 부가 원료(크로마트, 목재 보호제)와 혼합되면 암을 유발시키게 됩니다. 석면 성분을 포함한 재료는 오직 전문가가 작업을 해야 합니다.

- 작업장의 통풍이 잘 되도록 하십시오.
- 필터등급 P2에 해당되는 호흡 마스크를 사용하십시오.

작업용 재료에 관해 국가가 지정한 규정을 고려하십시오.

- ▶ **작업장에 분진이 쌓이지 않도록 하십시오.** 분진이 쉽게 발화할 수 있습니다.

작동

기계 시동

배터리 장착하기

지침: 전동공구에 적합하지 않은 배터리를 사용하면 전동공구에 기능 장애가 생겨 기기가 손상될 수 있습니다.

회전방향 선택 스위치 (6) 를 중앙에 위치시키면, 의도치 않게 전원이 켜지는 것을 방지할 수 있습니다. 충전된 배터리 (8) 를 손잡이 안에 넣고 제대로 걸리는 느낌이 들 때까지 정확하게 장착합니다.

회전방향 설정하기(그림 C 참조)

회전방향 선택 스위치 (6) 를 이용해 전동공구의 회전방향을 변경할 수 있습니다. 전원 스위치 (10) 가 눌린 상태에서는 변경할 수 없습니다.

우회전: 드릴 작업 및 볼트를 돌려 끼우려면 회전방향 선택 스위치 (6) 를 좌측 끝까지 누르십시오.

좌회전: 볼트 및 너트를 풀거나 돌려 빼려면 회전방향 선택 스위치 (6) 를 우측 끝까지 미십시오.

작동 모드 설정하기



드릴 작업

GSR 10.8V-30:

토크 설정 링 (3) 위치는 항상 “드릴 작업” 기호로 두십시오.

GSB 10.8V-30:

작동모드 선택 스위치 (4) 를 “드릴 작업” 기호에 둡니다.



나사

GSR 10.8V-30:

토크 설정 버튼 (3) 을 돌려 원하는 토크로 설정하십시오.

GSB 10.8V-30:

작동모드 선택 스위치 (4) 를 “스크류 작업” 기호에 둡니다.

토크 설정 링 (3) 을 돌려 원하는 토크로 설정하십시오.



임팩트 드릴 작업

GSR 10.8V-30:

작동모드 선택 스위치 (4) 를 “임팩트 드릴 작업” 기호에 둡니다.

토크 설정하기

토크 설정 링 (3) 을 이용하여 필요한 토크를 20단계에서 사전에 선택할 수 있습니다. 올바르게 설정하면, 나사못이 작업물과 평면이 되게 끼워지거나 설정된 토크에 이르게 되면 드릴 비트가 자동으로 정지합니다. 위치에서 과부하 클러치는 비활성화됩니다(예: 드릴 작업).

나사를 돌려 빼낼 때 필요에 따라 더 높게 설정되도록 선택하거나 기호로 설정하십시오.

기계식 기어 선택

▶ 전동공구가 정지된 상태에서만 기어 선택 스위치 (5) 를 누르십시오.

기어 선택 스위치 (5) 를 이용해 두 개의 회전영역을 사전 선택할 수 있습니다.

기어 I단:

저속 범위; 스크류 작업과 드릴 직경이 넓은 곳에 작업할 경우.

기어 II단:

높은 속도 범위; 가는 드릴 비트로 작업할 때.

기어 선택 스위치 (5) 가 스톱 위치까지 이동되지 않으면, 톨 홀더 (1) 를 삽입공구와 함께 약간 돌리십시오.

전원 스위치 작동

전동공구를 작동하려면 전원 스위치 (10) 를 누르고 누른 상태를 유지하십시오.

전원 스위치 (10) 를 약간 또는 끝까지 누르면 램프 (12) 가 점등되기 때문에 조명 상태가 안 좋을 경우 작업 영역을 비출 수 있습니다.

전동공구의 스위치를 끄려면 전원 스위치 (10) 에서 손을 떼면 됩니다.

속도 조절

전원 스위치 (10) 를 밀어 이동시키는 만큼 전원이 켜진 전동공구의 회전속도를 조절할 수 있습니다.

전원 스위치 (10) 를 약간만 밀면 속도가 낮아집니다. 세게 누르면 속도가 빨라집니다.

회전속도/타격을 조절하기(GSB 10.8V-30)

전원이 켜진 전동공구의 속도/타격률은 전원 스위치 (10) 를 움직이는 정도에 따라 자유롭게 조절할 수 있습니다.

전원 스위치 (10) 쪽으로 약간만 밀면 낮은 속도/타격률이 설정됩니다. 좀 더 세게 누르면 속도/타격률이 증가합니다.

전자동 스펀들 잠금장치(Auto-Lock)

전원 스위치 (10) 를 누르지 않은 상태에서는 드릴 스펀들과 톨 홀더가 잠겨 있습니다.

이로 인해 방전 상태의 배터리로 나사못을 조이는 것과 전동공구를 스크류 드라이버로 사용하는 것이 가능합니다.

잔여 회전 브레이크

전원 스위치 (10) 에서 손을 떼면 드릴 척이 제동되면서 비트의 오버런이 방지됩니다.

나사를 돌려 끼울 때 나사가 가공물에 밀착선이 되면 전원 스위치 (10) 에서 손을 떼십시오. 그러면 나사 헤드가 가공물 안으로 들어가지 않습니다.

배터리 충전상태 표시기

배터리 충전상태 표시기 (11) 는 전원 스위치 (10) 를 몇 초 동안 절반 또는 끝까지 누르면 배터리 충전 상태를 보여주며, 3개의 녹색 LED로 구성되어 있습니다.

LED	용량
연속등 3 x 녹색	≥ 2/3
연속등 2 x 녹색	≥ 1/3
연속등 1 x 녹색	< 1/3
점멸등 1 x 녹색	예비

온도에 따른 과부하 방지 기능

규정에 맞게 사용할 때 전동공구의 과부하를 방지할 수 있습니다. 과도하게 부하가 가해지거나 허용되는 배터리 온도 범위를 벗어나면 회전속도가 줄어듭니다. 전동공구는 허용되는 배터리 온도 범위에 도달한 후에 다시 전속력으로 작동됩니다.

사용 방법

▶ 전동공구의 스위치가 꺼진 상태에서만 볼트/너트에 대십시오. 회전하는 드릴 비트가 미끄러질 수 있습니다.

낮은 회전속도로 장시간 작업한 후에는 냉각을 위해 전동공구를 약 3분간 최대 회전속도로 공회전시키십시오.

금속에 드릴 작업을 할 경우에는 항상 하자가 없는 날카로운 HSS 드릴 비트(HSS = 하이 스피드 스틸)만 사용하십시오. **Bosch** 액세서리 제품군은 이에 상응하는 품질을 보증합니다.

경질 작업 소재에 크고 긴 스크류를 끼우기 전에, 나사산의 중심 직경으로 스크류 길이의 약 2/3 에 해당하는 깊이로 초기 드릴 작업을 하는 것이 좋습니다.

운반 단락에 나와 있는 지침을 참고하십시오 (참조 „운반“, 페이지 16).

보수 정비 및 서비스

보수 정비 및 유지

- ▶ **전동공구에 각종 작업(보수 정비 및 액세서리 교환 등)을 하거나 전동공구를 운반하거나 보관할 경우 배터리를 전동공구에서 빼십시오.** 실수로 전원 스위치가 작동하게 되면 상해를 입을 위험이 있습니다.
- ▶ **안전하고 올바른 작동을 위하여 전동공구와 전동공구의 통풍구를 항상 깨끗이 하십시오.**

AS 센터 및 사용 문의

AS 센터에서는 귀하 제품의 수리 및 보수정비, 그리고 부품에 관한 문의를 받고 있습니다. 대체 부품에 관한 분해 조립도 및 정보는 인터넷에서도 찾아 볼 수 있습니다

- www.bosch-pt.com

보수 사용 문의 팀에서는 보수의 제품 및 해당 액세서리에 관한 질문에 기꺼이 답변 드릴 것입니다.

문의나 대체 부품 주문 시에는 반드시 제품 네임 플레이트에 있는 10자리의 부품번호를 알려 주십시오.

콜센터

080-955-0909

운반

포함되어 있는 리튬이온 배터리는 위험물 관련 규정을 따라야 합니다. 별도의 요구사항 없이 배터리를 사용자가 직접 도로 상에서 운반할 수 있습니다.

제3자를 통해 운반할 경우(항공 운송이나 운송 회사 등) 포장과 표기에 관한 특별한 요구 사항을 준수해야 합니다. 이 경우 발송 준비를 위해 위험물 전문가와 상담해야 합니다.

표면이 손상되지 않은 배터리만 사용하십시오. 배터리의 접촉 단자면을 덮어 붙인 상태로 내부에서 움직이지 않도록 배터리를 포장하십시오. 또한 이와 관련한 국내 규정을 준수하십시오.

처리



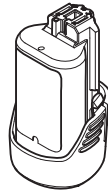
전동공구, 배터리, 액세서리 및 포장은 환경 친화적인 방법으로 재활용 수 있도록 분류하십시오.



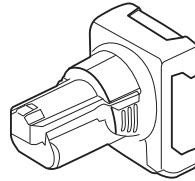
전동공구와 충전용 배터리/배터리를 가정용 쓰레기로 처리하지 마십시오!

충전용 배터리/배터리:

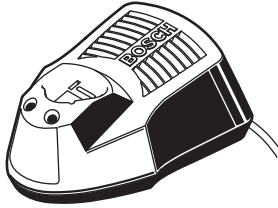
리튬이온:



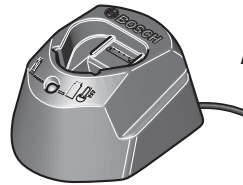
GBA 10.8V...



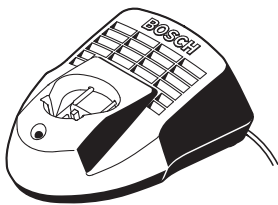
GBA 10.8V...



GAL 1230 CV



AL 1110 CV



GAL 1215 CV



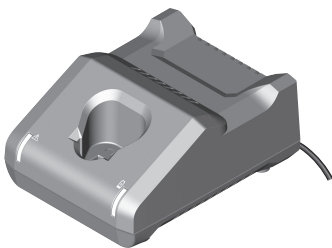
AL 1115 CV



GAL 12V-20



AL 1130 CV



GAL 12V-40



GAX 18V-30

Licenses

Copyright © 2009 - 2013 ARM LIMITED

All rights reserved.

Redistribution and use in source and binary forms, with or without modification, are permitted provided that the following conditions are met:

- Redistributions of source code must retain the above copyright notice, this list of conditions and the following disclaimer.
- Redistributions in binary form must reproduce the above copyright notice, this list of conditions and the following disclaimer in the documentation and/or other materials provided with the distribution.
- Neither the name of ARM nor the names of its contributors may be used to endorse or promote products derived from this software without specific prior written permission.

THIS SOFTWARE IS PROVIDED BY THE COPYRIGHT HOLDERS AND CONTRIBUTORS "AS IS" AND ANY EXPRESS OR IMPLIED WARRANTIES, INCLUDING, BUT NOT LIMITED TO, THE IMPLIED WARRANTIES OF MERCHANTABILITY AND FITNESS FOR A PARTICULAR PURPOSE ARE DISCLAIMED. IN NO EVENT SHALL THE COPYRIGHT OWNER OR CONTRIBUTORS BE LIABLE FOR ANY DIRECT, INDIRECT, INCIDENTAL, SPECIAL, EXEMPLARY, OR CONSEQUENTIAL DAMAGES (INCLUDING, BUT NOT LIMITED TO, PROCUREMENT OF SUBSTITUTE GOODS OR SERVICES; LOSS OF USE, DATA, OR PROFITS; OR BUSINESS INTERRUPTION) HOWEVER CAUSED AND ON ANY THEORY OF LIABILITY, WHETHER IN CONTRACT, STRICT LIABILITY, OR TORT (INCLUDING NEGLIGENCE OR OTHERWISE) ARISING IN ANY WAY OUT OF THE USE OF THIS SOFTWARE, EVEN IF ADVISED OF THE POSSIBILITY OF SUCH DAMAGE.

Copyright © 2015, Infineon Technologies AG

All rights reserved.

Redistribution and use in source and binary forms, with or without modification, are permitted provided that the following conditions are met:

- Redistributions of source code must retain the above copyright notice, this list of conditions and the following disclaimer.
- Redistributions in binary form must reproduce the above copyright notice, this list of conditions and the following disclaimer in the documentation and/or other materials provided with the distribution.
- Neither the name of the copyright holders nor the names of its contributors may be used to endorse or promote products derived from this software without specific prior written permission.

THIS SOFTWARE IS PROVIDED BY THE COPYRIGHT HOLDERS AND CONTRIBUTORS "AS IS" AND ANY EXPRESS OR IMPLIED WARRANTIES, INCLUDING, BUT NOT LIMITED TO, THE IMPLIED WARRANTIES OF MERCHANTABILITY AND FITNESS FOR A PARTICULAR PURPOSE ARE DISCLAIMED. IN NO EVENT SHALL THE COPYRIGHT OWNER OR CONTRIBUTORS BE LIABLE FOR ANY DIRECT, INDIRECT, INCIDENTAL, SPECIAL, EXEMPLARY, OR CONSEQUENTIAL DAMAGES (INCLUDING, BUT NOT LIMITED TO, PROCUREMENT OF SUBSTITUTE GOODS OR SERVICES; LOSS OF USE, DATA, OR PROFITS; OR BUSINESS INTERRUPTION) HOWEVER CAUSED AND ON ANY THEORY OF LIABILITY, WHETHER IN CONTRACT, STRICT LIABILITY, OR TORT (INCLUDING NEGLIGENCE OR OTHERWISE) ARISING IN ANY WAY OUT OF THE USE OF THIS SOFTWARE, EVEN IF ADVISED OF THE POSSIBILITY OF SUCH DAMAGE.